

CDD-2
1M 04-98
Printed In USA
©1998, Coffing Hoists

COFFING® Dimensional Databook

For more information contact:
American Crane & Equipment Corp.
Authorized Distributor
Tel: 877-503-2972
Fax: 484-945-0430
sales@americancrane.com
www.americancrane.com

Dimensional Drawings & Related Technical Information

Electric and Air Chain Hoists, Hand Chain Hoists,
Ratchet Lever Hoists, Trolleys, and Miscellaneous Products

COFFING®
HOISTS

Country Club Road • P.O. Box 779 • Wadesboro, NC 28170 • Phone (800) 477-5003 FAX (800) 374-6853

High Performance Lifting[™]
COFFING[®]
HOISTS



Country Club Road • P.O. Box 779 • Wadesboro, NC 28170 • **Phone** (800) 477-5003 **FAX** (800) 374-6853

Dimensional Databook

TABLE OF CONTENTS



Safe Hoisting Operations - Manual	4
Safe Hoisting Operations - Powered	5
Typical Motor Amperage by HP and Voltage	6
I-Beam Specifications	7
How To Specify Electric Chain Model Numbers	8
Chain Containers	9
Basic Information For Selecting Hoists/Products	10 - 13
Chain & Hook Information	14 - 20
Wire Rope & Hook Information	21 - 23
Lug Suspension	24
EC Hoists - Hook Mount	25 - 28
EC Hoists - Lug Mount	28 - 32
EC Hoists - Plain Trolley	33 - 37
EC Hoists - Geared Trolley	38 - 42
EC Hoists - Motorized Trolley	43 - 47
EC Hoists - Extended Duty	48 - 53
EC Hoists - Turnover Hoist	54, 55
ELC Hoists	56 - 58
EMC, EMW	59
ESC	60
CAH	61 - 64
AC	65
TMM	66
Air Balancer	67
LHH	68
CA, CB	69
CTH	70
AT	71
YLH	72
ET-A	73
CT	74 - 77
CY	78
HT	79, 80
LT	81, 82
MT	83, 84
AMT	85
BC	86
LSB-A	87
PA	88
MA, MAL	89
RA	90
G Series	91
Cable Model	92
Bridge Crane Kits	93
Articulated Jib Arms	94, 95
Warranty	96

Safe Hoisting Operations

Recommendations To Avoid Injury and Property Damage



Do's

1. **Do** read *ASME/ANSI B30 Series Safety Standard for Manually Operated Hoists* and check with ANSI for any further revisions.
2. **Do** read Hoist Manufacturer's Operating and Maintenance Instructions.
3. **Do** be familiar with operating controls, procedures, and warnings on the unit.
4. **Do** make sure that the unit is securely attached to a suitable support before applying load.
5. **Do** maintain firm footing or be otherwise secured when operating unit.
6. **Do** make sure that load slings or other approved single attachments are properly sized and seated in the hook saddle.
7. **Do** make sure the hook latches, if used, are closed and not supporting any part of the load.
8. **Do** make sure that the load is free to move and will clear all obstructions.
9. **Do** take up slack carefully, check the load balance, move the load a few inches, and check load holding action before continuing.
10. **Do** make sure all persons stay clear of the suspended or supported load.
11. **Do** avoid swinging of load or load hook.
12. **Do** protect load chain from weld spatter or other damaging contaminants.
13. **Do** avoid "fly-back" by keeping a firm grip on the lever (ratchet lever hoist) until operating stroke is completed and the lever is at rest.
14. **Do** promptly report any malfunction, unusual performance, or damage of the unit.
15. **Do** inspect unit regularly, replace damaged or worn parts, and keep appropriate records of maintenance.
16. **Do** use the Hoist Manufacturer's recommended parts when repairing unit.
17. **Do** use hook latches wherever possible.
18. **Do** apply lubricant to load chain as recommended by the Hoist Manufacturer.



Don'ts

1. **Do Not** lift or pull more than rated load.
2. **Do Not** use hoist load limiting device to measure the load.
3. **Do Not** use damaged hoist or hoist that is not working correctly.
4. **Do Not** use hoist with twisted, kinked, damaged, or worn chain.
5. **Do Not** lift a load unless chain is properly seated in chain wheel(s) or sprocket(s).
6. **Do Not** use load chain as a sling or wrap load chain around the load.
7. **Do Not** lift a load if any binding prevents equal loading on all supporting chains.
8. **Do Not** apply the load to the tip of the hook.
9. **Do Not** operate unless load is centered under hoist.
10. **Do Not** operate the unit when it is restricted from adjusting itself to form a straight line with the direction of loading.
11. **Do Not** operate hoist with other than manual power.
12. **Do Not** permit more than one operator to pull on a single hand chain or lever at one time.
13. **Do Not** operate unit with any lever extension (cheater bar).
14. **Do Not** allow your attention to be diverted from operating the hoist.
15. **Do Not** operate hoist beyond limits of load chain travel.
16. **Do Not** use hoist to lift, support, or transport people.
17. **Do Not** lift loads over people.
18. **Do Not** leave a suspended load unattended unless specific precautions have been taken.
19. **Do Not** attempt to "free chain" unit with any load applied.
20. **Do Not** allow sharp contact between two hoists or between hoist and obstructions.
21. **Do Not** allow the chain or hook to be used as a ground for welding.
22. **Do Not** allow the chain or hook to be touched by a live welding electrode.
23. **Do Not** remove or obstruct the warnings on the hoist.
24. **Do Not** adjust or repair a hoist unless qualified to perform hoist maintenance.
25. **Do Not** attempt to lengthen the load chain or repair damaged load chain.

Safe Hoisting Operations

Recommendations To Avoid Injury and Property Damage



Do's

1. **Do** read *ASME/ANSI B30 Series Safety Standard for Electric and Air Powered Hoists* and check with ANSI for any further revisions.
2. **Do** read Hoist Manufacturer's Operating and Maintenance Instructions.
3. **Do** be familiar with operating controls, procedures, and warnings on the unit.
4. **Do** make sure hook travel is in the same direction as shown on controls.
5. **Do** make sure hoist limit switches function properly.
6. **Do** maintain firm footing when operating hoist.
7. **Do** make sure that load slings or other approved single attachments are properly sized and seated in the hook saddle.
8. **Do** make sure the hook latches, if used, are closed and not supporting any part of the load.
9. **Do** make sure that the load is free to move and will clear all obstructions.
10. **Do** take up slack carefully, check the load balance, move the load a few inches, and check load holding action before continuing.
11. **Do** avoid swinging of load or load hook.
12. **Do** make sure that all persons stay clear of the suspended load.
13. **Do** warn personnel of an approaching load.
14. **Do** protect wire rope and load chain from weld spatter or other damaging contaminants.
15. **Do** promptly report any malfunction, unusual performance, or damage of the unit.
16. **Do** inspect unit regularly, replace damaged or worn parts, and keep appropriate records of maintenance.
17. **Do** use the Hoist Manufacturer's recommended parts when repairing unit.
18. **Do** use hook latches wherever possible.
19. **Do** apply lubricant to the wire rope or load chain as recommended by the Hoist Manufacturer.



Don'ts

1. **Do Not** lift more than rated load.
2. **Do Not** use hoist load limiting device to measure the load.
3. **Do Not** use damaged hoist or hoist that is not working correctly.
4. **Do Not** use hoist with twisted, kinked, damaged, or worn wire rope or chain.
5. **Do Not** lift a load unless wire rope is properly seated in its groove(s) or unless chain is properly seated in chain wheel(s) or sprocket(s).
6. **Do Not** use load rope or load chain as a sling or wrap load rope or load chain around the load.
7. **Do Not** lift a load if any binding prevents equal loading on all supporting ropes and chains.
8. **Do Not** apply the load to the tip of the hook.
9. **Do Not** operate unless load is centered under hoist.
10. **Do Not** allow your attention to be diverted from operating the hoist.
11. **Do Not** operate hoist beyond limits of load rope or load chain travel.
12. **Do Not** use limit switches as routine operating stops unless recommended. They are emergency devices only.
13. **Do Not** use hoist to lift, support, or transport people.
14. **Do Not** lift loads over people.
15. **Do Not** leave a suspended load unattended unless specific precautions have been taken.
16. **Do Not** allow sharp contact between two hoists or between hoist and obstructions.
17. **Do Not** allow the wire rope, chain, or hook to be used as a ground for welding.
18. **Do Not** allow the wire rope, chain, or hook to be touched by a live welding electrode.
19. **Do Not** remove or obstruct the warnings on the hoist.
20. **Do Not** adjust or repair a hoist unless qualified to perform hoist maintenance.
21. **Do Not** attempt to lengthen the load chain or repair damaged load chain.

Typical Motor Amperage by HP and Voltage

Single Phase Motor Amperes

HP / VOLTS	115V	230 V		
1/4	5.8	2.9		
1/2	9.8	4.9		
3/4	13.8	6.9		
1	17.0	8.5		

Three Phase (Single Speed) Motor Amperes

HP / VOLTS	208V	230V	460V	575V
1/4	1.6	1.4	.7	.6
1/2	2.4	2.2	1.1	.9
3/4	3.5	3.2	1.6	1.3
1	4.6	4.2	2.1	1.7
2	7.5	6.8	3.4	2.7
3	10.6	9.6	4.8	3.9
5	16.7	15.2	7.6	6.1

Three Phase (Two Speed) Motor Amperes

HP / VOLTS	208V	230V	460V	575V
1/4	1.1 / 1.2	1.0 / 1.1	.51 / .50	.40 / .40
1/2	1.9 / 2.3	1.7 / 2.1	.85 / 1.1	.68 / .88
3/4	3.3 / 3.8	3.0 / 3.4	1.5 / 1.7	1.2 / 1.4
1	4.0 / 4.6	3.6 / 4.2	1.8 / 2.1	1.5 / 1.9
2	6.7 / 6.6	6.2 / 6.6	3.1 / 3.2	2.5 / 2.6
3	10.0 / 9.0	10.2 / 8.0	5.1 / 4.0	4.3 / 3.2
5	17.7 / 15.9	16.0 / 14.4	8.0 / 7.2	6.4 / 5.8

NOTE: Tables are provided as a guide only.

Where exact amperage is required for a specific motor, please contact the factory.

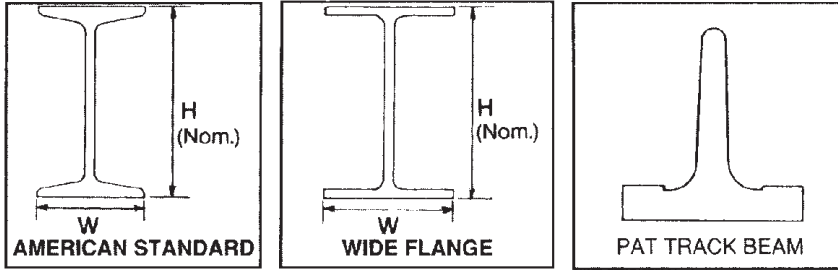
Please contact the factory for other voltages not listed.

Class F Motor Insulation, Class B Temperature Rise

Single Speed Motors 1725 RPM, Two Speed Motors 1725/575 RPM.

I-Beam Specifications

The following table shows the standard sizes, flange widths and weights for both American Standard and Wide Flange I-beams. I-beams designated with an asterisk (*) denote New Series specifications which conform ASTM A6 standards, effective September 1, 1978.



American Standard			Wide Flange								
H (In.)	Weight Per Foot (Lb.)	W (In.)	H (In.)	Weight Per Foot (Lb.)	W (In.)	H (In.)	Weight Per Foot (Lb.)	W (In.)	H (In.)	Weight Per Foot (Lb.)	W (In.)
4	7.7	2.663	6	8.5	3.940	10	77	10.190	16*	50	7.070
4	9.5	2.796	6*	9	4	10*	77	10.190	16*	57	7.120
5	10	3.004	6	12	4	10*	88	10.265	16	58	8.464
5	14.75	3.284	6*	12	4	10	89	10.275	16*	67	10.235
6	12.5	3.332	6	16	4.030	10	100	10.340	16*	77	10.295
6	17.25	3.565	6*	16	4.030	10*	100	10.340	16*	89	10.365
7	15.3	3.662	6*	15	5.990	10	112	10.415	16*	100	10.425
7	20	3.860	6	15.5	5.995	10*	112	10.415	16	88	11.502
8	18.4	4.001	6	20	6.020	12	14	3.968	16	96	11.5
8	23	4.171	6*	20	6.018	12*	14	3.970	18	35	6
10	25.4	4.661	6	25	6.080	12*	16	3.990	18*	35	6
10	35	4.944	6*	25	6.080	12	16.5	4	18	40	6.015
12	31.8	5	8	10	3.940	12	19	4.005	18*	40	6.015
12	35	5.078	8*	10	3.940	12*	19	4.007	18*	46	6.060
12	40.8	5.252	8	13	4	12	22	4.030	18	45	7.477
12	50	5.477	8*	13	4	12*	22	4.030	18	50	7.5
15	42.9	5.501	8	15	4.015	12*	26	6.490	18*	50	7.5
15	50	5.640	8*	15	4.015	12	27	6.497	18	55	7.532
18	54.7	6.001	8	17	5.250	12*	30	6.520	18*	55	7.530
18	70	6.251	8*	18	5.250	12	31	6.525	18	60	7.558
20	65.4	6.25	8	20	5.268	12*	35	6.560	18*	60	7.555
20	75	6.385	8*	21	5.270	12	36	6.565	18*	71	7.635
20	86	7.060	8	24	6.495	12	40	8	18	64	8.715
20	96	7.200	8*	24	6.5	12*	40	8.005	18	70	8.75
24	79.9	7.001	8	28	6.535	12	45	8.042	18	77	8.787
24	90	7.125	8*	28	6.535	12*	45	8.045	18*	76	11.035
24	100	7.245	8	31	7.995	12	50	8.077	18*	86	11.090
24	105.9	7.875	8*	31	7.995	12*	50	8.080	18*	97	11.145
24	121	8.050	8	35	8.020	12	53	10	18*	106	11.200
			8*	35	8.020	12*	53	9.995	18*	119	11.265
			8	40	8.070	12	58	10.014	18	96	11.75
			8*	40	8.070	12*	58	10.010	21	44	6.5
			8	48	8.110	14	22	5	21*	44	6.5
			8*	48	8.110	14*	22	5	21*	50	6.530
			8	58	8.220	14	26	5.025	21*	57	6.555
			8*	58	8.220	14	26	5.025	21	55	8.215
			8	67	8.280	14	30	6.730	21	62	8.240
			8*	67	8.280	14*	30	6.730	21*	62	8.240
			10	11.5	3.950	14	34	6.75	21	68	8.270
			10*	12	3.960	14*	34	6.745	21*	68	8.270
			10	15	4	14	38	6.770	21	73	8.295
			10*	15	4	14*	38	6.770	21*	73	8.295
			10	17	4.010	14	43	8	21*	83	8.355
			10*	17	4.010	14*	43	7.995	21*	93	8.420
			10	19	4.020	14	48	8.031	21	82	8.962
			10*	19	4.020	14*	48	8.030	24	55	7.005
			10	21	5.75	14	53	8.062	24*	55	7.005
			10*	22	5.75	14*	53	8.060	24*	62	7.040
			10	25	5.762	14	61	10	24	68	8.961
			10*	26	5.770	14*	61	9.995	24*	68	8.965
			10	29	5.799	14	68	10.035	24	76	8.985
			10*	30	5.810	14	68	10.035	24*	76	8.990
			10	33	7.960	14	74	10.072	24	84	9.015
			10*	33	7.960	14*	74	10.070	24*	84	9.020
			10	39	7.985	14	78	12	24	94	9.065
			10*	39	7.985	14	87	14.900	24*	94	9.065
			10	45	8.020	14*	82	10.130			
			10*	45	8.020	16	26	5.5			
			10	49	10	16	31	5.525			
			10*	49	10	16*	31	5.525			
			10	54	10.030	16	36	6.992			
			10*	54	10.030	16*	36	6.985			
			10	60	10.080	16	40	7			
			10*	60	10.080	16*	40	6.995			
			10	66	10.117	16	45	7.039			
			10*	68	10.130	16*	45	7.035			
			10	72	10.170	16	50	7.073			

How to Specify Electric Chain Model Numbers

EC - 05 16 - 1 - 10

MODELS		CAPACITY (Lb.)		LIFT SPEED	VOLTAGE		LIFT		
EC	Electric Chain, Hook Mounted	02	250	04	4 FPM	1	115/230 V (Single-Speed)	10	10 Ft.
ELC	Electric Chain, Hook Mounted	05	500	05	5 FPM	2	230 V (Two-Speed)	15	15 Ft.
ECT	Electric Chain, w/ Plain Trolley	10	1000	06	6 FPM	3	230/460 V (Single-Speed)	20	20 Ft.
ELCET	Electric Chain, w/ Plain Trolley	20	2000	08	8 FPM	4	460 V (Two-Speed)	25	25 Ft.
ECGT	Electric Chain, w/ Geared Trolley	40	4000	09	9 FPM	5	575 V (Single-Speed)	30	30 Ft.
ECMT	Electric Chain, w/ Motorized Trolley	60	6000	10	10 FPM	6	575 V (Two-Speed)	35	35 Ft.
ELCMT	Electric Chain, w/ Motorized Trolley	80	8000	12	12 FPM	7	208 V (Single-Speed)	40	40 Ft.
ED	Extended Duty, Lug Mounted	100	10000	16	16 FPM	8	208 V (Two-Speed)	45	45 Ft.
EDT	Extended Duty, w/ Plain Trolley			24	24 FPM		<i>Consult factory for special voltages</i>		Etc.
EDGT	Extended Duty w/ Geared Trolley			32	32 FPM				
EDMT	Extended Duty w/ Motorized Trolley			64	64 FPM				



Chain Containers

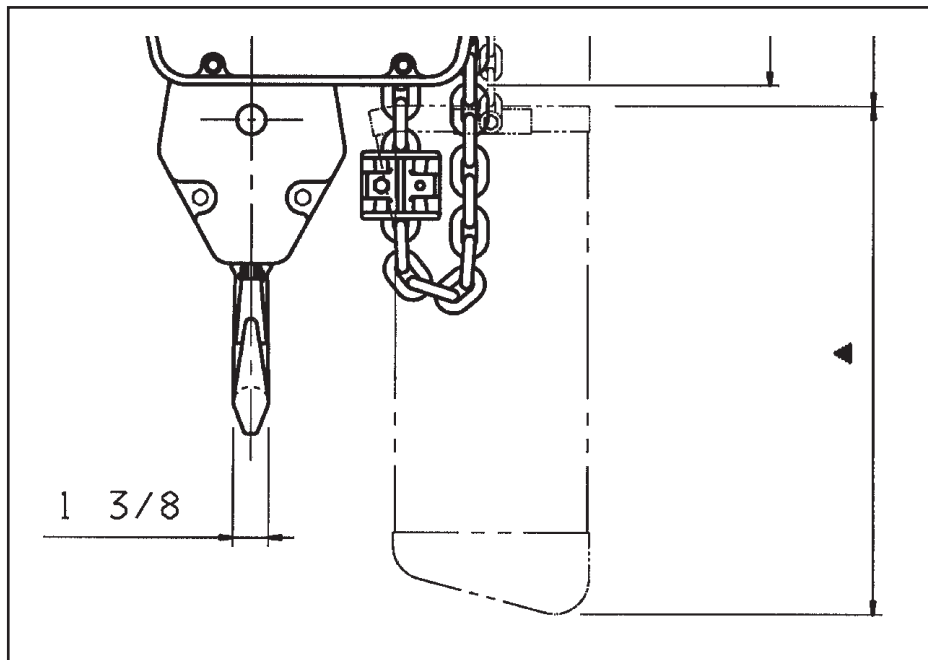
- **Models** - To fit EC and ED models.
- **Mounting** - Suspends from hoist and does not interfere with hoist operation. Suspension bracket included.
- **Safety** - Recommended where slack chain may create a hazardous condition.

For Small Frame EC Models EC-0516—EC-4008 (except EC-2032), EC-6005, and all ED Models

Model Number	“Δ” Dimension (In.)	CAPACITY (In Feet Per Hoist Lift)		
		1-Chain Single	2-Chain Double	3-Chain Triple
927JG17	10 ⁷ / ₁₆	20	10	N/A
927JG18	12 ¹ / ₂	25	12.5	N/A
927JG19	16	35	17.5	12
927JG20	20 ¹ / ₄	50	25	17
927JG202A	20	75	37	25
927JG203A	24	100	50	33
927JG204A	35	150	75	50

For Large Frame, EC Models EC-2032, EC-4016—EC-10008 (except EC-6005)

927JG201	16	15	N/A	N/A
927JG202	20	30	15	10
927JG203	24	50	25	16.5
927JG204	35	75	37.5	25
927JG205	48 ³ / ₄	100	50	33.3
927JG207	26	150	75	50
927JG208	32	200	100	66.6





Basic Information for Selecting Coffing Hoists (1 of 4)

Hand Chain Hoists

Capacity: _____ Ton

Lift: _____ Ft.

Hand Chain Drop: _____ Ft.

Accessories:

Bullard Hook: ____ Top, ____ Bottom, ____ Both

Capacity Limiter: ____

Chain Container: ____

Other Accessories: _____



Army-Type Trolley & Low-Headroom Hoists

Capacity: _____ Ton

Lift: _____ Ft.

Hoist Hand Chain Drop: _____ Ft.

Type of Trolley: ____ Plain, ____ Geared

Trolley Hand Chain Drop (Geared): _____ Ft.

Beam Type: ____ I-Beam, ____ W-F Beam, ____ Patented Track

Beam Height: _____ Inches

Flange Width: _____ Inches

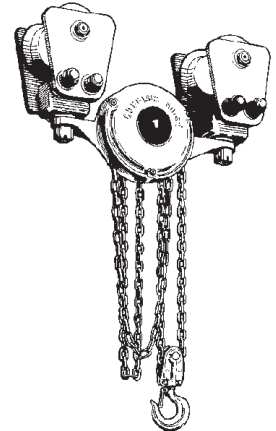
Accessories:

Bullard Hook: ____ Bottom

Capacity Limiter: ____

Chain Container: ____

Other Accessories: _____



Ratchet Lever Hoists

Capacity: _____ Ton

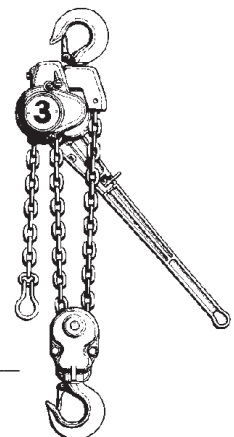
Lift: _____ Ft.

Accessories:

Bullard Hook: ____ Top, ____ Bottom, ____ Both

Capacity Limiter: ____

Other Accessories: _____





Basic Information for Selecting Coffing Hoists (2 of 4)

Cable Hoists

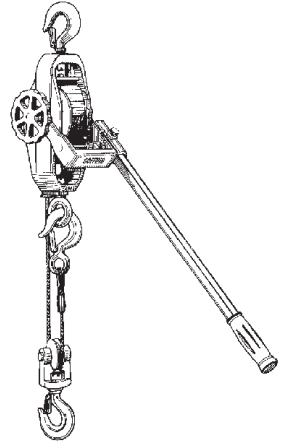
Capacity, Single Line: _____ Ton, Double Line: _____ Ton

Accessories:

Stainless Steel Cable: _____

Bullard Hooks (Top and Bottom): _____

Other Accessories: _____



Trolleys (Plain and Geared)

Capacity: _____ Ton

Type of Trolley: _____ Plain, _____ Geared

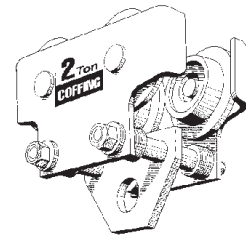
Trolley Hand Chain Drop (Geared): _____ Ft.

Beam Type: _____ I-Beam, _____ W-F Beam, _____ Patented Track

Beam Height: _____ Inches

Flange Width: _____ Inches

Other Accessories: _____



Trolleys (Motorized)

Capacity: _____ Ton

Speed: _____ FPM

Supply Voltage:

Single Phase

Three Phase

_____ 115 Volt

Single Speed

Two Speed

_____ 208 Volt

_____ 208 Volt

_____ 230 Volt

_____ 230 Volt

_____ 230 Volt

_____ 460 Volt

_____ 460 Volt

_____ 575 Volt

_____ 575 Volt

Control Voltage: _____ 24 Volt, _____ 115 Volt

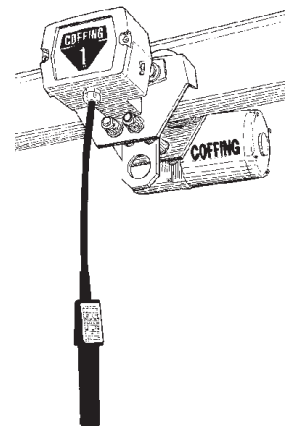
Control Cable: _____ Ft. (Pushbutton Drop)

Beam Height: _____ Inches

Flange Width: _____ Inches

Trolley Brake: _____

Other Accessories: _____





Basic Information for Selecting Coffing Hoists (3 of 4)

Electric Chain Hoists

Capacity: _____ Ton

Lift: _____ Ft.

Speed: _____ FPM

Supply Voltage:

Single Phase

Three Phase

	<i>Single Speed</i>	<i>Two Speed</i>
_____ 115 Volt	_____ 208 Volt	_____ 208 Volt
_____ 230 Volt	_____ 230 Volt	_____ 230 Volt
	_____ 460 Volt	_____ 460 Volt
	_____ 575 Volt	_____ 575 Volt

Control Voltage: _____ 24 Volt, _____ 115 Volt

Control Cable: _____ Ft. (Pushbutton Drop, Standard 4 Ft. Less Than Lift)

Type of Suspension:

Hook _____, Swivel _____, Rigid (Standard) _____

Lug _____

Trolley : _____ Plain, _____ Geared, _____ Motorized

Trolley Hand Chain Drop (Geared): _____ Ft.

Speed (Motorized): _____ FPM

Single Speed: _____ or Two-Speed _____

Beam Type:

_____ I-Beam, _____ WF-Beam, _____ Patented Track

Beam Height: _____ Inches

Flange Width: _____ Inches

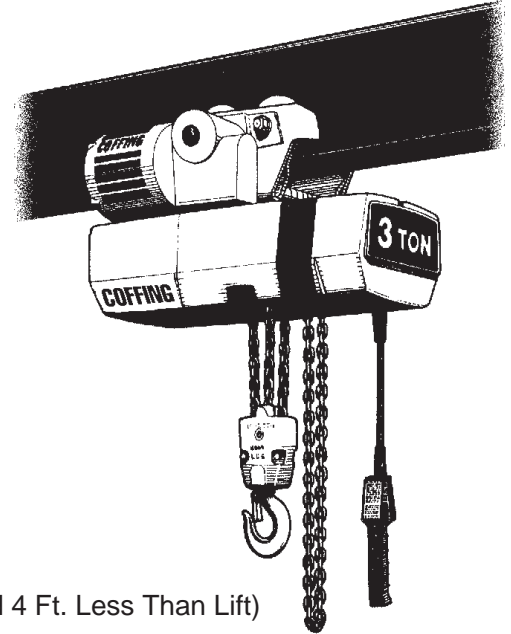
Power Cord Length: _____ Ft. (15 Ft. Standard)

Exception: Hoist w/ Motorized trolley Has No Power Cord (Optional)

Trolley Brake: _____

Chain Container _____

Other Accessories: _____





Basic Information for Selecting Coffing Hoists (4 of 4)

Electric Wire Rope Hoists

Capacity: _____ Ton

Speed: _____ FPM

Reeving & Lift:

____ 2-Part Single (1/2, 1 & 2 Ton, Standard Headroom)

1/2-Ton	1-Ton	2-Ton
____ 15 Ft.	____ 15 Ft.	____ 22 Ft.
____ 25 Ft.	____ 22 Ft.	____ 35 Ft.
____ 35 Ft.	____ 25 Ft.	____ 44 Ft.
____ 50 Ft.	____ 35 Ft.	____ 70 Ft.
____ 65 Ft.	____ 44 Ft.	
	____ 50 Ft.	
	____ 65 Ft.	

____ 4-Part Single (3-Ton, Standard Headroom ONLY)

3-Ton
____ 22 Ft.
____ 35 Ft.

____ 2-Part Double (1/2, 1, 2, 3 & 5 Ton, Cross-Mounted, Low Headroom)

1/2-Ton	1-Ton	2-Ton	3 & 5-Ton
____ 15 Ft.	____ 15 Ft.	____ 15 Ft.	____ 20 Ft.
____ 30 Ft.	____ 30 Ft.	____ 30 Ft.	
	____ 35 Ft.	____ 35 Ft.	

____ 2-Part Double (1/2, 1, 2, 3 & 5 Ton, TLV)

1/2-Ton	1-Ton	2-Ton	3 & 5-Ton
____ 15 Ft.	____ 15 Ft.	____ 15 Ft.	____ 30 Ft.
____ 30 Ft.	____ 30 Ft.	____ 30 Ft.	____ 40 Ft.
	____ 35 Ft.	____ 35 Ft.	

Supply Voltage:

Single Phase

____ 115 Volt
____ 230 Volt

Three Phase

Single Speed
____ 208 Volt
____ 230 Volt
____ 460 Volt
____ 575 Volt

Two-Speed
____ 208 Volt
____ 230 Volt
____ 460 Volt
____ 575 Volt

Control Voltage: ____ 24 Volt, ____ 115 Volt

Control Cable: ____ Ft. (Pushbutton Drop, Standard 4 Ft. Less Than Lift)

Type of Suspension:

Lug ____

Trolley: ____ Plain, ____ Geared, ____ Motorized

Trolley Hand Chain Drop (Geared): ____ Ft. (Standard 2 Ft. Less Than Lift)

Speed (Motorized): ____ FPM

Single Speed: ____ or Two-Speed ____

Beam Type: ____ I-Beam, ____ WF-Beam, ____ Patented Track

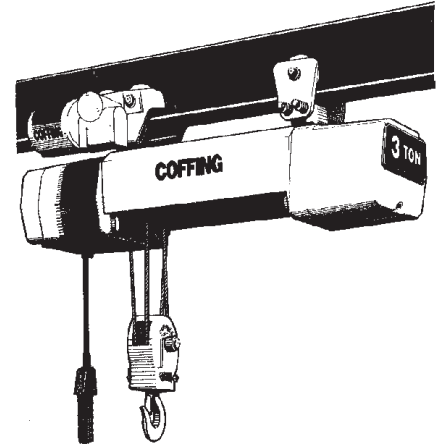
Beam Height: ____ Inches

Flange Width: ____ Inches

Power Cord Length: ____ Ft. (15 Ft. Standard) Exception: Hoist w/ Motorized Trolley Has No Power Cord (Optional)

Trolley Brake: ____

Other Accessories: _____



COFFING HOISTS CHAIN & HOOK INFORMATION

Hoist Model	Load Chain Part No.	Std Lift	Load Chain Lineal Ft.	Strands of Load Chain	Type of Chain	Chain Size (Pitch or Dia.)	Weight Per Ft. Load Chain	Hooks with Latches			Bullard Hooks w/ Latches			Shur-Loc Hook Assembly		
								Latch Kit No.	Top	Latch Kit No.	Latch Kit No.	Bottom	Top with Return	Bottom with Return	Top	Bottom
ELECTRIC CHAIN (EC-1)																
EC-0516	JL19B	10'	12'	1	Coil	1/4"	.579 Lbs.	3J12S	H7540	3J20S	H7540	BHF-11	BHB-8	-	-	3JG38
EC-0532	JL19B	10'	12'	1	Coil	1/4"	.579 Lbs.	3J12S	H7540	3J20S	H7540	BHF-11	BHB-8	-	-	3JG38
EC-0564	JL19B	10'	12'	1	Coil	1/4"	.579 Lbs.	3J12S	H7540	3J20S	H7540	BHF-11	BHB-8	-	-	3JG38
EC-1009	JL19B	10'	12'	1	Coil	1/4"	.579 Lbs.	3J12S	H7540	3J20S	H7540	BHF-11	BHB-8	-	-	3JG38
EC-1016	JL19B	10'	12'	1	Coil	1/4"	.579 Lbs.	3J12S	H7540	3J20S	H7540	BHF-11	BHB-8	-	-	3JG38
EC-1032	JL19B	10'	12'	1	Coil	1/4"	.579 Lbs.	3J12S	H7540	3J20S	H7540	BHF-11	BHB-8	-	-	3JG38
EC-2004	JL19B	10'	23'	2	Coil	1/4"	.579 Lbs.	3J12S	H7540	3K6S	H7540	BHF-11	BHB-5	-	-	3JG38-1
EC-2006	JL19B	10'	23'	2	Coil	1/4"	.579 Lbs.	3J12S	H7540	3K6S	H7540	BHF-11	BHB-5	-	-	3JG38-1
EC-2012	JL19-1	10'	12'	1	Coil	9/32"	.755 Lbs.	3J12S	H7540	3J20S	H7540	BHF-11	BHB-8	-	-	3JG38
EC-2016	JL19-1	10'	12'	1	Coil	9/32"	.755 Lbs.	3J12S	H7540	3J20S	H7540	BHF-11	BHB-8	-	-	3JG38
EC-4006	JL19-1	10'	23'	2	Coil	9/32"	.755 Lbs.	3K1S	H7540	3K1S	H7540	BHF-11	BHF10	-	-	3JG40
EC-4008	JL19-1	10'	23'	2	Coil	9/32"	.755 Lbs.	3J12S	H7540	3K1S	H7540	BHF-11	BHF10	-	-	3JG40
EC-6005	JL19-1	10'	34'	3	Coil	9/32"	.755 Lbs.	3J23	H7544	3J14S	H7544	BHD-11	BHD-11	-	-	3JG36-1
ELECTRIC CHAIN (EC-3)																
EC-2032	19J3	10'	12'	1	COIL	7/16"	1.813 Lbs.	3J7S	H7545	3J14S	H7544	BHM-1	BHF-7	-	-	3JG36-1
EC-4016	19J3	10'	12'	1	COIL	7/16"	1.813 Lbs.	3J7S	H7545	3J14S	H7544	BHM-1	BHF-7	-	-	3JG36-1
EC-4024	19J3	10'	12'	1	COIL	7/16"	1.813 Lbs.	3J7S	H7545	3J14S	H7544	BHM-1	BHF-7	-	-	3JG36-1
EC-6010	19J3	10'	23'	2	COIL	7/16"	1.813 Lbs.	3J7S	H7545	3J6S	H7545	BHM-1	BHM-2	-	-	3JG36
EC-6016	19J3	10'	23'	2	COIL	7/16"	1.813 Lbs.	3J7S	H7545	3J6S	H7545	BHM-1	BHM-2	-	-	3JG36
EC-8008	19J3	10'	23'	2	COIL	7/16"	1.813 Lbs.	3J7S	H7545	3J8S	H7545	BHM-1	BHM-2	-	-	3JG36
EC-8012	19J3	10'	23'	2	COIL	7/16"	1.813 Lbs.	3J7S	H7545	3J8S	H7545	BHM-1	BHM-2	-	-	3JG36
EC-10005	19J3	10'	35'	3	COIL	7/16"	1.813 Lbs.	-	-	SHL15	H7545	-	BHM-3	-	-	-
EC-10008	19J3	10'	35'	3	COIL	7/16"	1.813 Lbs.	-	-	SHL15	H7545	-	BHM-3	-	-	-
ELECTRIC CHAIN (ED MODELS)																
ED-1032	JF19Z	10'	12'	1	COIL	1/4"	.579 Lbs.	-	-	3J20S	H7540	-	BHB-8	-	-	3JG38
ED-2016	JF19-1Z	10'	12'	1	COIL	9/32"	.755 Lbs.	-	-	3J20S	H7540	-	BHB-8	-	-	3JG38
ED-4008	JF19-1Z	10'	23'	2	COIL	9/32"	.755 Lbs.	-	-	3K1S	H7540	-	BHF10	-	-	3JG40

COFFING HOISTS CHAIN & HOOK INFORMATION

Hoist Model	Load Chain Part No.	Std Lift	Load Chain Lineal Ft.	Strands of Load Chain	Type of Chain	Chain Size (Pitch or Dia.)	Weight Per Ft. Load Chain	Hooks with Latches			Bullard Hooks w/ Latches			Shur-Loc Hook Assembly		
								Top	Latch Kit No.	Bottom	Latch Kit No.	Top		Bottom with Return	Swivel Top	Bottom
												Rigid	Swivel			
ELECTRIC CHAIN HOIST (ELC MODELS)																
ELC-0232	JL19B	10'	12'	1	Coil	1/4"	.579 Lbs.	JL3S	H7540	3JG20S	H7540	BHD13	BHD14	BHB8	3JG40-1	3JG38
ELC-0516	JL19B	10'	12'	1	Coil	1/4"	.579 Lbs.	JL3S	H7540	3JG20S	H7540	BHD13	BHD14	BHB8	3JG40-1	3JG38
ELC-0532	JL19B	10'	12'	1	Coil	1/4"	.579 Lbs.	JL3S	H7540	3JG20S	H7540	BHD13	BHD14	BHB8	3JG40-1	3JG38
ELC-1016	JL19B	10'	12'	1	Coil	1/4"	.579 Lbs.	JL3S	H7540	3JG20S	H7540	BHD13	BHD14	BHB8	3JG40-1	3JG38
ELC-1032	JL19B	10'	12'	1	Coil	1/4"	.579 Lbs.	JL3S	H7540	3JG20S	H7540	BHD13	BHD14	BHB8	3JG40-1	3JG38
ELC-2016	JL19-1	10'	12'	1	Coil	9/32"	.755 Lbs.	JL3S	H7540	3JG20S	H7540	BHD13	BHD14	BHB8	3JG40-1	3JG38
ELC-4008	JL19-1	10'	23'	2	Coil	9/32"	.755 Lbs.	JL3S	H7540	3K1S	H7540	BHF8	BHF9	BHF10	3JG40-1	3JG40
LIGHT DUTY ELECTRIC CHAIN																
EMC300-B	19J5B	10'	10' 6"	1	Coil	218"D	417 Lbs.	3K3S	H7549	3J21S	H7549					
EMC500-B	19J5B	10'	21'	2	Coil	218"D	417 Lbs.	3K3S	H7549	3J21S	H7549					
ELECTRIC CHAIN HOIST (LMES MODELS)																
LMES 3151	912501801	10'	11'	1	Coil	4MM	.245 Lbs.	902285900	911232600	3K3S	H7549					
LMES 3166	912501802	20'	21'	1	Coil	4MM	.245 Lbs.	902285900	911232600	3K3S	H7549					
LMES 3152	912501802	10'	21'	2	Coil	4MM	.245 Lbs.	902285900	911232600	3K3S	H7549					

COFFING HOISTS CHAIN & HOOK INFORMATION

Hoist Model	Load Chain Part No.	Std Lift	Load Chain Lineal Ft.	Strands of Load Chain	Type of Chain	Chain Size (Pitch) or (Dia.)	Weight Per Ft. Load Chain	Hooks with Latches			Bullard Hooks with Latches			
								Hand Chain Part No.	Top Kit No.	Bottom Kit No.	Top with Return	Bottom with Return		
CA & CB HAND CHAIN HOISTS (COIL CHAIN)														
CA-1/2	JL19B	8'	8'-9"	1	Coil	1/4"D	.579 Lbs.	ML19	CA3-9S	H7540	3J20S	H7540	BHB-7	BHB-8
CB-1	JL19-1	8'	8'-9"	1	Coil	9/32"D	.764 Lbs.	53A	MA3-10S	H7540	3J20S	H7540	BHB-6	BHB-8
CB 1 1/2	C19-12	8'	9'	1	Coil	3/8"D	1.34 Lbs.	53A	SHL5	H7544	SHL26	H7544	BHF-1	BHF-3
CB-2	C19-12	8'	9'	1	Coil	3/8"D	1.34 Lbs.	53A	SHL5	H7544	SHL26	H7544	BHF-1	BHF-3
CB-3	19J3	8'	9'	1	Coil	7/16"D	1.813 Lbs	53A	SHL8	H7545	SHL14	H7545	BHH-1	BHF-5
CB-4	C19-12	8'	18'-6"	2	Coil	3/8"D	1.34 Lbs.	53A	SHL8	H7545	SHL8	H7545	-	-
CB-5	C19-12	8'	28'	3	Coil	3/8"D	1.34 Lbs.	53A	SHL15	H7545	SHL15	H7545	-	BHM-3
CB-6	C19-12	8'	28'	3	Coil	3/8"D	1.34 Lbs.	53A	SHL15	H7545	SHL15	H7545	-	BHM-3
CB-8	C19-12	8'	36'	4	Coil	3/8"D	1.34 Lbs.	53A	SHL16	H7546	SHL16	H7546	-	-
CB-10	19J3	8'	36'-6"	4	Coil	7/16"D	1.813 Lbs	53A	SHL17	H7547	SHL17	H7547	-	-
CB-12	19J3	8'	36'-6"	4	Coil	7/16"D	1.813 Lbs	53A	SHL17	H7547	SHL17	H7547	-	-
HAND CHAIN (COIL CHAIN) TROLLEY CONNECTED HOIST														
CTH 1/2	JL19B	8'	8'-9"	1	Coil	1/4"D	.579 Lbs.	ML19	-	-	3J20S	H7540	BHB-7	BHB-8
CTH 1	JL19-1	8'	8'-9"	1	Coil	9/32"D	.764 Lbs.	53A	-	-	3J20S	H7540	BHB-6	BHB-8
CTH 1 1/2	C19-12	8'	9'	1	Coil	3/8"D	1.34 Lbs.	53A	-	-	SHL26	H7544	BHF-1	BHF-3
CTH 2	C19-12	8'	9'	1	Coil	3/8"D	1.34 Lbs.	53A	-	-	SHL26	H7544	BHF-1	BHF-3
CTH 3	19J3	8'	9'	1	Coil	7/16"D	1.813 Lbs	53A	-	-	SHL14	H7545	BHH-1	BHF-5
CTH 4	C19-12	8'	18'-6"	2	Coil	3/8"D	1.34 Lbs.	53A	-	-	SHL8	H7545	-	-
CTH 5	C19-12	8'	28'	3	Coil	3/8"D	1.34 Lbs.	53A	-	-	SHL15	H7545	-	BHM-3
CTH 6	C19-12	8'	28'	3	Coil	3/8"D	1.34 Lbs.	53A	-	-	SHL15	H7545	-	BHM-3
ARMY TYPE (COIL CHAIN) HAND CHAIN HOIST (PLAIN & GEARED)														
AT 1/2	JL19B	8'	8'-9"	1	Coil	1/4"D	.579 Lbs.	ML19	-	-	3J20S	H7540	-	BHB-8
AT 1	JL19-B	17'	17'	2	Coil	1/4"D	.579 Lbs.	ML19	-	-	3K9S	H7540	-	BHB-1
AT 1 1/2	C19-12	8'	9'	1	Coil	3/8"D	1.34 Lbs.	53A	-	-	SHL26	H7544	-	BHF-3
AT 2	C19-12	8'	9'	1	Coil	3/8"D	1.34 Lbs.	53A	-	-	SHL26	H7544	-	BHF-3
AT 3	C19-12	8'	18'-6"	2	Coil	3/8"D	1.34 Lbs.	53A	-	-	SHL14	H7545	-	BHF-5
AT 4	C19-12	8'	18'-6"	2	Coil	3/8"D	1.34 Lbs.	53A	-	-	SHL8	H7545	-	-
AT 5	C19-12	8'	28'	3	Coil	3/8"D	1.34 Lbs.	53A	-	-	SHL15	H7545	-	BHM-3
AT 6	C19-12	8'	28'	3	Coil	3/8"D	1.34 Lbs.	53A	-	-	SHL15	H7545	-	BHM-3
AT 8	C19-12	8'	36'	4	Coil	3/8"D	1.34 Lbs.	53A	-	-	SHL16	H7546	-	-

COFFING HOISTS CHAIN & HOOK INFORMATION

Hooks with Latches													Bullard Hooks with Latches	
Hoist Model	Load Chain Part No.	Std Lift	Load Chain Lineal Ft.	Strands of Load Chain	Type of Chain	Chain Size (Pitch) or (Dia.)	Weight Per Ft. Load Chain	Hand Chain Part No.	Top	Latch Kit No.	Bottom	Latch Kit No.	Top with Return	Bottom with Return
LHH-A SERIES HAND CHAIN HOIST (COIL CHAIN)														
LHH-1/2A	LSB-19	10'	11'	1	Coil	6.3mm	-	LHH53	LHH50-A	LHH-123-K	LHH20-A	LHH-123-K	N/A	N/A
LHH-1A	LHH-19-1	10'	11'	1	Coil	7.1mm	-	LHH53	LHH50-1A	LHH123-1K	LHH20-1A	LHH123-1K	N/A	N/A
LHH-2A	LHH-19-2	10'	11'	1	Coil	9.5mm	-	LHH53	LHH50-2A	LHH123-2K	LHH20-2A	LHH123-2K	N/A	N/A
LHH-3A	LHH-19-3	10'	11'	1	Coil	11.1mm	-	LHH53	LHH50-3A	LHH123-3K	LHH20-3A	LHH123-3K	N/A	N/A
LHH-5A	LHH-19-4	10'	31'	3	Coil	7.9mm	-	LHH53	LHH50-4A	LHH123-4K	LHH20-4A	LHH123-4K	N/A	N/A
LHH-B SERIES HAND CHAIN HOIST (COIL CHAIN)														
LHH-1/2B	GHH5009T	10'	11'	1	Coil	5.0 mm	2.60 Lbs.	GHH5009J	GHH5032T	GHH5074U	GHH5047U	GHH5074U	N/A	N/A
LHH-1B	JHH5009T	10'	11'	1	Coil	6.3 mm	3.10 Lbs.	GHH5009J	JHH5032T	JHH5074U	JHH5047U	JHH5074U	N/A	N/A
LHH 1 1/2B	KHH5009T	10'	11'	1	Coil	7.1 mm	4.40 Lbs.	GHH5009J	KHH5032T	KHH5074U	KHH5047U	KHH5074U	N/A	N/A
LHH-2B	LHH5009T	10'	11'	1	Coil	7.9 mm	5.30 Lbs.	GHH5009J	LHH5032T	KHH5074U	KHH5047U	KHH5074U	N/A	N/A
LHH-3B	LSB-19-2	10'	11'	1	Coil	10.0 mm	8.60 Lbs.	GHH5009J	NHH5032T	NHH5074U	NHH5047U	NHH5074U	N/A	N/A
LHH-5B	KHH5009T	10'	31'	3	Coil	7.1 mm	4.40 Lbs.	GHH5009J	PHH5032T	PHH5074U	PHH5047U	PHH5074U	N/A	N/A

COFFING HOISTS CHAIN & HOOK INFORMATION

Hoist Model	Load Chain Part No.	Std Lift	Load Chain Lineal Ft.	Strands of Load Chain	Type of Chain	Chain Size (Pitch or Dia.)	Weight Per Ft. Load Chain	Hooks with Latches		Bulldog Hooks with Latches			
								Top	Bottom	Top with Return	Bottom with Return		
G SERIES LEVER HOIST (ROLLER CHAIN)													
AG	A19	56 1/2"	5'	1	Roller	5/8"P	.550 Lbs.	3K8S	H7540	3K8S	H7540	BHB-1	BHB-1
AGI	A19	56 1/2"	5'	1	Roller	5/8"P	.550 Lbs.	3K8S	H7540	3K8S	H7540	BHB-1	BHB-1
ATG	A19	57"	10'	2	Roller	5/8"P	.550 Lbs.	3K8S	H7540	3K8S	H7540	BHB-1	BHB-1
ATGI	A19	57"	10'	2	Roller	5/8"P	.550 Lbs.	3K8S	H7540	3K8S	H7540	BHB-1	BHB-1
FG	F19	56 1/2"	5'	1	Roller	1"P	1.200 Lbs.	3K9S	H7540	3K9S	H7540	BHD-2	BHD-2
FGL	F19	56 1/2"	5'	1	Roller	1"P	1.200 Lbs.	3K9S	H7540	3K9S	H7540	BHD-2	BHD-2
FTG	F19	57"	10'	2	Roller	1"P	1.200 Lbs.	3K9S	H7540	3K9S	H7540	BHF-2	BHF-2
FTGI	F19	57"	10'	2	Roller	1"P	1.200 Lbs.	3K9S	H7540	3K9S	H7540	BHF-2	BHF-2
WG-9	F19	60"	32'	5	Roller	1"P	1.200 Lbs.	W3S	H7545	W3S	H7545	-	-
WG-11	F19	60"	37'-6"	6	Roller	1"P	1.200 Lbs.	W3S	H7545	W3S	H7545	-	-
WG-13	F19	60"	43'	7	Roller	1"P	1.200 Lbs.	W3S	H7545	W3S	H7545	-	-
WG-15	F19	60"	48'-6"	8	Roller	1"P	1.200 Lbs.	W3S	H7545	W3S	H7545	-	-
ZG-4 1/2	F19	51"	15'	3	Roller	1"P	1.200 Lbs.	SHL-1	H7545	SHL-1	H7545	-	-
ZG-6	F19	53"	20'	4	Roller	1"P	1.200 Lbs.	SHL-1	H7545	SHL-1	H7545	-	-
LOAD BINDERS													
A	A19	19 1/2"	2'	1	Roller	5/8"P	.550 Lbs.	LB-3-3	-	LB-3-3	-	-	-
AD	A19	20"	4'	2	Roller	5/8"P	.550 Lbs.	LB-3-3	-	LB-3-3	-	-	-

COFFING HOISTS CHAIN & HOOK INFORMATION

Hoist Model	Load Chain Part No.	St'd Lift	Load Chain Lineal Ft.	Strands of Load Chain	Type of Chain	Chain Size (Pitch or Dia.)	Weight Per Ft. Load Chain	Hooks with Latches			Bullard Hooks with Latches		
								Top	Latch Kit No.	Bottom	Top with Return	Latch Kit No.	Bottom with Return
LSB SERIES (COIL CHAIN)													
LSB 1500	LSB 19	5'	6'	1	Coil	.250"D	-	LSB20-A	LSB123A	LSB50-A	LSB123A	N/A	N/A
LSB 3000	LSB 19-1	5'	6'	1	Coil	.312"D	-	LSB20-1A	LSB123-1A	LSB50-1A	LSB123-1A	N/A	N/A
LSB 6000	LSB 19-2	5'	6'	1	Coil	.394"D	-	LSB20-2A	LSB123-2A	LSB50-2A	LSB123-2A	N/A	N/A
LSB 12000	LSB 19-2	5'	13'	2	Coil	.394"D	-	LSB20-3A	LSB123-3A	LSB50-3A	LSB123-3A	N/A	N/A
LSB A SERIES (COIL CHAIN)													
LSB 1500A	T56	5'	6'	1	Coil	5.6mm	0.35 Lbs.	IRB4048U	JHH5074T	IRB4053U	JHH5074T	N/A	N/A
LSB 3000A	V71	5'	6'	1	Coil	7.1mm	0.75 Lbs.	KRB4048U	KHH5074T	KRB4053U	KHH5074T	N/A	N/A
LSB 6000A	V9	5	6'	1	Coil	9mm	1.25 Lbs.	NRB4048U	KHH5074T	NRB4053U	KHH5074T	N/A	N/A
LSB 12000A	V9	5'	13'	2	Coil	9mm	1.25 Lbs.	QRB4048U	HH4060074T	QRB4053U	HH4060074T	N/A	N/A

COFFING HOISTS CHAIN & HOOK INFORMATION

Hoist Model	Load Chain Part No.	St'd Lift	Load Chain Lineal Ft.	Strands of Load Chain	Type of Chain	Chain Size (Pitch or Dia.)	Chain Weight Per Ft. Load	Hooks with Latches		Bullard Hooks with Latches			
								Top	Bottom	Top with Return	Bottom with Return		
MA & MAL LEVER HOIST (COIL CHAIN)													
MA & MAL 15	JL19B	60"	5'-6"	1	Coil	1/4"	.579 Lbs.	MA3-10S	H7540	3K8S	H7540	BHB-6	BHB-1
MA & MAL 20	JL19B	60"	5'-6"	1	Coil	1/4"	.579 Lbs.	MA3-10S	H7540	3K8S	H7540	BHB-6	BHB-1
MA & MAL 15-2	JL19B	60"	11'-7"	2	Coil	1/4"	.579 Lbs.	3K12S	H7540	3K6S	H7540	BHB-3	BHB-5
MA & MAL 30	C19-10	60"	5'-7"	1	Coil	5/16"	.915 Lbs.	3K10S	H7540	3K9S	H7540	BHB-6	BHD-2
MA & MAL 40	C19-10	60"	5'-7"	1	Coil	5/16"	.915 Lbs.	3K10S	H7540	3K9S	H7540	-	BHD-2
MA & MAL 30-2	C19-10	60"	11'-3"	2	Coil	5/16"	.915 Lbs.	SHL5	H7544	SHL6	H7544	BHF-1	BHF-5
MA & MAL 30-3	C19-10	60"	17'	3	Coil	5/16"	.915 Lbs.	SHL7	H7545	SHL8	H7545	-	-
MA & MAL 30-4	C19-10	60"	22'-7"	4	Coil	5/16"	.915 Lbs.	SHL9	H7545	SHL10	H7545	-	-
RA LEVER HOIST (COIL CHAIN)													
RA 15	JL19B	60"	5'-6"	1	Coil	1/4"	.579 Lbs.	MA3-10S	H7540	3K8S	H7540	BHB-6	BHB-1
RA 20	JL19B	60"	5'-6"	1	Coil	1/4"	.579 Lbs.	MA3-10S	H7540	3K8S	H7540	BHB-6	BHB-1
RA-15-2	JL19B	60"	11'-7"	2	Coil	1/4"	.579 Lbs.	3K12S	H7540	3K6S	H7540	BHB-3	BHB-5
RA 30	C19-10	60"	5'-7"	1	Coil	5/16"	.915 Lbs.	3K10S	H7540	3K9S	H7540	BHB-6	BHD-2
RA 40	C19-10	60"	5'-7"	1	Coil	5/16"	.915 Lbs.	3K10S	H7540	3K9S	H7540	-	BHD-2
RA 30-2	C19-10	60"	11'-3"	2	Coil	5/16"	.915 Lbs.	SHL5	H7544	SHL6	H7544	BHF-1	BHF-5
RA 30-3	C19-10	60"	17'	3	Coil	5/16"	.915 Lbs.	SHL7	H7545	SHL8	H7545	-	-
RA 30-4	C19-10	60"	22'-7"	4	Coil	5/16"	.915 Lbs.	SHL9	H7545	SHL10	H7545	-	-

COFFING HOISTS WIRE ROPE & HOOK INFORMATION

Hoist Model	Cable Part No.	S't'd Lift	Cable Lineal Ft.	Reeving	Type of Cable	Hooks with Latches			Bullard Hooks w/ Latches		Shur-Loc Bottom Hook Assembly
						Cable Diameter	Bottom	Latch Kit No.	Bottom with Return		
WIRE ROPE HOISTS (WR-1)											
WR1010	19J101	15'	34'-9"	2PS	6 X 37 PFC	1/4"D	3J20S	H7540	BHB-8	3JG38	
WR1016	19J101	15'	34'-9"	2PS	6 X 37 PFC	1/4"D	3J20S	H7540	BHB-8	3JG38	
WR1021	19J101	15'	34'-9"	2PS	6 X 37 PFC	1/4"D	3J20S	H7540	BHB-8	3JG38	
WR1032	19J101	15'	34'-9"	2PS	6 X 37 PFC	1/4"D	3J20S	H7540	BHB-8	3JG38	
WR2010	19J101	15'	34'-9"	2PS	6 X 37 PFC	1/4"D	3J20S	H7540	BHB-8	3JG38	
WR2016	19J101	15'	34'-9"	2PS	6 X 37 PFC	1/4"D	3J20S	H7540	BHB-8	3JG38	
WR1010	19J102	25'	54'-9"	2PS	6 X 37 PFC	1/4"D	3J20S	H7540	BHB-8	3JG38	
WR1016	19J102	25'	54'-9"	2PS	6 X 37 PFC	1/4"D	3J20S	H7540	BHB-8	3JG38	
WR1021	19J102	25'	54'-9"	2PS	6 X 37 PFC	1/4"D	3J20S	H7540	BHB-8	3JG38	
WR1032	19J102	25'	54'-9"	2PS	6 X 37 PFC	1/4"D	3J20S	H7540	BHB-8	3JG38	
WR2010	19J102	25'	54'-9"	2PS	6 X 37 PFC	1/4"D	3J20S	H7540	BHB-8	3JG38	
WR2016	19J102	25'	54'-9"	2PS	6 X 37 PFC	1/4"D	3J20S	H7540	BHB-8	3JG38	
WR1010	19J110	35'	74'-9"	2PS	6 X 37 PFC	1/4"D	3J20S	H7540	BHB-8	3JG38	
WR1016	19J110	35'	74'-9"	2PS	6 X 37 PFC	1/4"D	3J20S	H7540	BHB-8	3JG38	
WR1021	19J110	35'	74'-9"	2PS	6 X 37 PFC	1/4"D	3J20S	H7540	BHB-8	3JG38	
WR1032	19J110	35'	74'-9"	2PS	6 X 37 PFC	1/4"D	3J20S	H7540	BHB-8	3JG38	
WR2010	19J110	35'	74'-9"	2PS	6 X 37 PFC	1/4"D	3J20S	H7540	BHB-8	3JG38	
WR2016	19J110	35'	74'-9"	2PS	6 X 37 PFC	1/4"D	3J20S	H7540	BHB-8	3JG38	
WR1010	19J107	50'	104'-9"	2PS	6 X 37 PFC	1/4"D	3J20S	H7540	BHB-8	3JG38	
WR1016	19J107	50'	104'-9"	2PS	6 X 37 PFC	1/4"D	3J20S	H7540	BHB-8	3JG38	
WR1021	19J107	50'	104'-9"	2PS	6 X 37 PFC	1/4"D	3J20S	H7540	BHB-8	3JG38	
WR1032	19J107	50'	104'-9"	2PS	6 X 37 PFC	1/4"D	3J20S	H7540	BHB-8	3JG38	
WR2010	19J107	50'	104'-9"	2PS	6 X 37 PFC	1/4"D	3J20S	H7540	BHB-8	3JG38	
WR2016	19J107	50'	104'-9"	2PS	6 X 37 PFC	1/4"D	3J20S	H7540	BHB-8	3JG38	
WR1010	19J109	65'	134'-9"	2PS	6 X 37 PFC	1/4"D	3J20S	H7540	BHB-8	3JG38	
WR1016	19J109	65'	134'-9"	2PS	6 X 37 PFC	1/4"D	3J20S	H7540	BHB-8	3JG38	
WR1021	19J109	65'	134'-9"	2PS	6 X 37 PFC	1/4"D	3J20S	H7540	BHB-8	3JG38	
WR1032	19J109	65'	134'-9"	2PS	6 X 37 PFC	1/4"D	3J20S	H7540	BHB-8	3JG38	
WR2010	19J109	65'	134'-9"	2PS	6 X 37 PFC	1/4"D	3J20S	H7540	BHB-8	3JG38	
WR2016	19J109	65'	134'-9"	2PS	6 X 37 PFC	1/4"D	3J20S	H7540	BHB-8	3JG38	

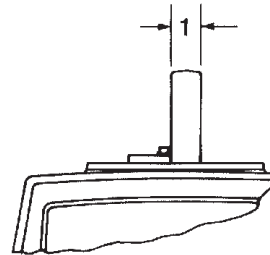
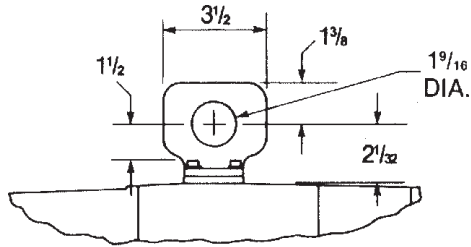
COFFING HOISTS WIRE ROPE & HOOK INFORMATION

Hoist Model	Cable Part No.	St'd Lift	Cable Lineal Ft.	Reeving	Type of Cable	Hooks with Latches			Bullard Hooks w/ Latches		Shur-Loc Bottom Hook Assembly
						Cable Diameter	Bottom	Latch Kit No.	Bottom with Return	Bottom with Return	
TRUE VERTICLE LIFT & LOW HEADROOM HOIST (WR-1)											
WR1010	19J303	15'	72'	2PD	6 X 37 PFC	1/4"D	3J20S	H7540	BHB-8	3J38	
WR1016	19J303	15'	72'	2PD	6 X 37 PFC	1/4"D	3J20S	H7540	BHB-8	3J38	
WR1021	19J303	15'	72'	2PD	6 X 37 PFC	1/4"D	3J20S	H7540	BHB-8	3J38	
WR1032	19J303	15'	72'	2PD	6 X 37 PFC	1/4"D	3J20S	H7540	BHB-8	3J38	
WR2010	19J303	15'	72'	2PD	6 X 37 PFC	1/4"D	3J20S	H7540	BHB-8	3J38	
WR2016	19J303	15'	72'	2PD	6 X 37 PFC	1/4"D	3J20S	H7540	BHB-8	3J38	
WR1010	19J305	30'	132'	2PD	6 X 37 PFC	1/4"D	3J20S	H7540	BHB-8	3J38	
WR1016	19J305	30'	132'	2PD	6 X 37 PFC	1/4"D	3J20S	H7540	BHB-8	3J38	
WR1021	19J305	30'	132'	2PD	6 X 37 PFC	1/4"D	3J20S	H7540	BHB-8	3J38	
WR1032	19J305	30'	132'	2PD	6 X 37 PFC	1/4"D	3J20S	H7540	BHB-8	3J38	
WR2010	19J305	30'	132'	2PD	6 X 37 PFC	1/4"D	3J20S	H7540	BHB-8	3J38	
WR2016	19J305	30'	132'	2PD	6 X 37 PFC	1/4"D	3J20S	H7540	BHB-8	3J38	
WIRE ROPE HOISTS (WR-3)											
WR2028	19J202	22'	48'-7"	2PS	7 Flex IWRC	5/16"	3J14S	H7544	BHF-7	3JG36-1	
WR4014	19J202	22'	48'-7"	2PS	7 Flex IWRC	5/16"	3J14S	H7544	BHF-7	3JG36-1	
WR4021	19J202	22'	48'-7"	2PS	7 Flex IWRC	5/16"	3J14S	H7544	BHF-7	3JG36-1	
WR6010	19J201	22'	95'-8"	4PS	7 Flex IWRC	5/16"	3J8S	H7545	BHM-2	3JG36	
WR6014	19J201	22'	95'-8"	4PS	7 Flex IWRC	5/16"	3J8S	H7545	BHM-2	3JG36	
WR2028	19J203	35'	74'-7"	2PS	7 Flex IWRC	5/16"	3J14S	H7544	BHF-7	3JG36-1	
WR4014	19J203	35'	74'-7"	2PS	7 Flex IWRC	5/16"	3J14S	H7544	BHF-7	3JG36-1	
WR4021	19J203	35'	74'-7"	2PS	7 Flex IWRC	5/16"	3J14S	H7544	BHF-7	3JG36-1	
WR6010	19J205	35'	147'-8"	4PS	7 Flex IWRC	5/16"	3J8S	H7545	BHM-2	3JG36	
WR6014	19J205	35'	147'-8"	4PS	7 Flex IWRC	5/16"	3J8S	H7545	BHM-2	3JG36	
WR2028	19J204	44'	92'-7"	2PS	7 Flex IWRC	5/16"	3J14S	H7544	BHF-7	3JG36-1	
WR4014	19J204	44'	92'-7"	2PS	7 Flex IWRC	5/16"	3J14S	H7544	BHF-7	3JG36-1	
WR4021	19J204	44'	92'-7"	2PS	7 Flex IWRC	5/16"	3J14S	H7544	BHF-7	3JG36-1	
WR2028	19J206	70'	144'-7"	2PS	7 Flex IWRC	5/16"	3J14S	H7544	BHF-7	3JG36-1	
WR4014	19J206	70'	144'-7"	2PS	7 Flex IWRC	5/16"	3J14S	H7544	BHF-7	3JG36-1	
WR4021	19J206	70'	144'-7"	2PS	7 Flex IWRC	5/16"	3J14S	H7544	BHF-7	3JG36-1	

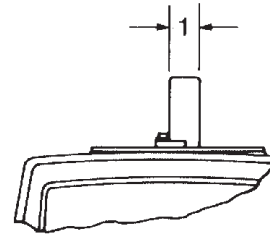
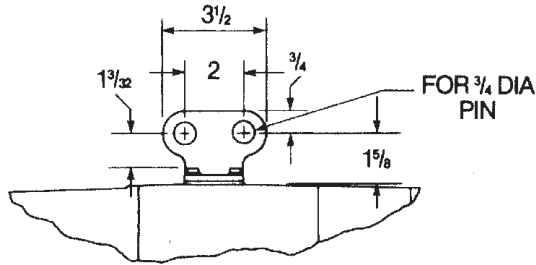
COFFING HOISTS WIRE ROPE & HOOK INFORMATION

Hoist Model	Cable Part No.	Std Lift	Cable Lineal Ft.	Reeving	Type of Cable	Hooks with Latches			Bullard Hooks w/ Latches		Shur-Loc Bottom Hook Assembly
						Cable Diameter	Bottom	Latch Kit No.	Bottom with Return	Latch Kit	
TRUE VERTICLE LIFT & LOW HEADROOM HOIST (WR-3)											
WR2028	19J303	15'	72'	2PD	6 X 37 PFC	1/4"	3J14S	H7544	BHF-7		3J36-1
WR4014	19J303	15'	72'	2PD	6 X 37 PFC	1/4"	3J14S	H7544	BHF-7		3J36-1
WR4021	19J303	15'	72'	2PD	6 X 37 PFC	1/4"	3J14S	H7544	BHF-7		3J36-1
WR2028	19J302	25'	111'-6"	2PD	6 X 37 PFC	1/4"	3J14S	H7544	BHF-7		3J36-1
WR4014	19J302	25'	111'-6"	2PD	6 X 37 PFC	1/4"	3J14S	H7544	BHF-7		3J36-1
WR4021	19J302	25'	111'-6"	2PD	6 X 37 PFC	1/4"	3J14S	H7544	BHF-7		3J36-1
WR2028	19J304	35'	151'-6"	2PD	6 X 37 PFC	1/4"	3J14S	H7544	BHF-7		3J36-1
WR4014	19J304	35'	151'-6"	2PD	6 X 37 PFC	1/4"	3J14S	H7544	BHF-7		3J36-1
WR4021	19J304	35'	151'-6"	2PD	6 X 37 PFC	1/4"	3J14S	H7544	BHF-7		3J36-1
WIRE ROPE HOISTS (WR-5)											
WR6016	19J401	20'	93'-6"	2PD	7 Flex Extra Improved Plow Steel	3/8"D	SHL-15	H7545	BHM-3		-
WR6026	19J401	20'	93'-6"	2PD	7 Flex Extra Improved Plow Steel	3/8"D	SHL-15	H7545	BHM-3		-
WR10016	19J401	20'	93'-6"	2PD	7 Flex Extra Improved Plow Steel	3/8"D	SHL-15	H7545	BHM-3		-
WR6016	19J402	30'	133'-6"	2PD	7 Flex Extra Improved Plow Steel	3/8"D	SHL-15	H7545	BHM-3		-
WR6026	19J402	30'	133'-6"	2PD	7 Flex Extra Improved Plow Steel	3/8"D	SHL-15	H7545	BHM-3		-
WR10016	19J402	30'	133'-6"	2PD	7 Flex Extra Improved Plow Steel	3/8"D	SHL-15	H7545	BHM-3		-
WR6016	19J403	40'	173'-6"	2PD	7 Flex Extra Improved Plow Steel	3/8"D	SHL-15	H7545	BHM-3		-
WR6026	19J403	40'	173'-6"	2PD	7 Flex Extra Improved Plow Steel	3/8"D	SHL-15	H7545	BHM-3		-
WR10016	19J403	40'	173'-6"	2PD	7 Flex Extra Improved Plow Steel	3/8"D	SHL-15	H7545	BHM-3		-
HOOKS WITH LATCHES											
						Bottom Hook	Latch Kit	Top Hook	Latch Kit		
EMW500AC	19K301	10'	22' 6"	2PS	Preformed Galvanized Aircraft Cable	1/8"D	3J21S	H7549	3K3S	H7549	-

Lug Suspension — 1/4 to 3 Tons (EC-1 Models)



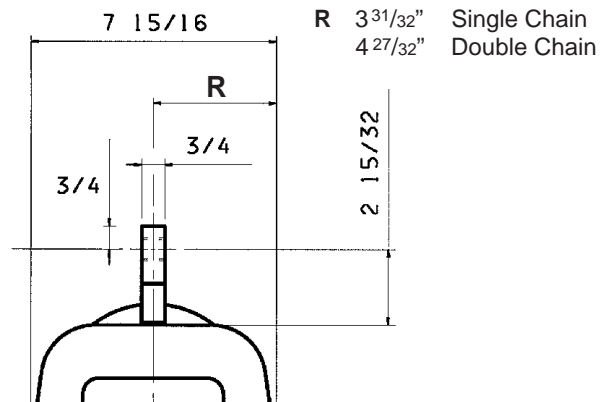
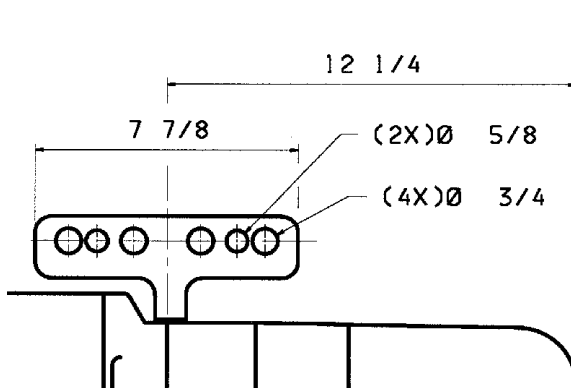
**Multipurpose Lug
(50JG22)**



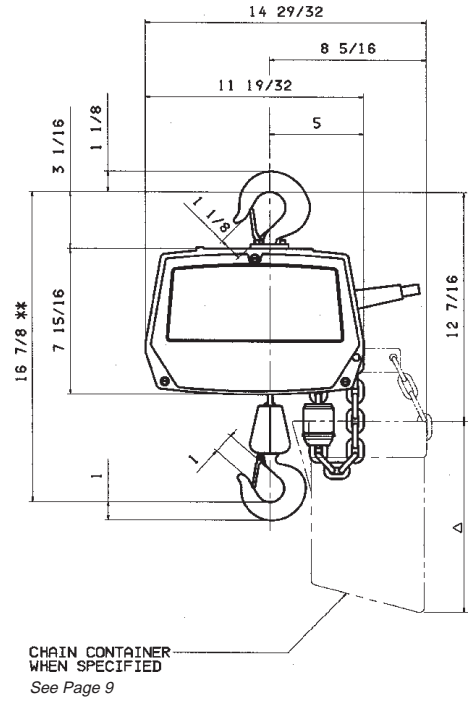
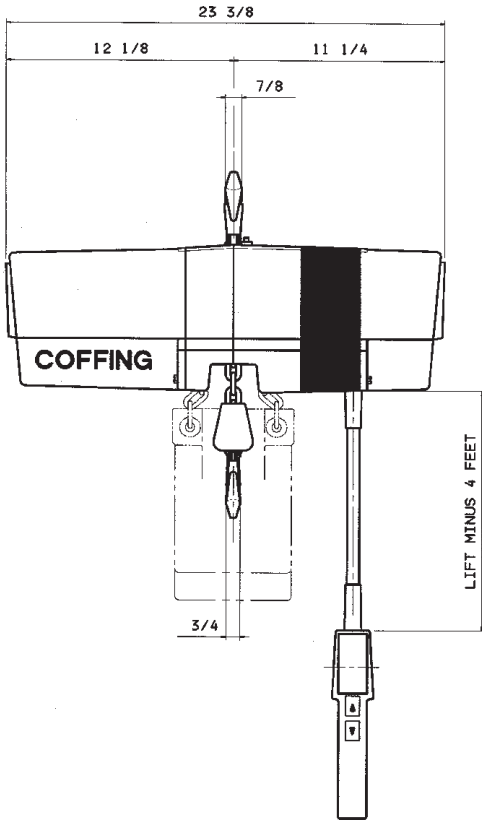
**Standard Lug
(50JG11)**

MultiPurpose Rigid Lug (50KG84) - ELC Models

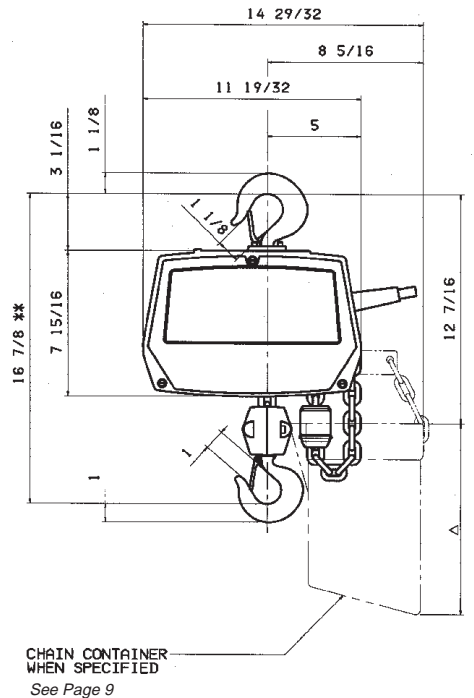
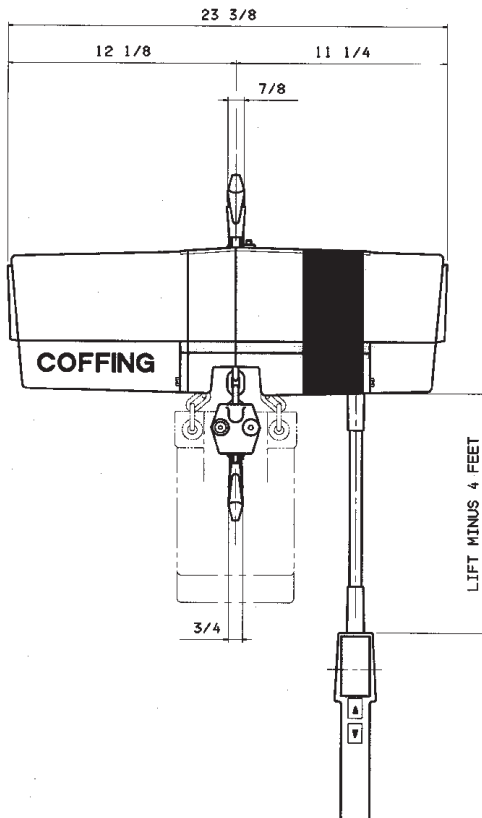
For Mounting ET, CT, and MT Trolleys



EC-1 (Hook Mount) EC-0516 to EC-1032 (1/4 to 1/2 Ton) Single Chain

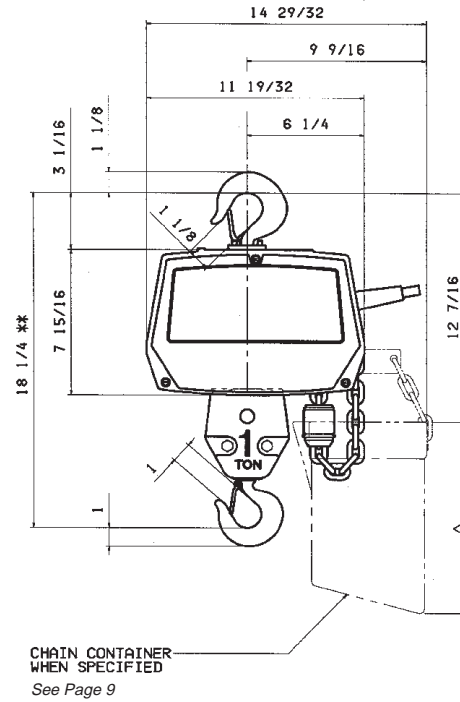
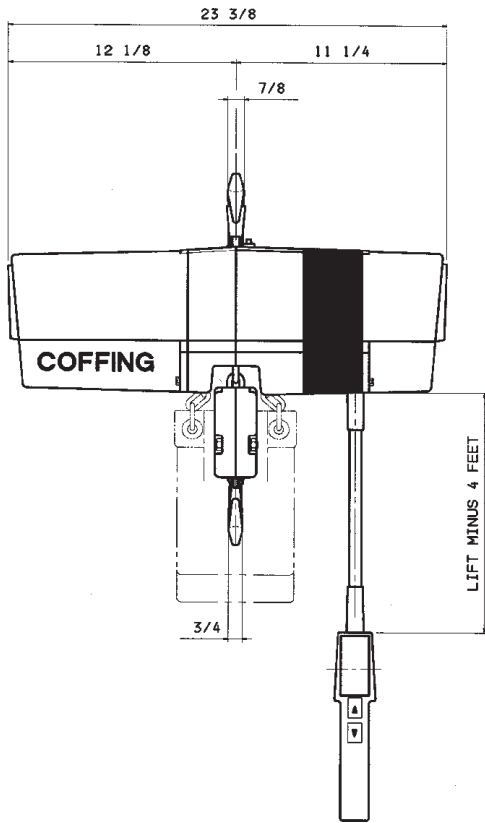


EC-1 (Hook Mount) EC-2012 and EC-2016 (1 Ton) Single Chain

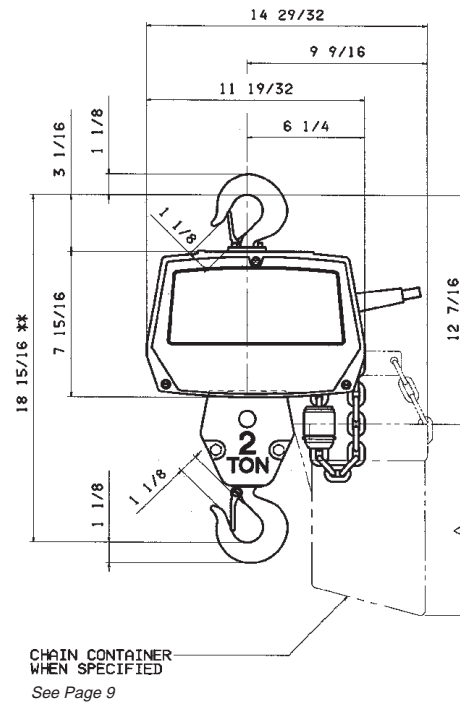
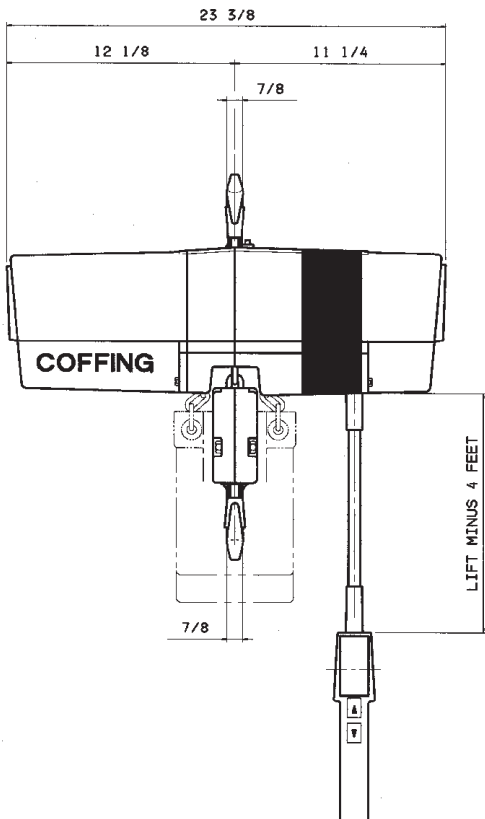


** This dimension allows for 2" clearance between load block and underside of hoist for single chain models.

EC-1 (Hook Mount) EC-2004 and EC-2008 (1 Ton) Double Chain

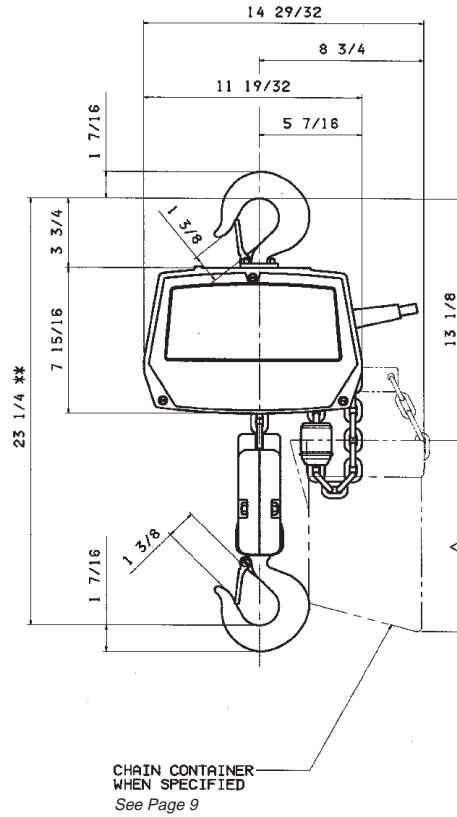
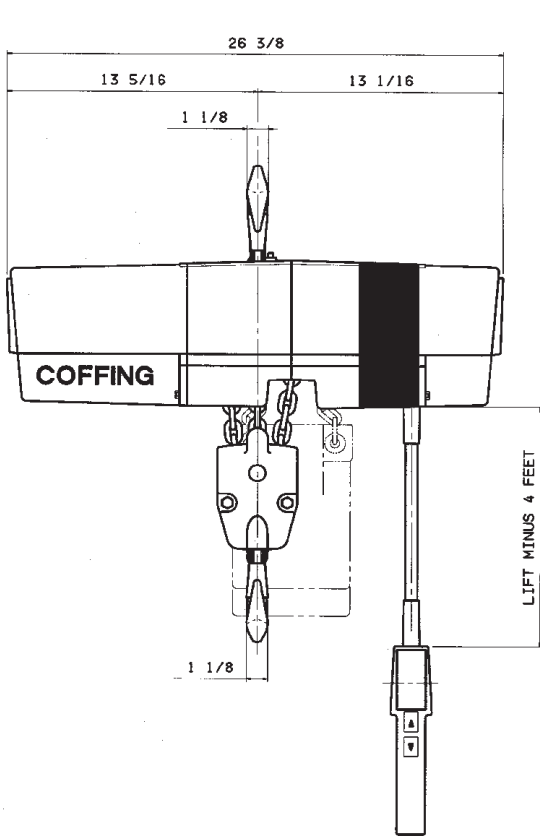


EC-1 (Hook Mount) EC-4006 and EC-4008 (2 Ton) Double Chain

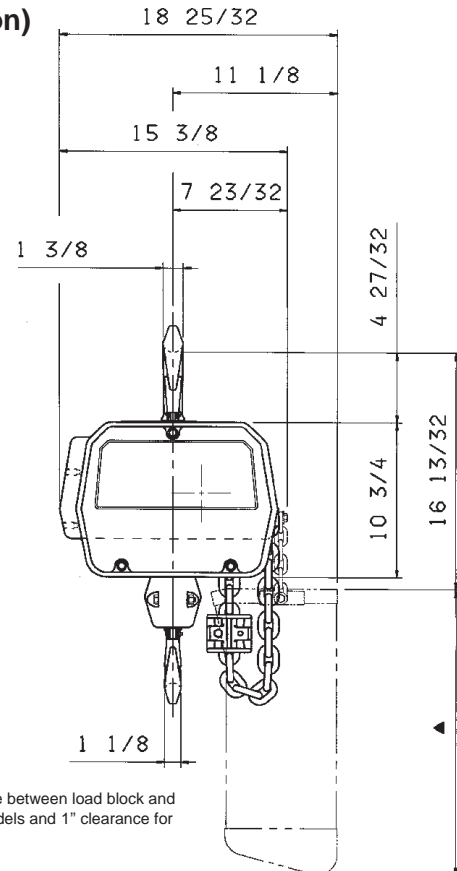
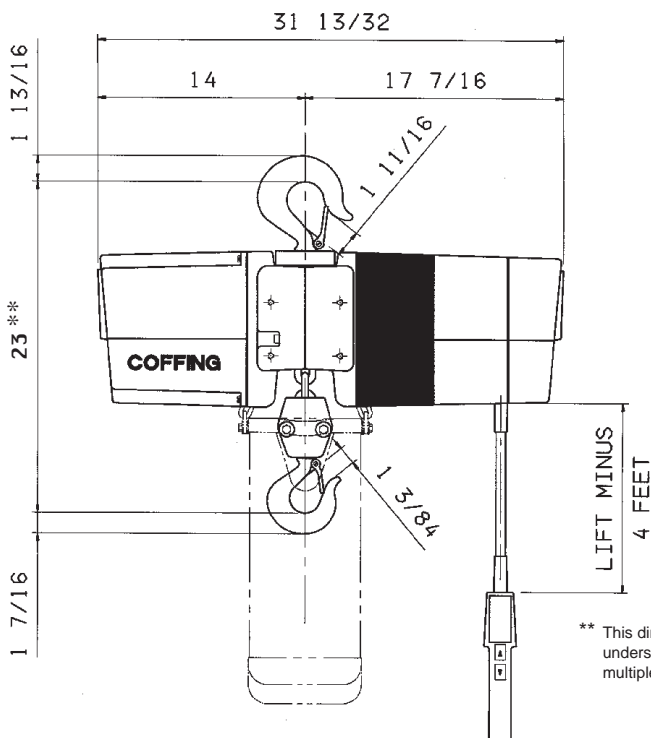


** This dimension allows for 1" clearance between load block and underside of hoist for multiple chain models.

EC-1 (Hook Mount) EC-6005 (3 Ton) Triple Chain

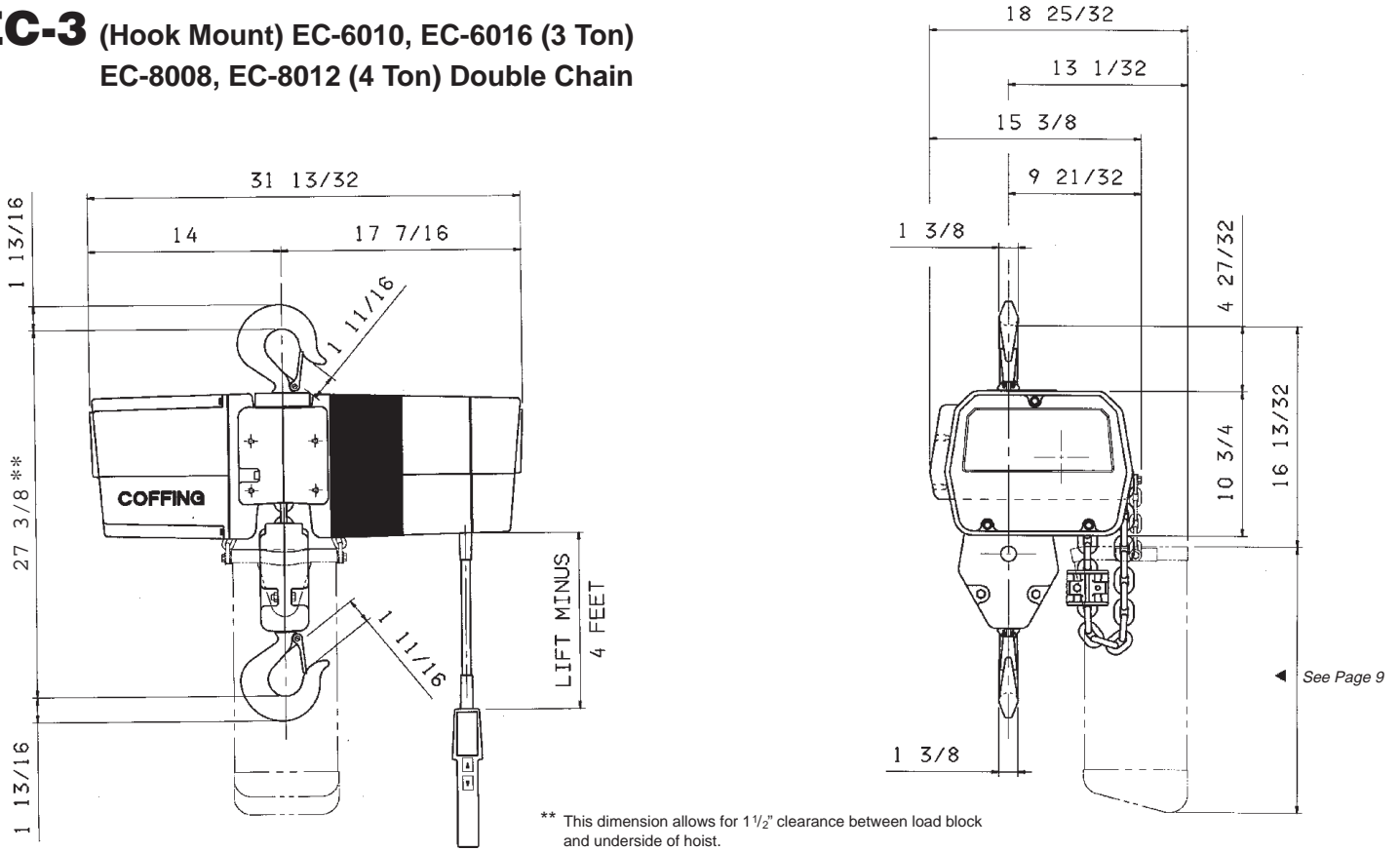


EC-3 (Hook Mount) EC-2032 (1 Ton), EC-4016, EC-4024 (2 Ton) Single Chain

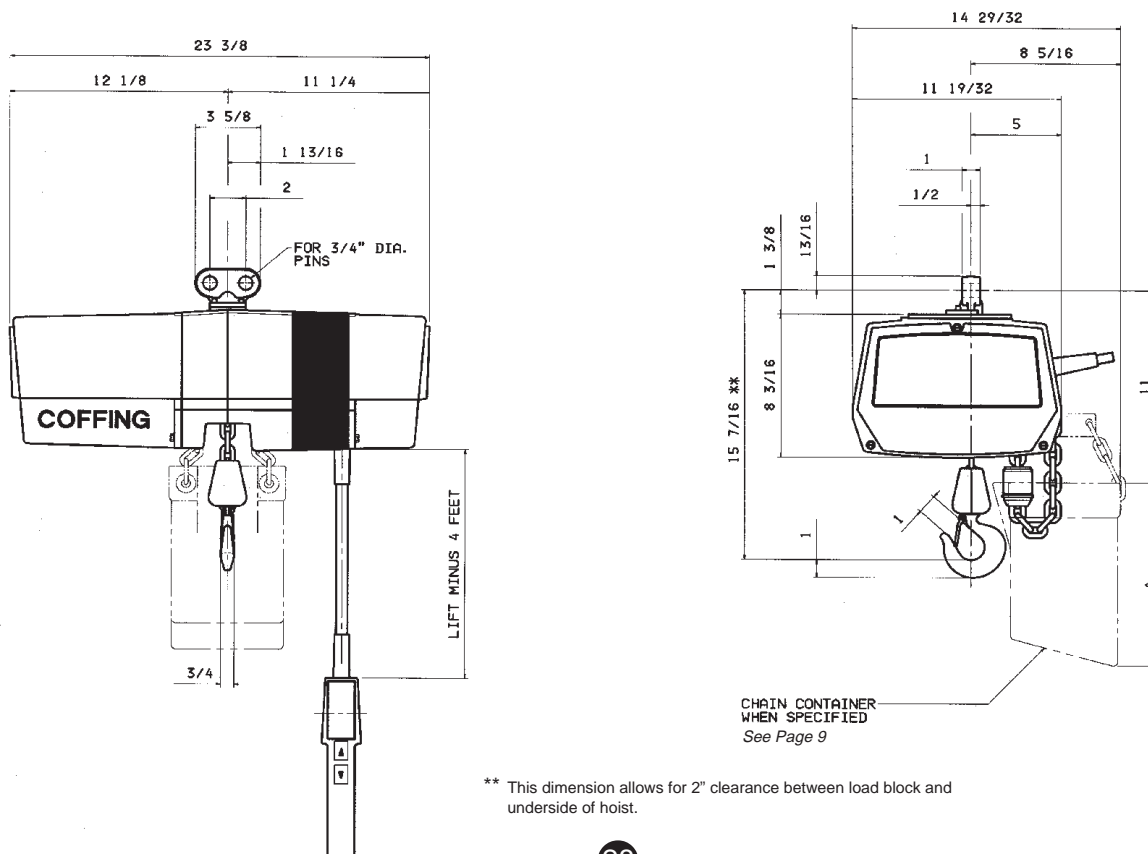


** This dimension allows for 2" clearance between load block and underside of hoist for single chain models and 1" clearance for multiple chain models.

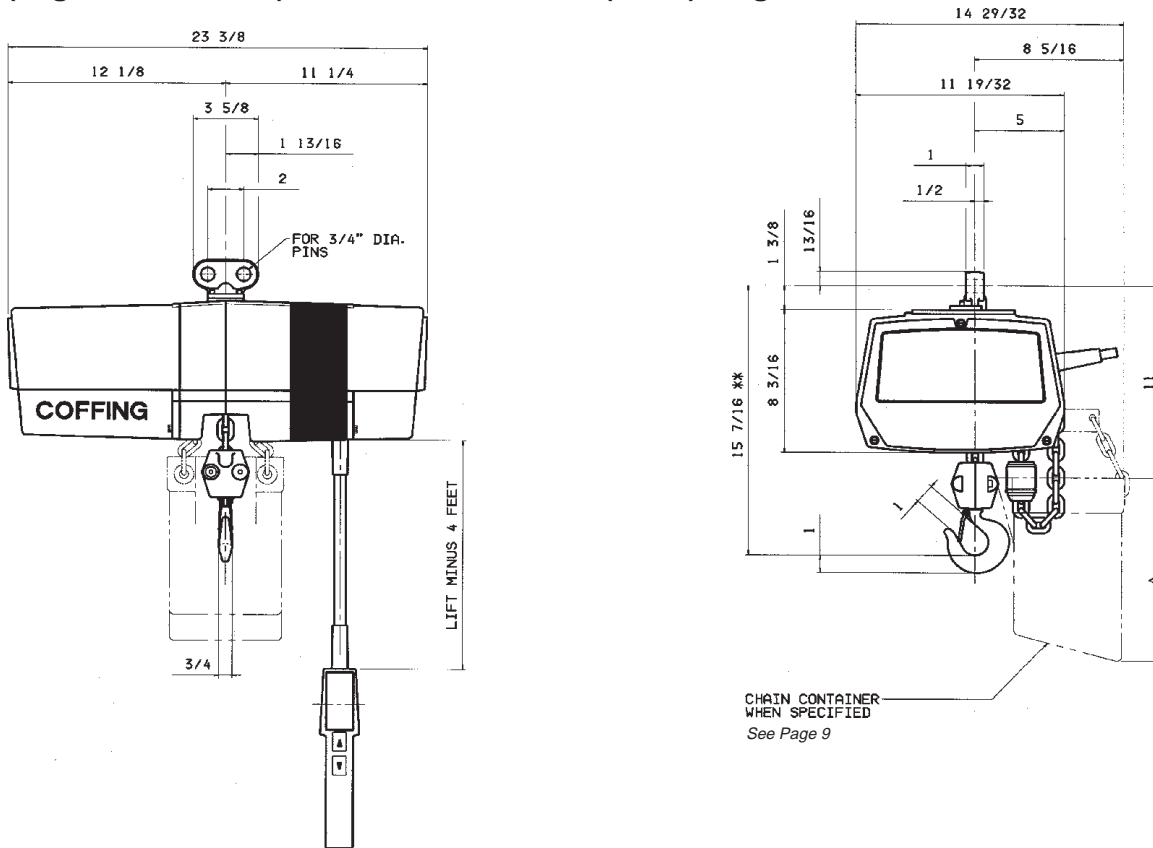
EC-3 (Hook Mount) EC-6010, EC-6016 (3 Ton)
EC-8008, EC-8012 (4 Ton) Double Chain



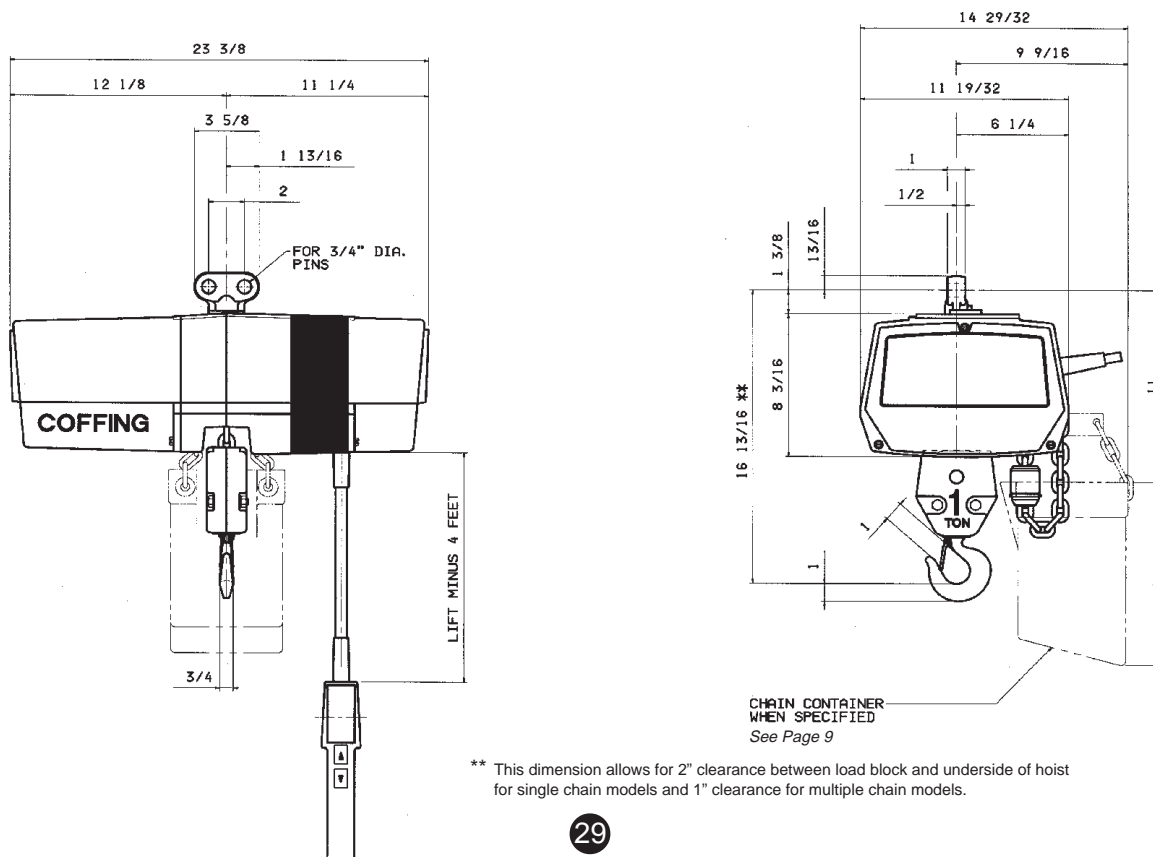
EC-1 (Lug Mount 50JG11) EC-0516 to EC-1032 ($\frac{1}{4}$ to $\frac{1}{2}$ Ton) Single Chain



EC-1 (Lug Mount 50JG11) EC-2012 and EC-2016 (1 Ton) Single Chain

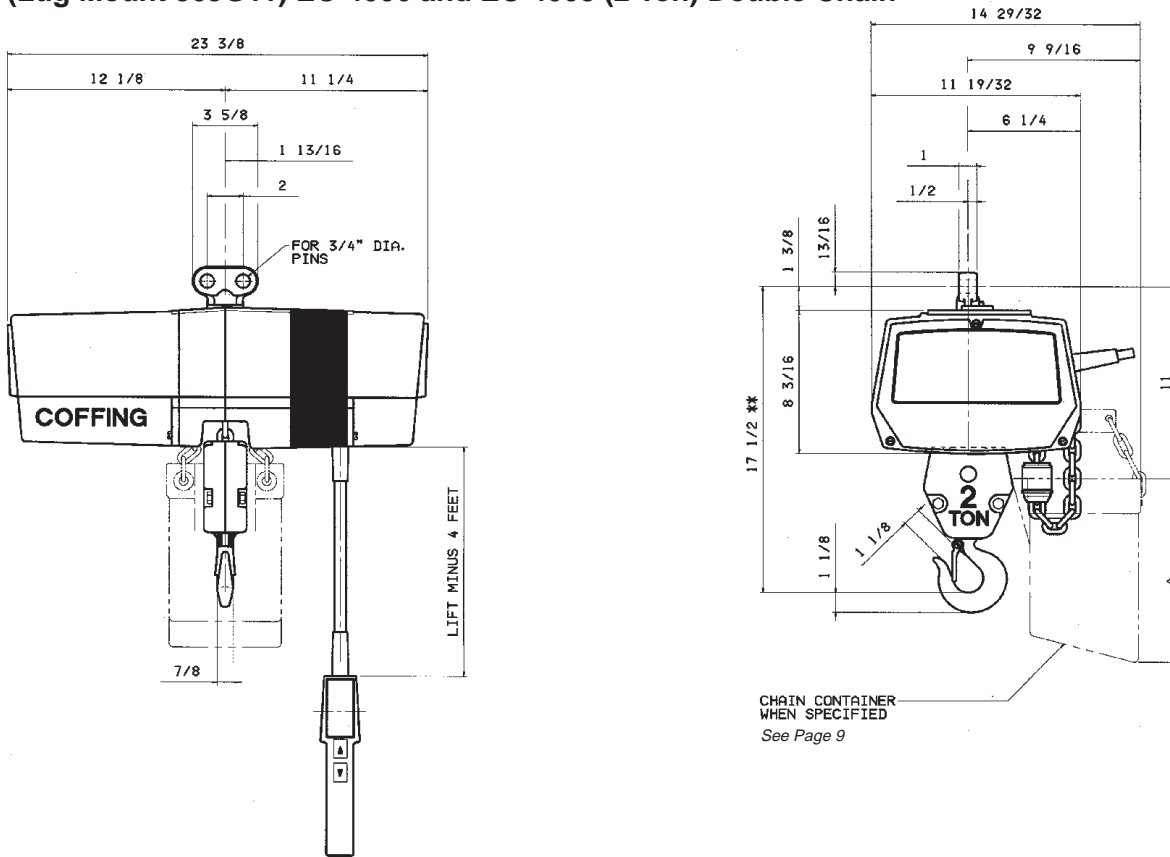


EC-1 (Lug Mount 50JG11) EC-2004 and EC-2008 (1 Ton) Double Chain

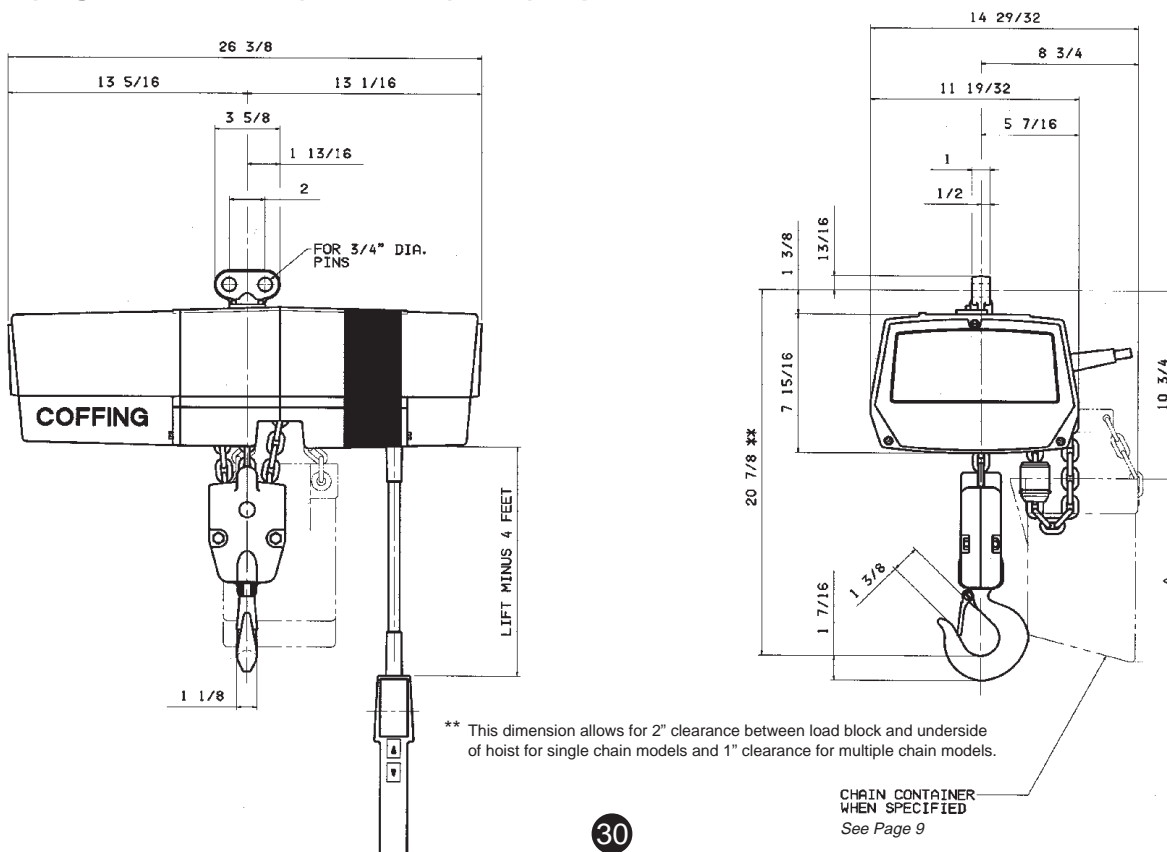


** This dimension allows for 2" clearance between load block and underside of hoist for single chain models and 1" clearance for multiple chain models.

EC-1 (Lug Mount 50JG11) EC-4006 and EC-4008 (2 Ton) Double Chain

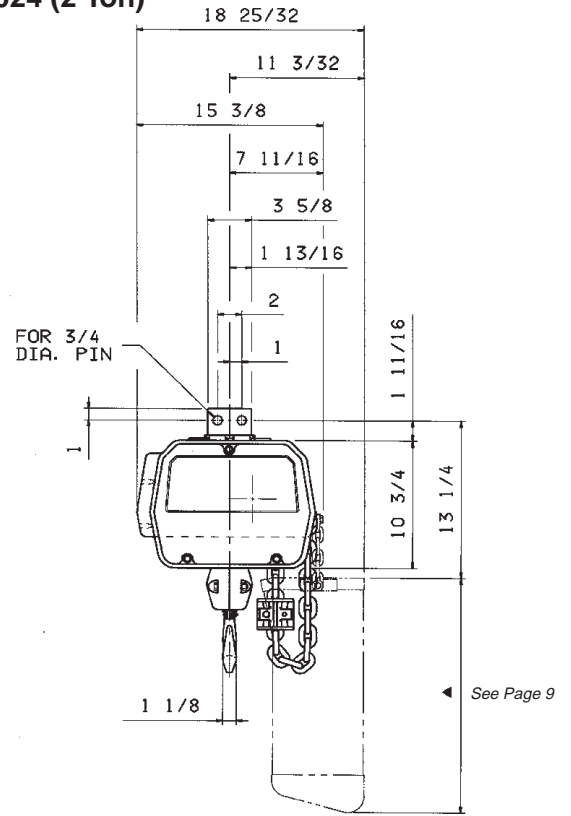
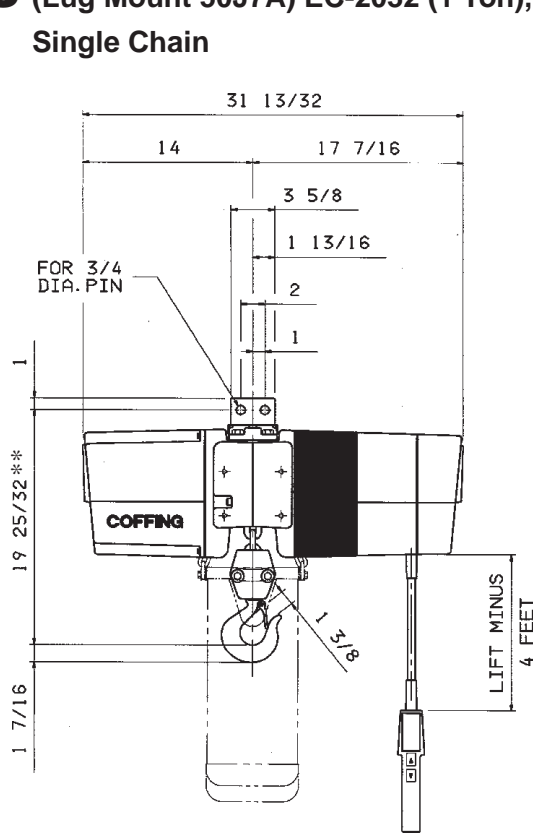


EC-1 (Lug Mount 50JG53) EC-6005 (3 Ton) Triple Chain



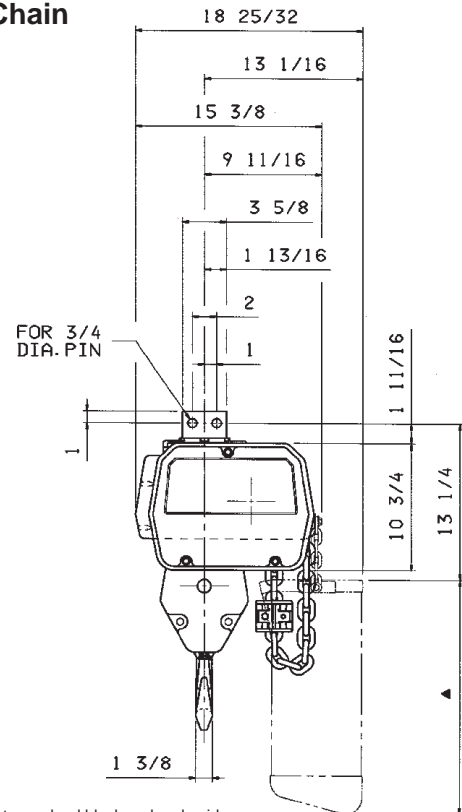
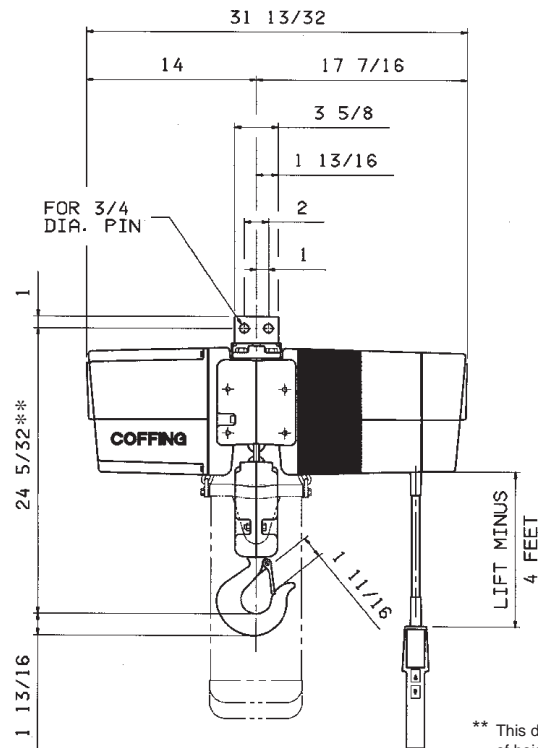
** This dimension allows for 2" clearance between load block and underside of hoist for single chain models and 1" clearance for multiple chain models.

EC-3 (Lug Mount 50J7A) EC-2032 (1 Ton), EC-4016, EC-4024 (2 Ton)
Single Chain



See Page 9

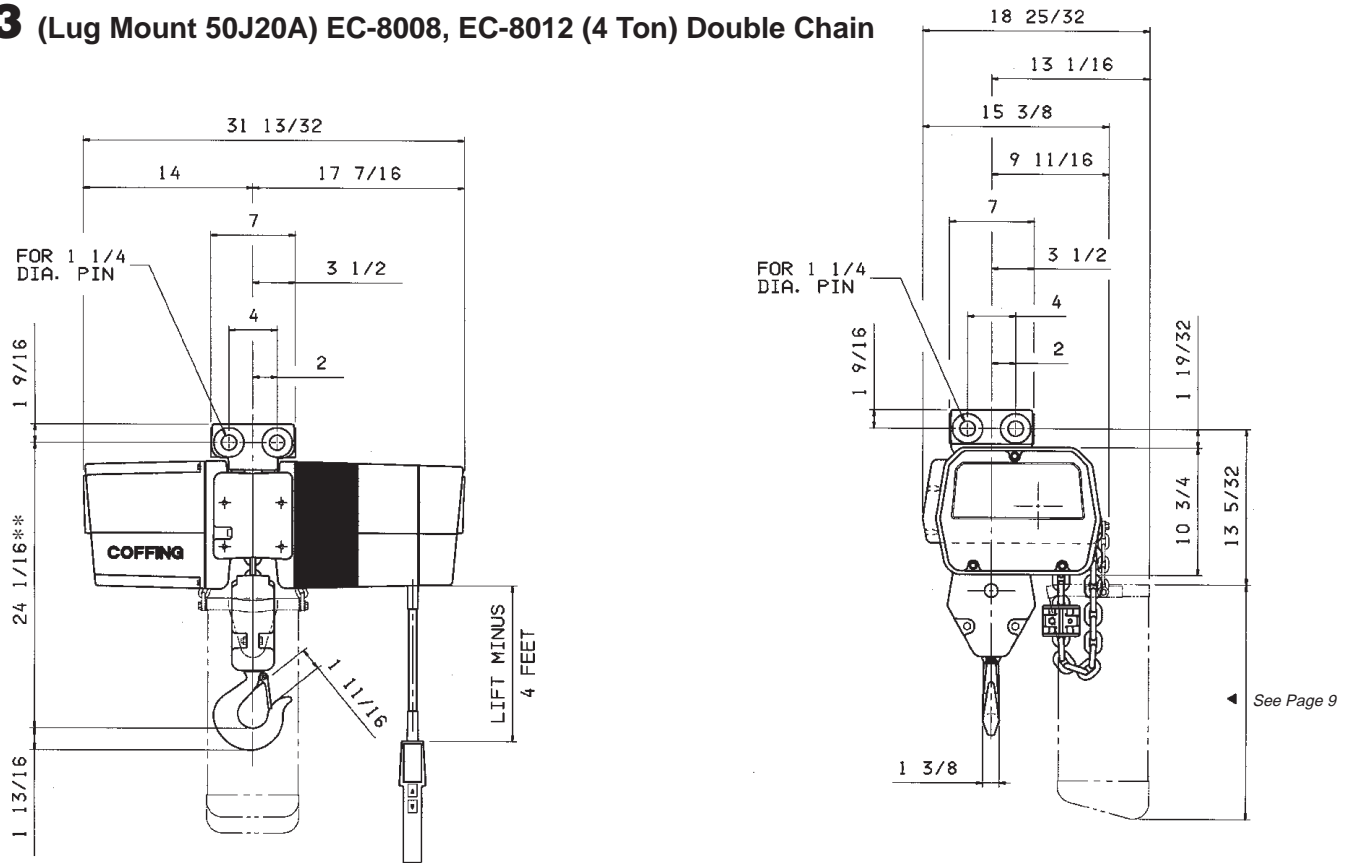
EC-3 (Lug Mount 50J7A) EC-6010, EC-6016 (3 Ton) Double Chain



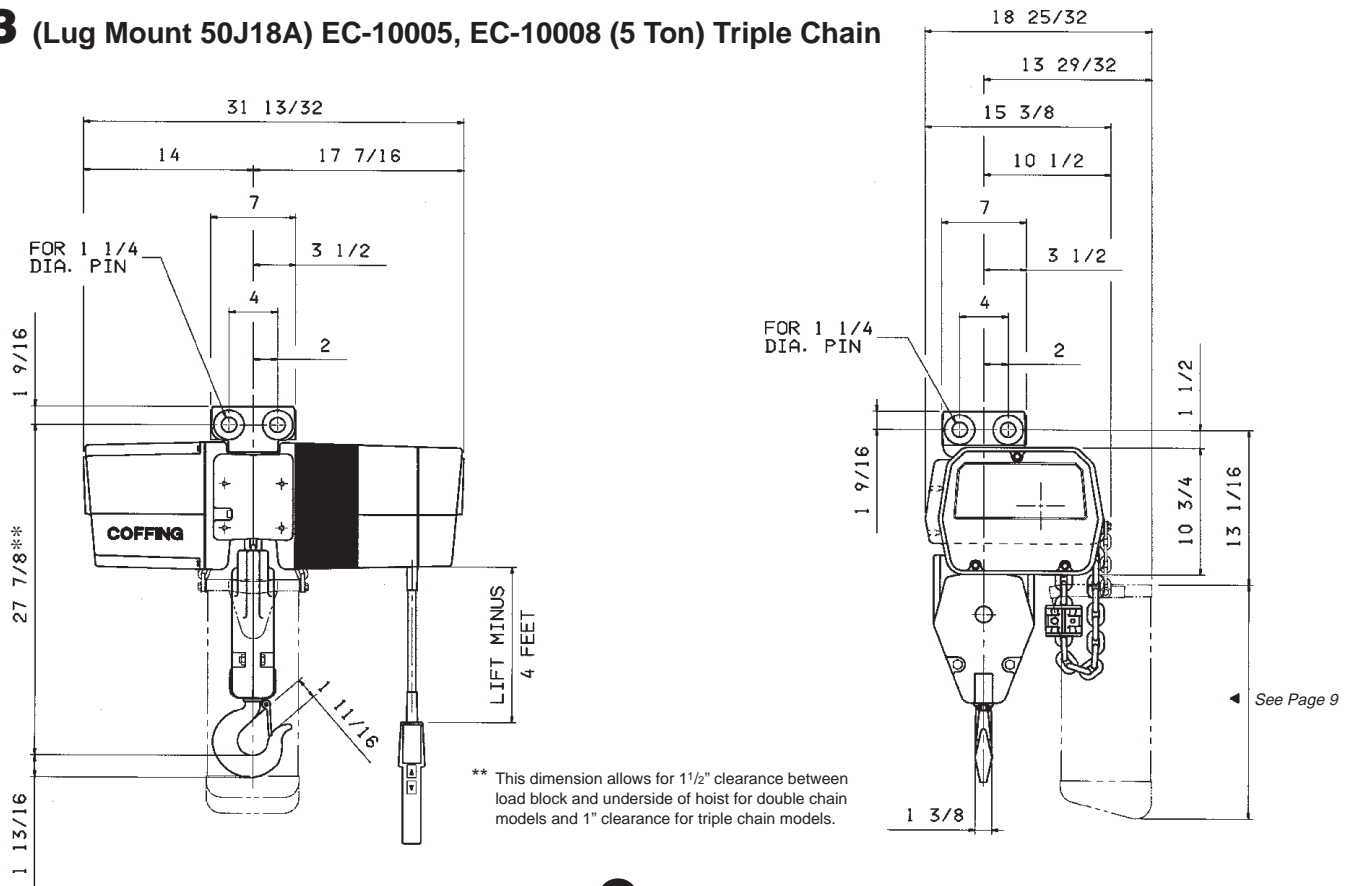
See Page 9

** This dimension allows for 2" clearance between load block and underside of hoist for single chain models and 1 1/2" clearance for multiple chain models.

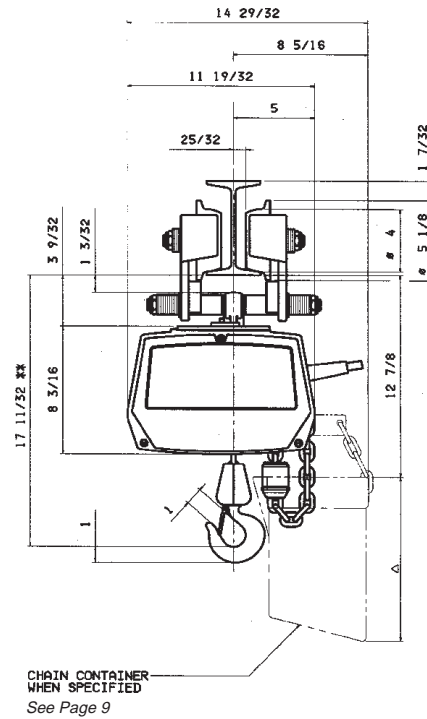
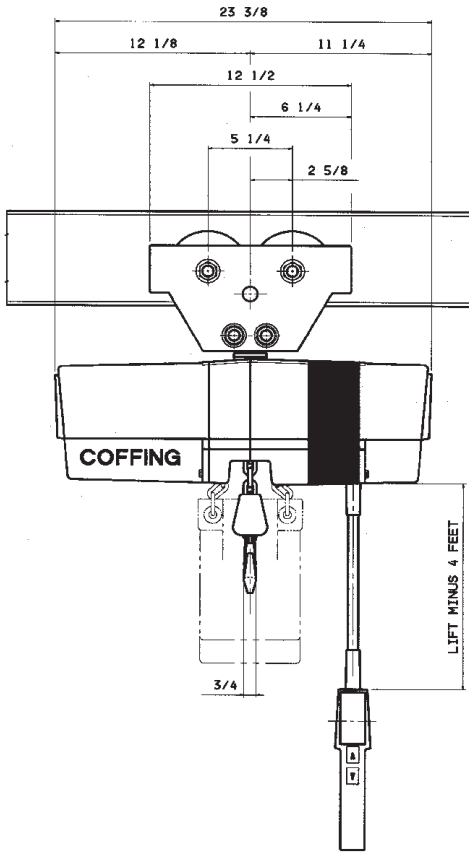
EC-3 (Lug Mount 50J20A) EC-8008, EC-8012 (4 Ton) Double Chain



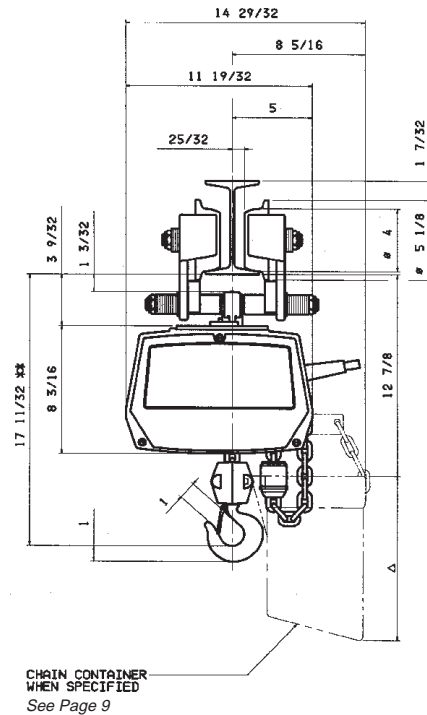
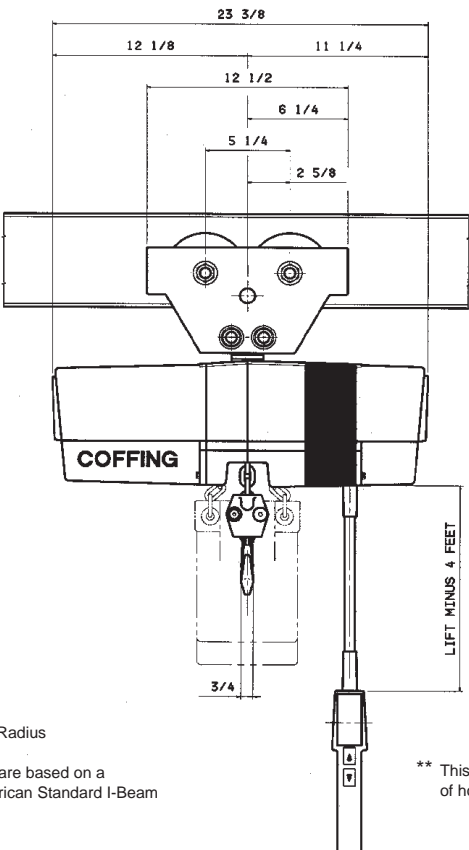
EC-3 (Lug Mount 50J18A) EC-10005, EC-10008 (5 Ton) Triple Chain



EC-1 (Plain Trolley) ECT-0516 to ECT-1032 (1/4 to 1/2 Ton) Single Chain (Parallel Mounted)



EC-1 (Plain Trolley) ECT-2012 and ECT-2016 (1 Ton) Single Chain (Parallel Mounted)

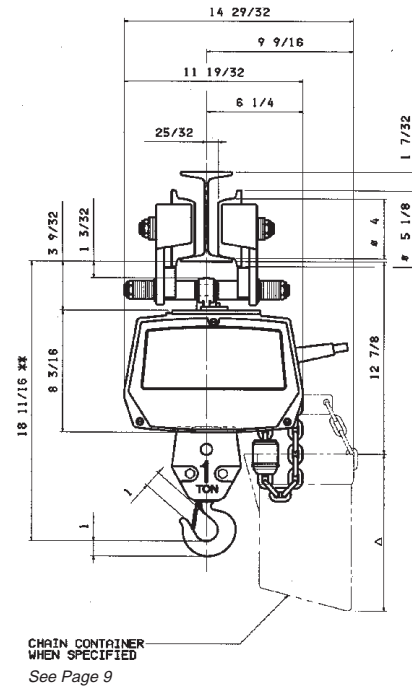
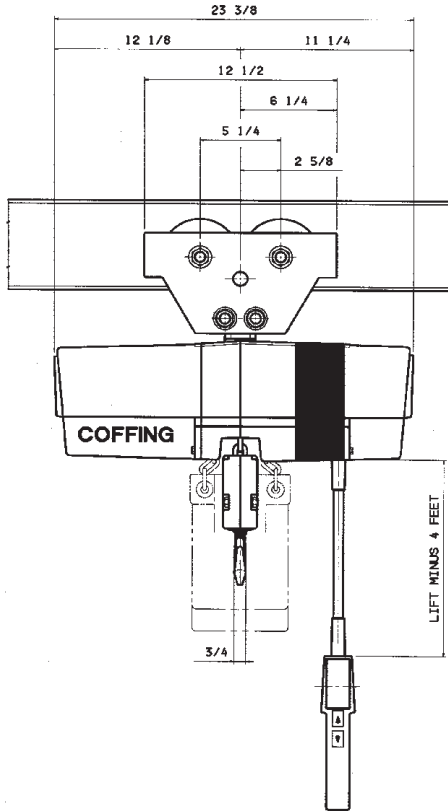


4 Ft. Minimum Radius

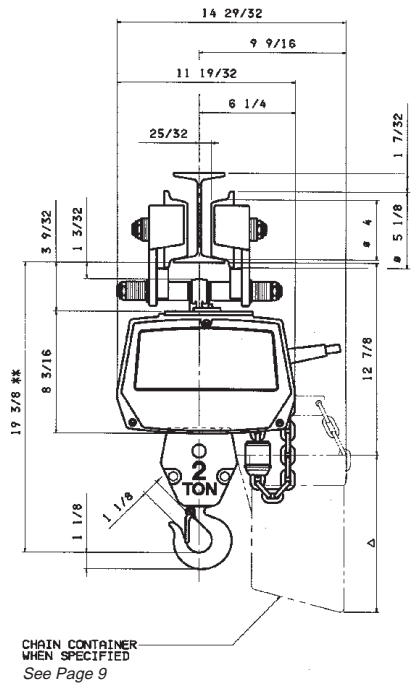
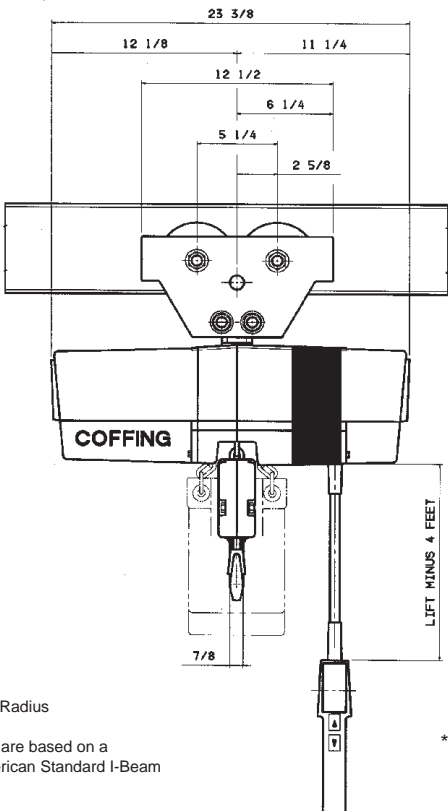
All dimensions are based on a
6" x 12.5# American Standard I-Beam

** This dimension allows for 2" clearance between load block and underside of hoist for single chain models and 1" clearance for multiple chain models.

EC-1 (Plain Trolley) ECT-2004 and ECT-2008 (1 Ton) Double Chain (Parallel Mount)



EC-1 (Plain Trolley) ECT-4006 and ECT-4008 (2 Ton) Double Chain (Parallel Mount)

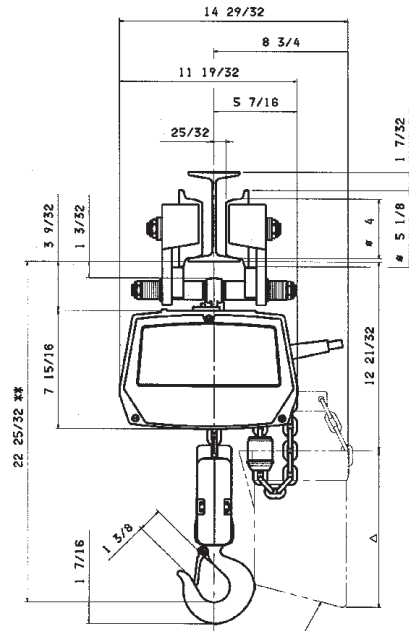
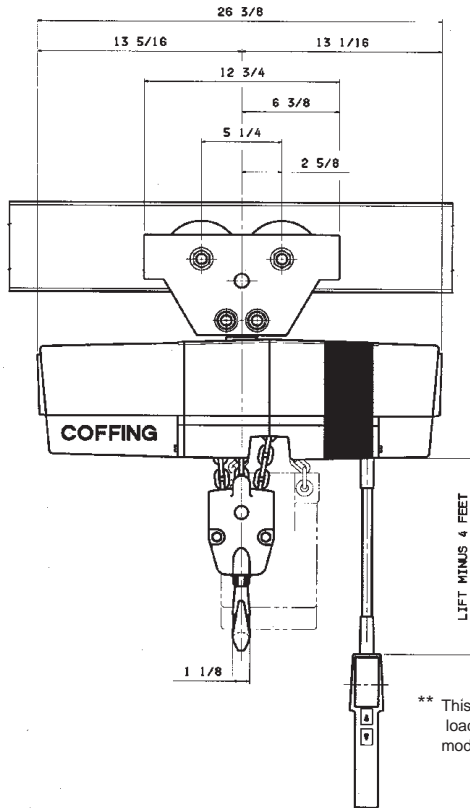


4 Ft. Minimum Radius

All dimensions are based on a 6" x 12.5# American Standard I-Beam

** This dimension allows for 2" clearance between load block and underside of hoist for single chain models and 1" clearance for multiple chain models.

EC-1 (Plain Trolley) ECT-6005 (3 Ton) Triple Chain (Parallel Mount)



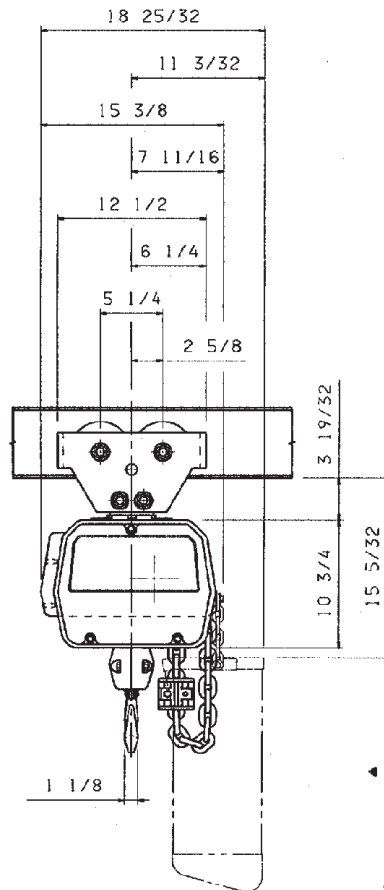
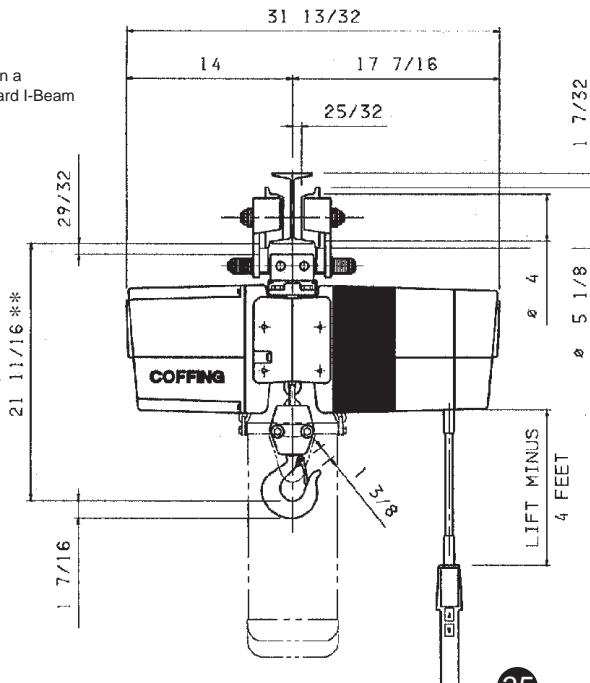
** This dimension allows for 2" clearance between load block and underside of hoist for single chain models and 1" clearance for multiple chain models.

CHAIN CONTAINER WHEN SPECIFIED See Page 9

EC-3 (Plain Trolley) ECT-2032 (1 Ton), ECT-4016, ECT-4024 (2 Ton) (Cross Mounted)

4 Ft. Minimum Radius

All dimensions are based on a 6" x 12.5# American Standard I-Beam



** This dimension allows for 2" clearance between load block and underside of hoist.

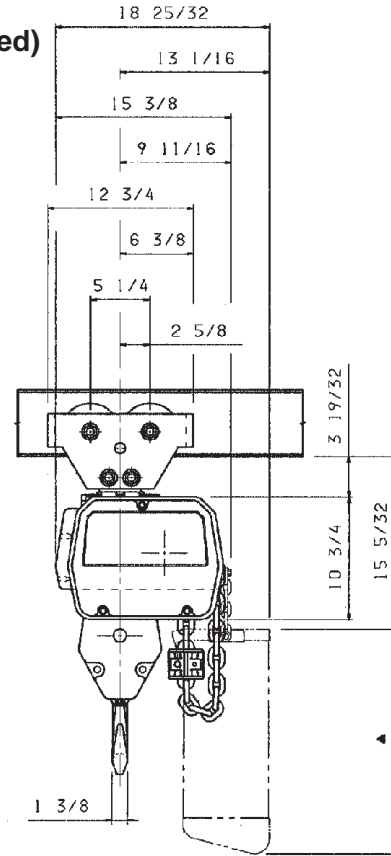
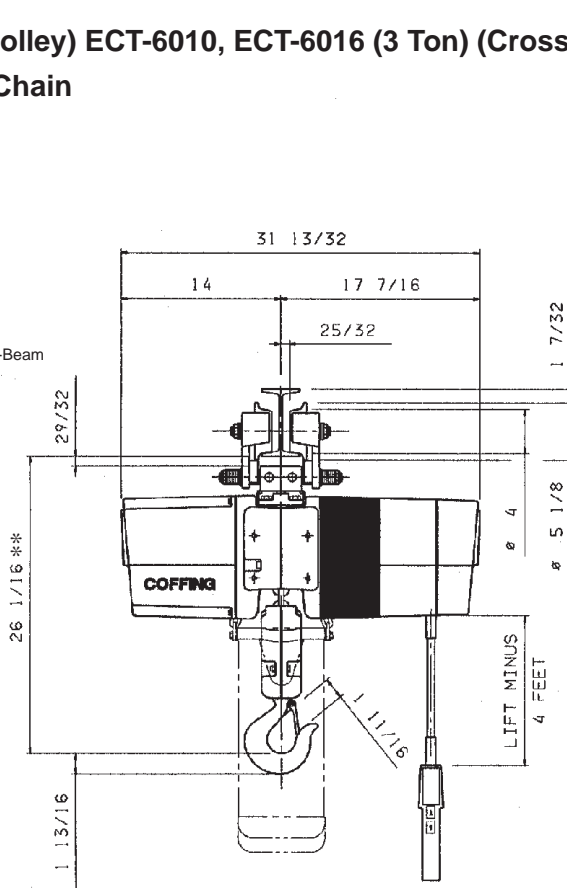
See Page 9

EC-3 (Plain Trolley) ECT-6010, ECT-6016 (3 Ton) (Cross Mounted) Double Chain

4 Ft. Minimum Radius

All dimensions are based on a 6" x 12.5# American Standard I-Beam

** This dimension allows for 1 1/2" clearance between load block and underside of hoist.



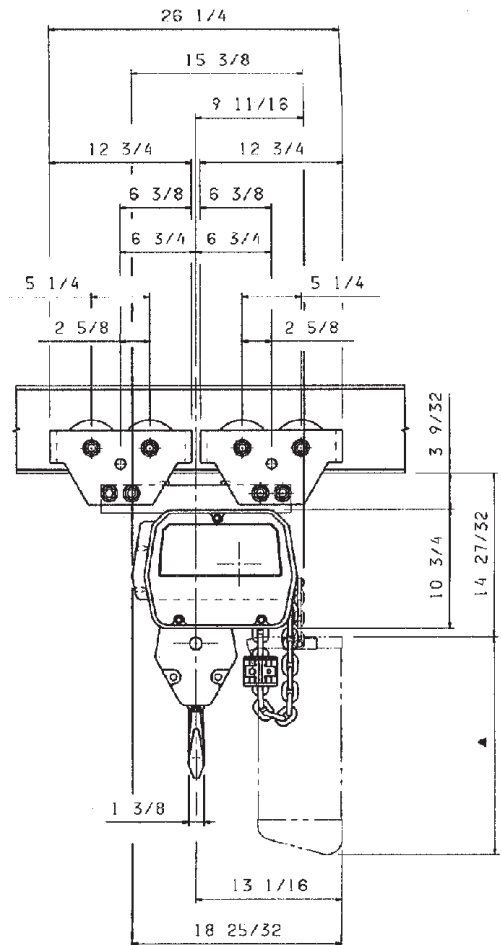
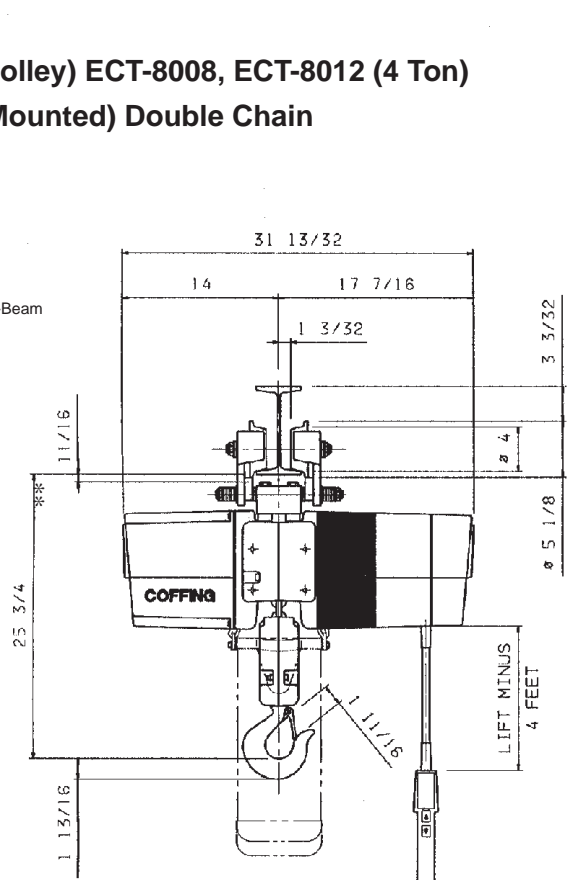
See Page 9

EC-3 (Plain Trolley) ECT-8008, ECT-8012 (4 Ton) (Cross Mounted) Double Chain

STRAIGHT TRACK ONLY

All dimensions are based on a 8" x 18.4# American Standard I-Beam

** This dimension allows for 1 1/2" clearance between load block and underside of hoist.



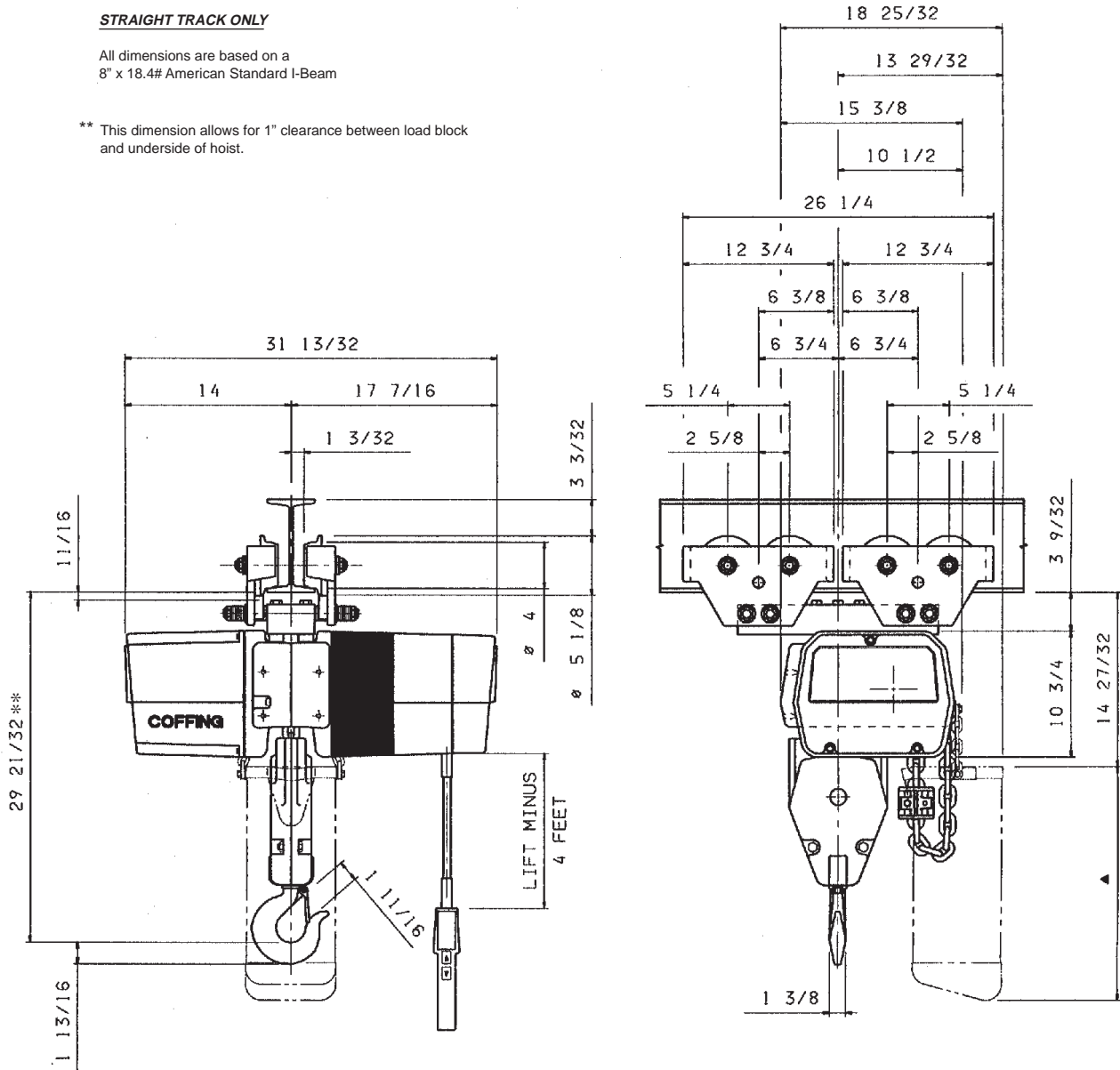
See Page 9

EC-3 (Plain Trolley) ECT-10005, ECT-10008 (5 Ton) (Cross Mounted) Triple Chain

STRAIGHT TRACK ONLY

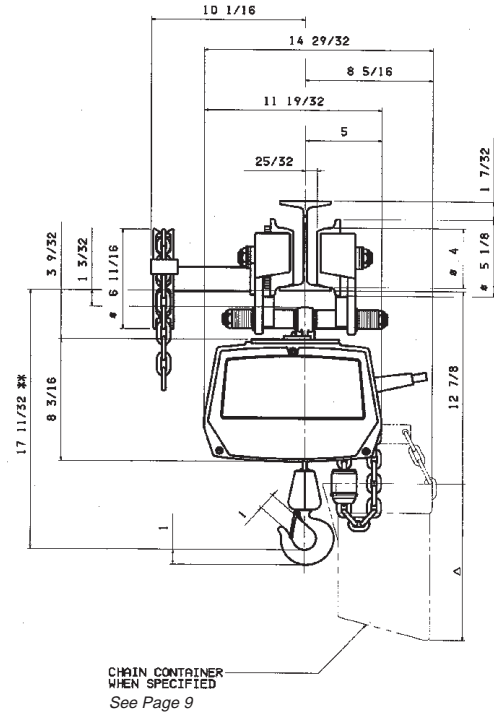
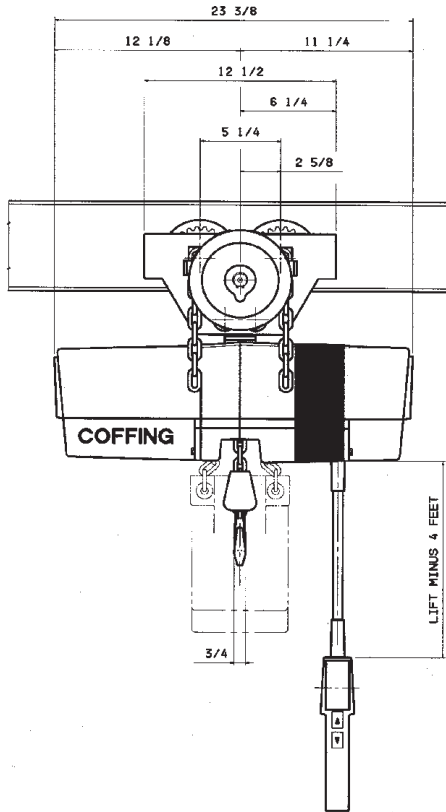
All dimensions are based on a
8" x 18.4# American Standard I-Beam

** This dimension allows for 1" clearance between load block and underside of hoist.

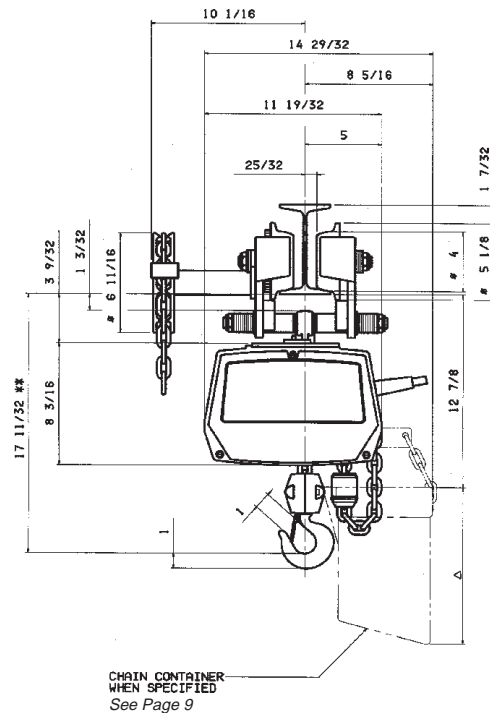
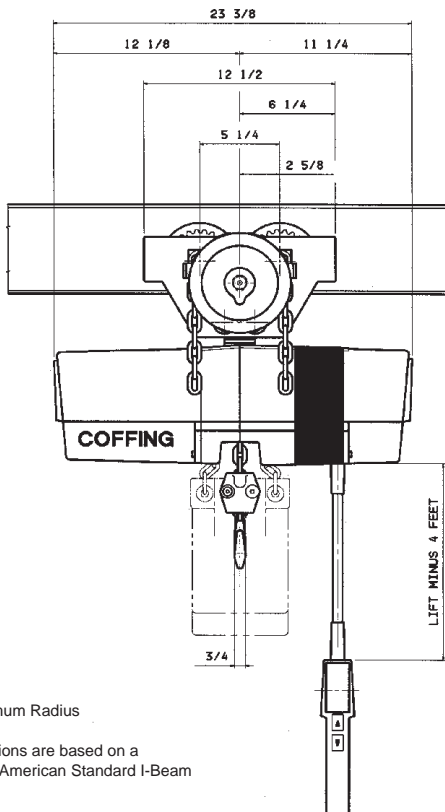


See Page 9

EC-1 (Geared Trolley) ECGT-0516 to ECGT-1032 (1/4 to 1/2 Ton) Single Chain (Parallel Mount)



EC-1 (Geared Trolley) ECGT-2012 and ECGT-2016 (1 Ton) Single Chain (Parallel Mount)

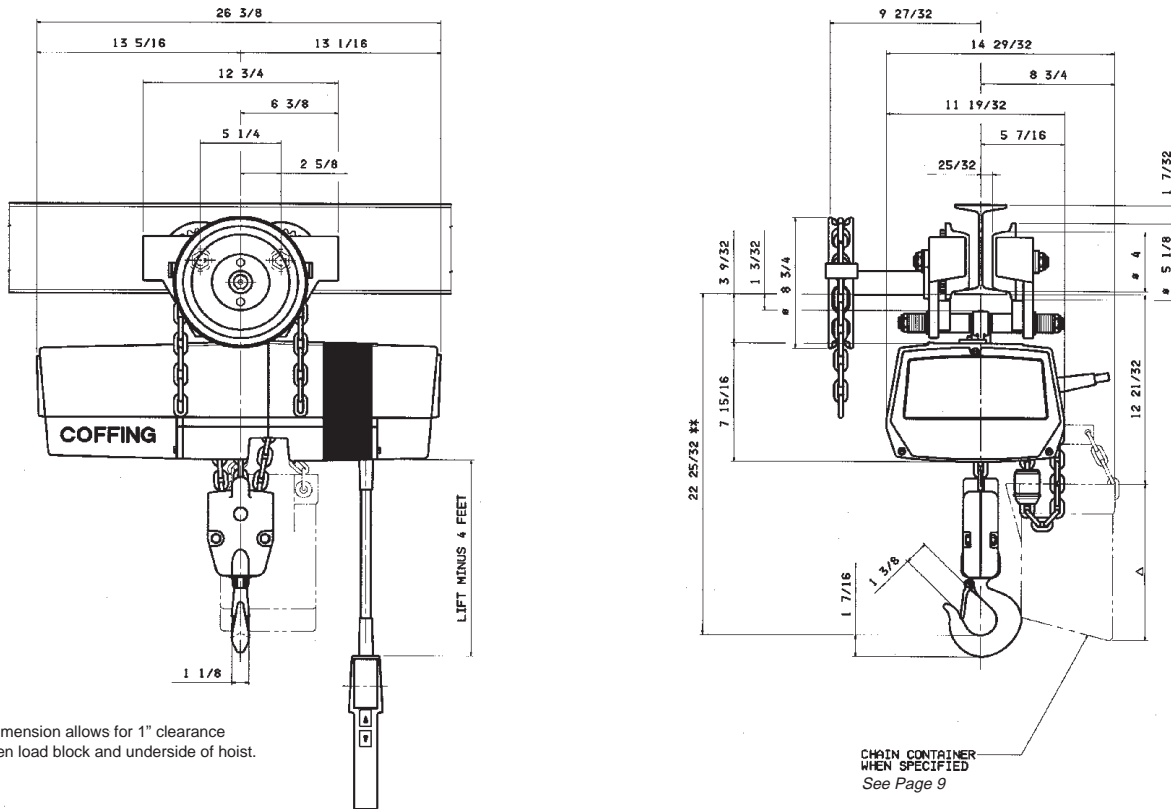


4 Ft. Minimum Radius

All dimensions are based on a 6" x 12.5# American Standard I-Beam

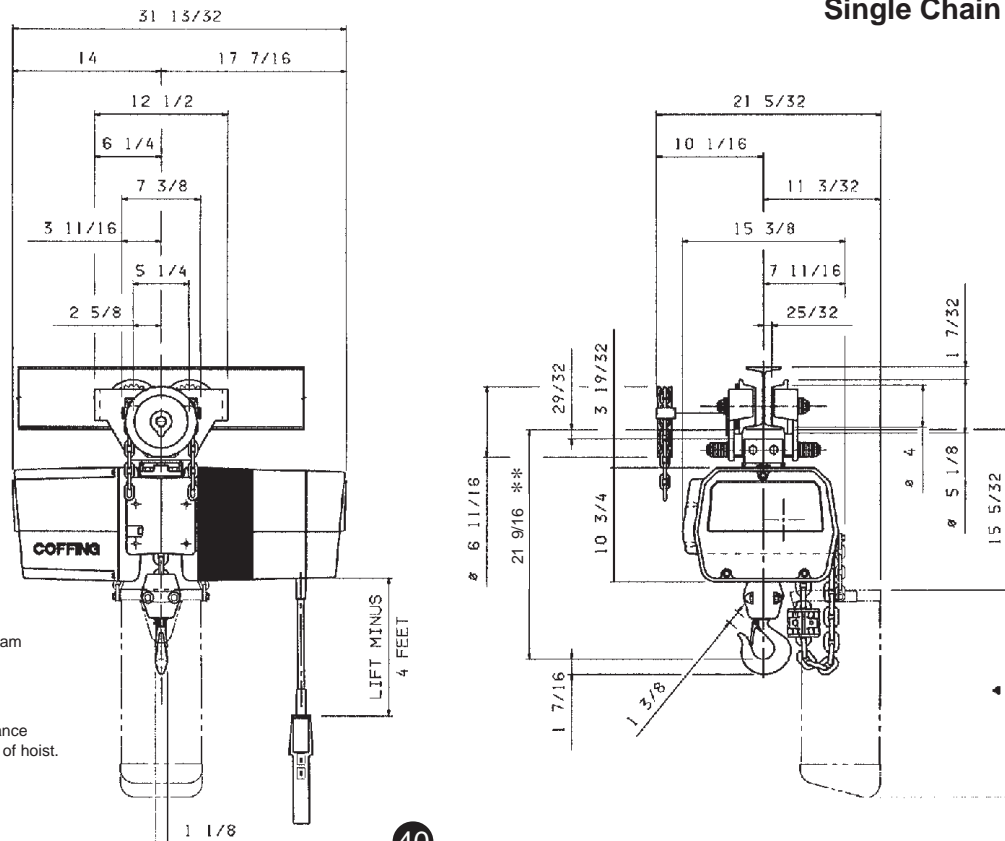
** This dimension allows for 2" clearance between load block and underside of hoist for single chain models and 1" clearance for multiple chain models.

EC-1 (Geared Trolley) ECGT-6005 (3 Ton) Triple Chain (Parallel Mount)



** This dimension allows for 1" clearance between load block and underside of hoist.

EC-3 (Geared Trolley) ECGT-2032 (1 Ton), ECGT-4016, ECGT-4024 (2 Ton) (Parallel Mount) Single Chain

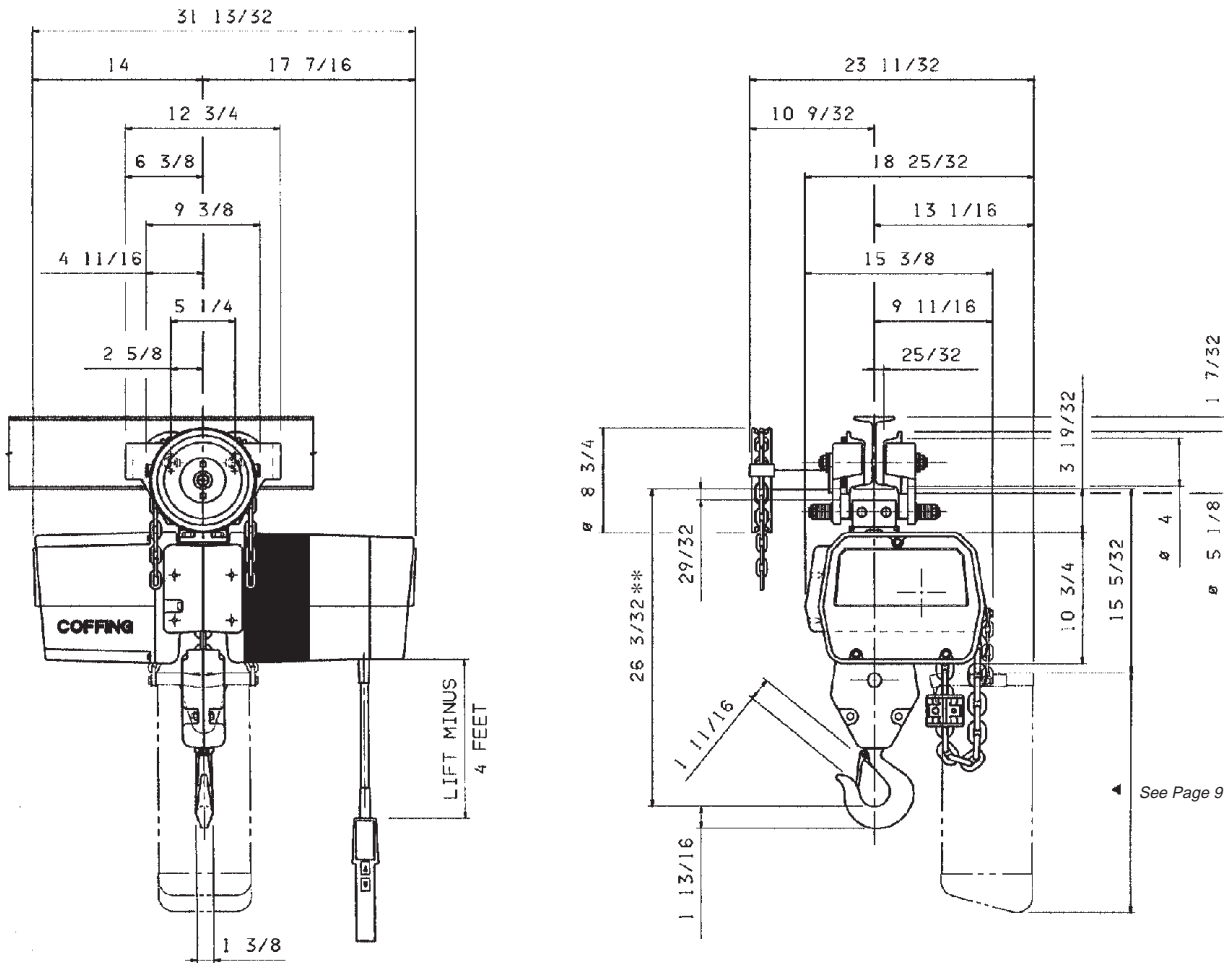


4 Ft. Minimum Radius

All dimensions are based on a 6" x 12.5# American Standard I-Beam

** This dimension allows for 2" clearance between load block and underside of hoist.

EC-3 (Geared Trolley) ECGT-6010, ECGT-6016 (3 Ton) (Parallel Mount) Double Chain



4 Ft. Minimum Radius

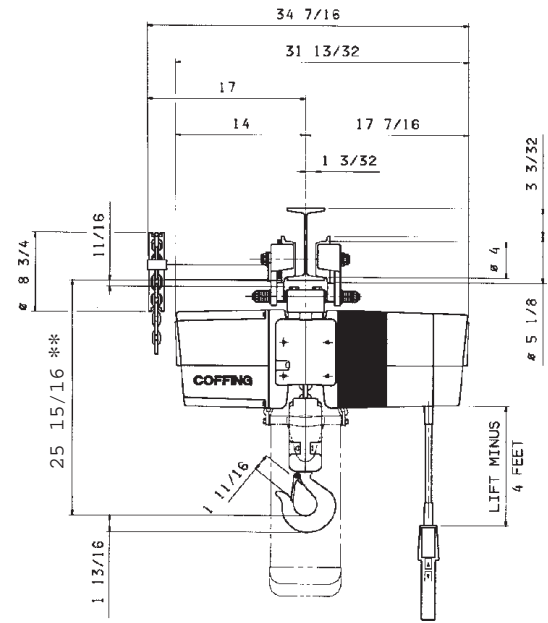
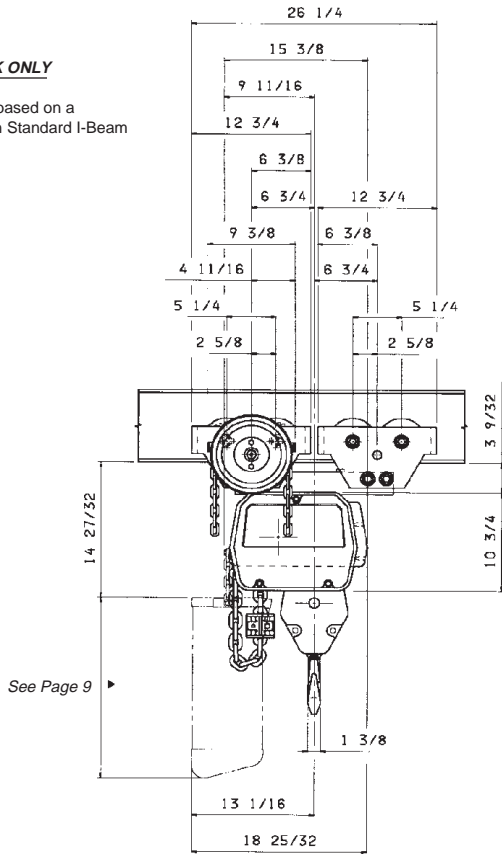
All dimensions are based on a
6" x 12.5# American Standard I-Beam

** This dimension allows for 1" clearance
between load block and underside of hoist.

EC-3 (Geared Trolley) ECGT-8008, ECGT-8012 (4 Ton) (Cross Mounted) Double Chain

STRAIGHT TRACK ONLY

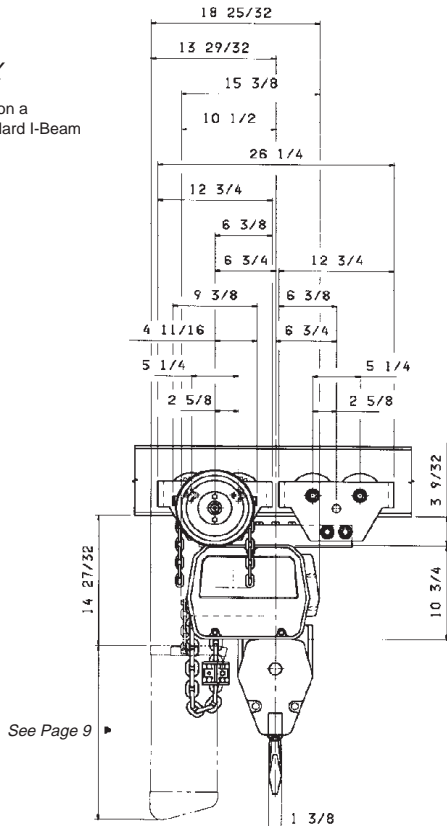
All dimensions are based on a
8" x 18.4# American Standard I-Beam



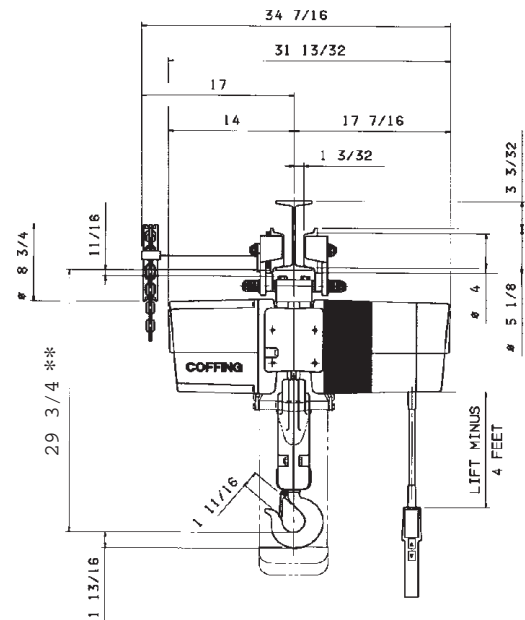
EC-3 (Geared Trolley) ECGT-10005, ECGT-10008 (5 Ton) (Cross Mounted) Triple Chain

STRAIGHT TRACK ONLY

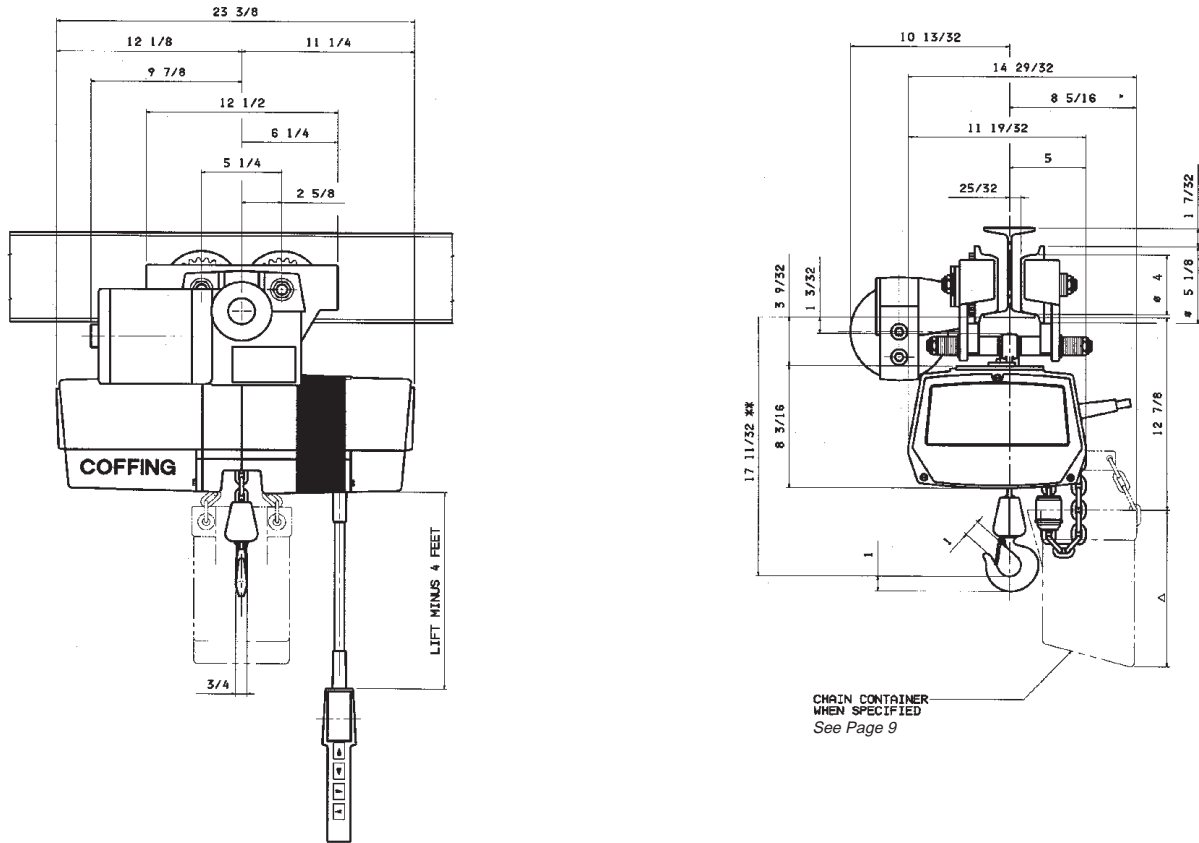
All dimensions are based on a
8" x 18.4# American Standard I-Beam



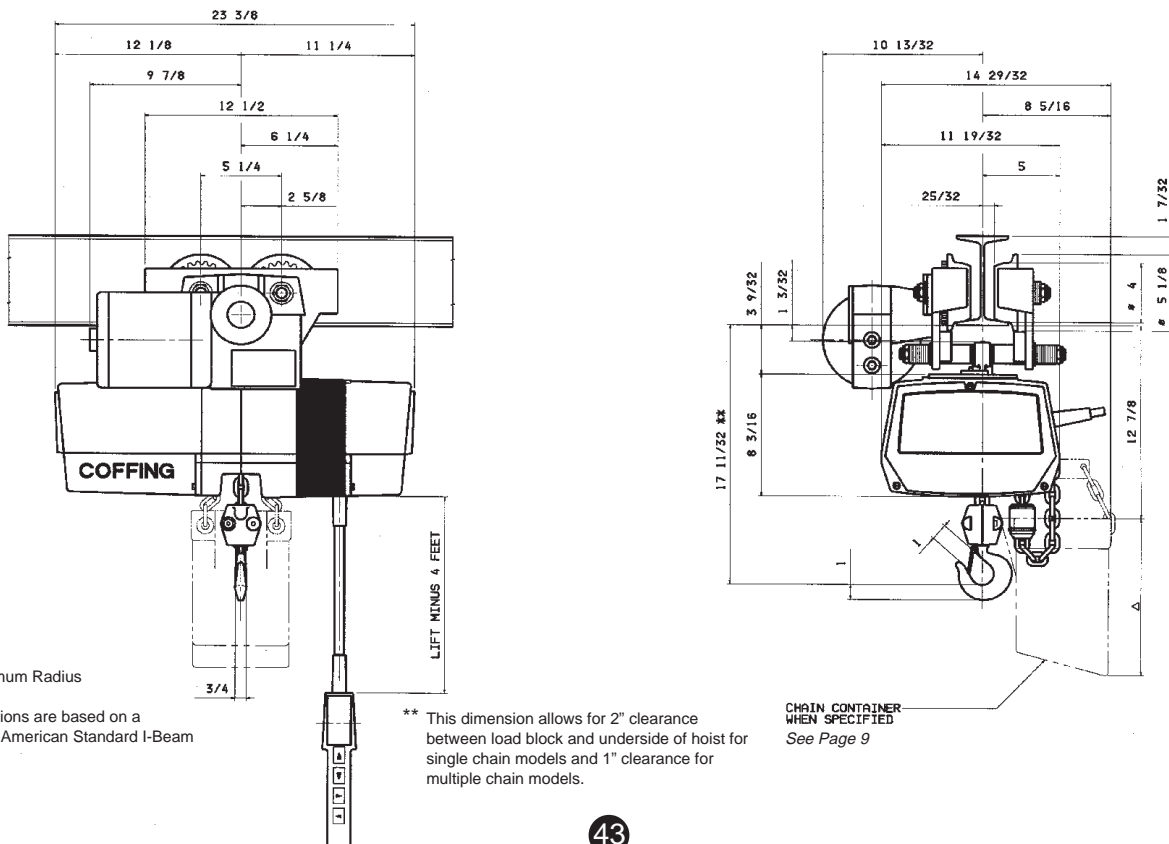
** This dimension allows for 1/2" clearance between load block and underside of hoist for double chain models and 1" clearance for triple chain models.



EC-1 (Motorized Trolley) ECMT-0516 to ECMT-1032 (1/4 to 1/2 Ton) Single Chain (Parallel Mounted)



EC-1 (Motorized Trolley) ECMT-2012 and ECMT-2016 (1 Ton) Single Chain (Parallel Mounted)

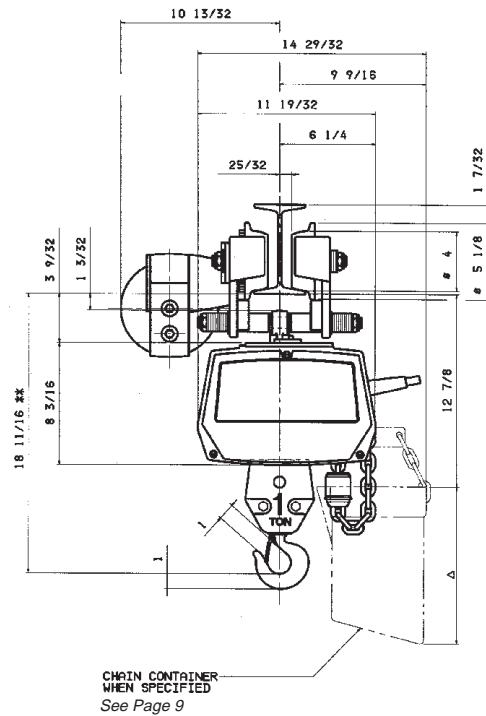
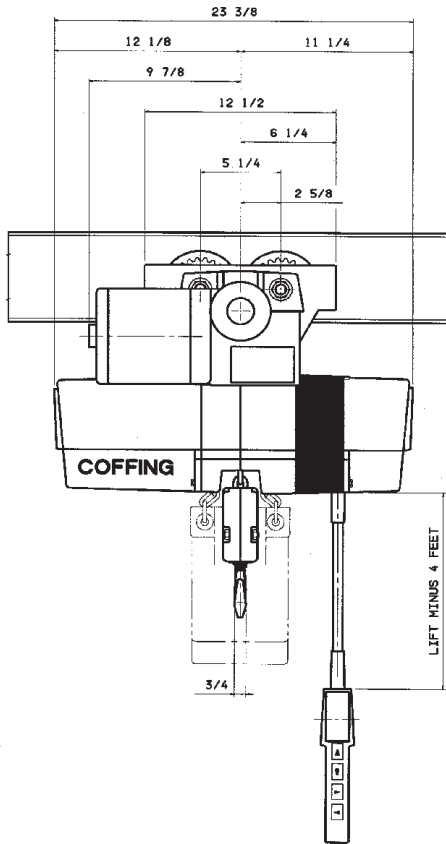


4 Ft. Minimum Radius

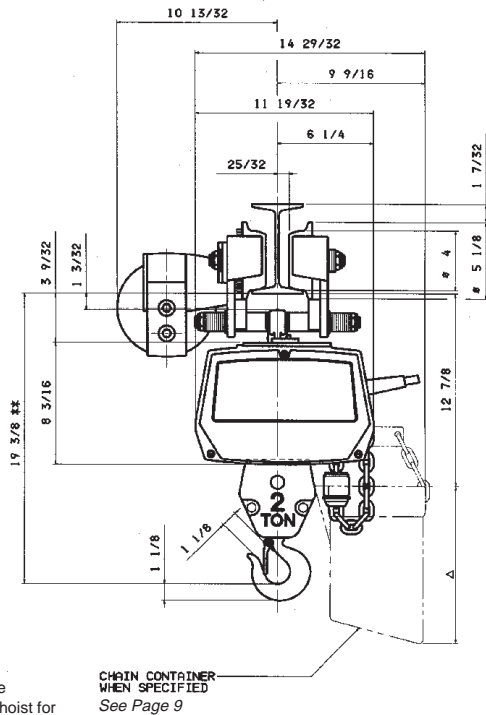
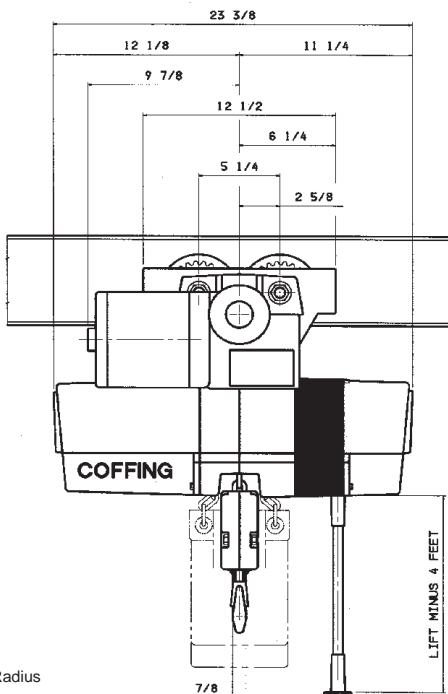
All dimensions are based on a
6" x 12.5# American Standard I-Beam

** This dimension allows for 2" clearance
between load block and underside of hoist for
single chain models and 1" clearance for
multiple chain models.

EC-1 (Motorized Trolley) ECMT-2004 and ECMT-2008 (1 Ton) Double Chain (Parallel Mounted)



EC-1 (Motorized Trolley) ECMT-4006 and ECMT-4008 (2 Ton) Double Chain (Parallel Mounted)

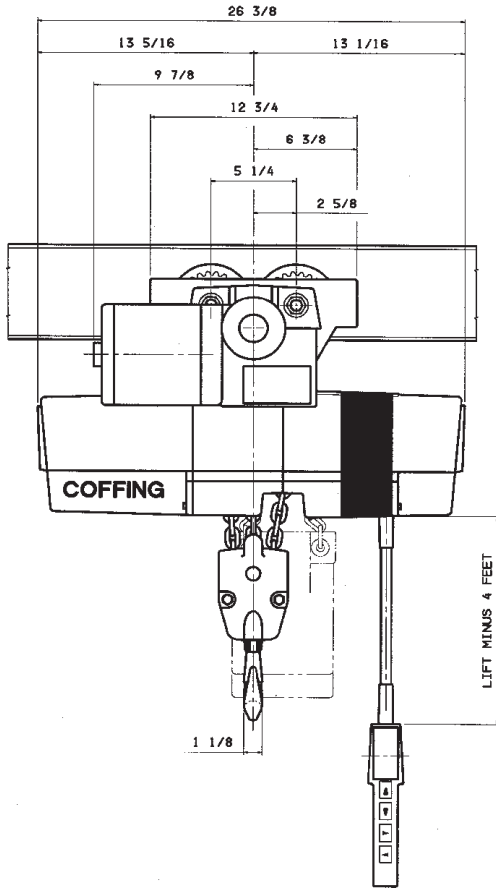


4 Ft. Minimum Radius

All dimensions are based on a 6" x 12.5# American Standard I-Beam

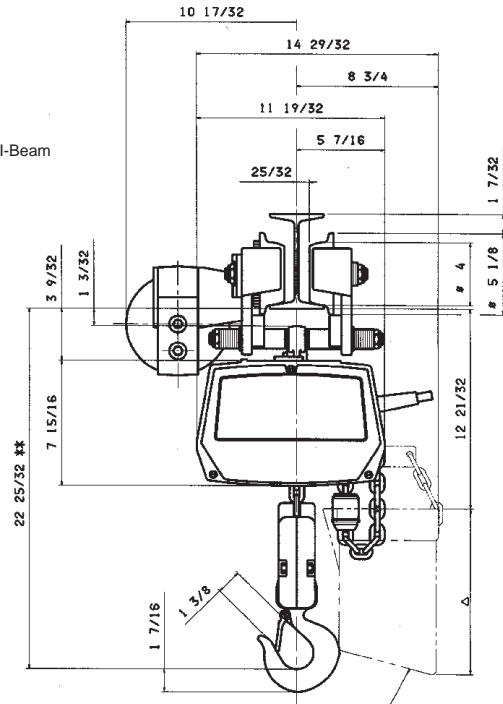
** This dimension allows for 2" clearance between load block and underside of hoist for single chain models and 1" clearance for multiple chain models.

EC-1 (Motorized Trolley) ECMT-6005 (3 Ton) Triple Chain (Parallel Mounted)



4 Ft. Minimum Radius

All dimensions are based on a 6" x 12.5# American Standard I-Beam

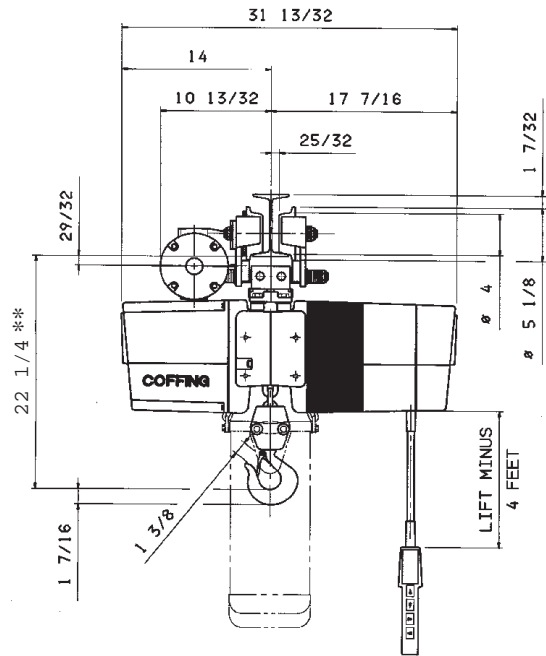
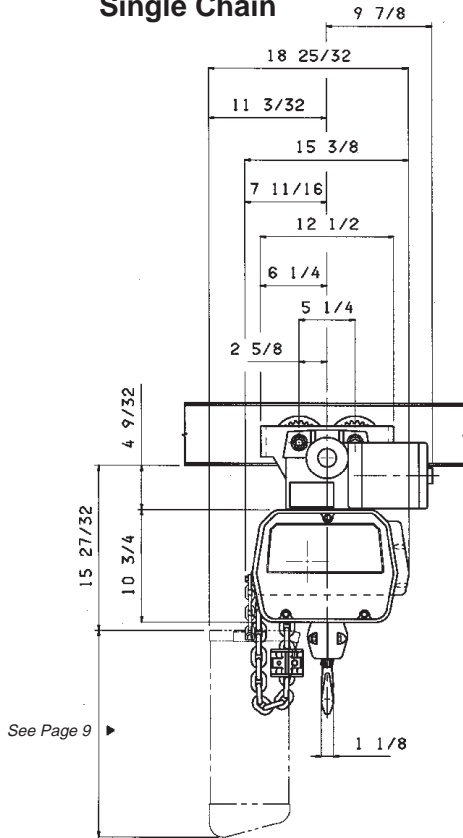


CHAIN CONTAINER
WHEN SPECIFIED
See Page 9

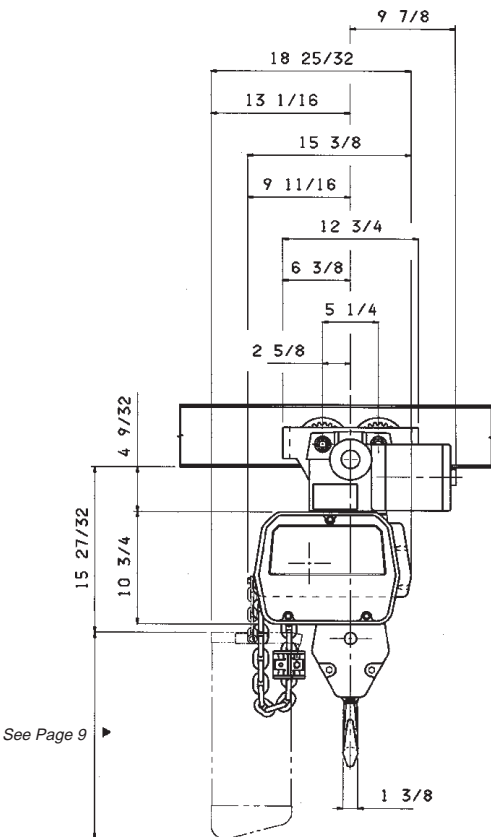
** This dimension allows for 2" clearance between load block and underside of hoist for single chain models and 1" clearance for multiple chain models.

EC-3 (Motorized Trolley) ECMT-2032 (1 Ton), ECMT-4016, ECMT-4024 (2 Ton) (Cross Mounted)

Single Chain



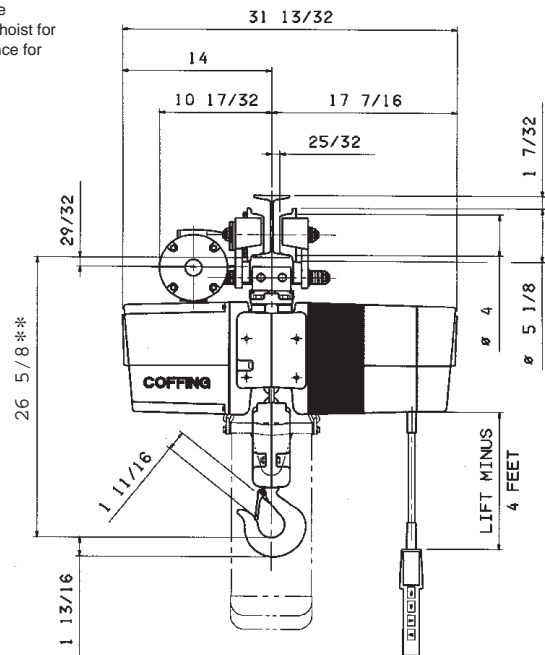
EC-3 (Motorized Trolley) ECMT-6010, ECMT-6016 (3 Ton) (Cross Mounted) Double Chain



4 Ft. Minimum Radius

All dimensions are based on a
6" x 12.5# American Standard I-Beam

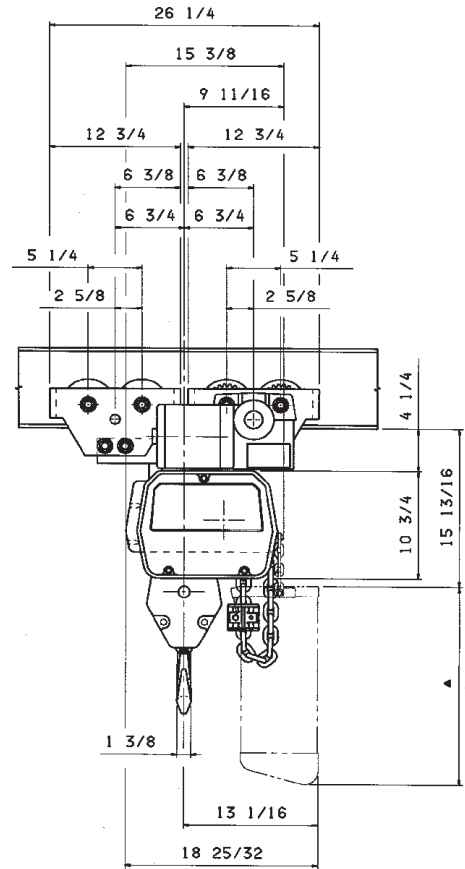
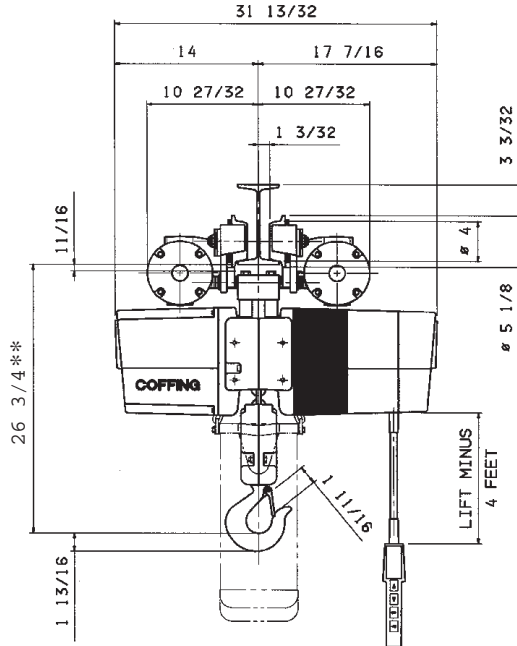
** This dimension allows for 2" clearance
between load block and underside of hoist for
single chain models and 1 1/2" clearance for
double chain models.



EC-3 (Motorized Trolley) ECMT-8008, ECMT-8012 (4 Ton)
(Cross Mounted) Double Chain

STRAIGHT TRACK ONLY

All dimensions are based on a
8" x 18.4# American Standard I-Beam

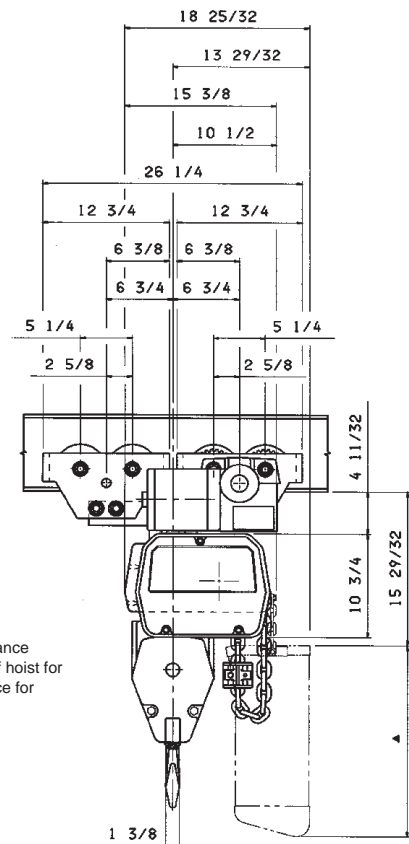
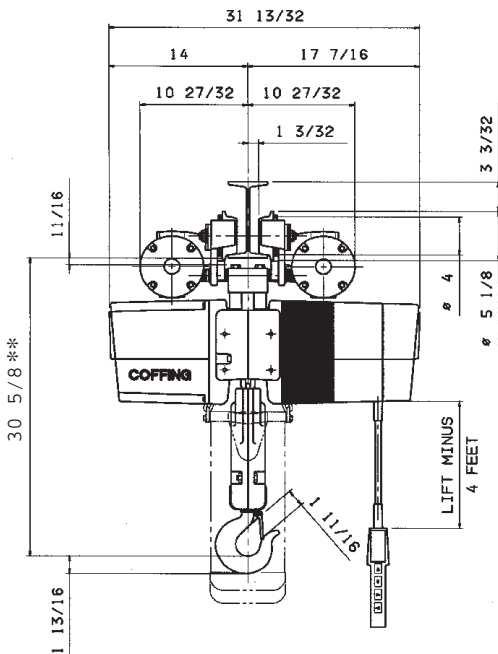


See Page 9

EC-3 (Motorized Trolley) ECMT-10005, ECMT-10008 (5 Ton)
(Cross Mounted) Triple Chain

STRAIGHT TRACK ONLY

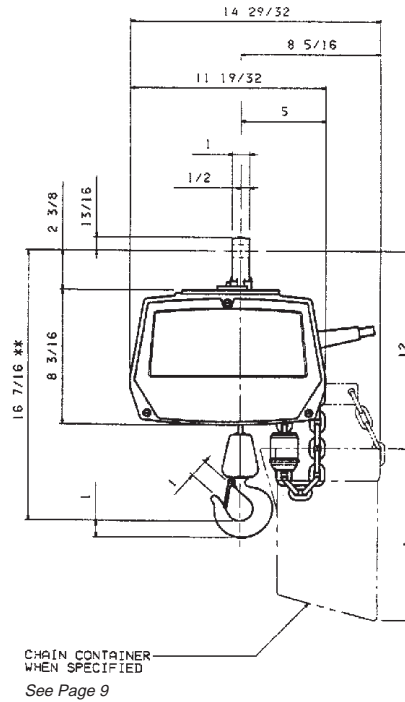
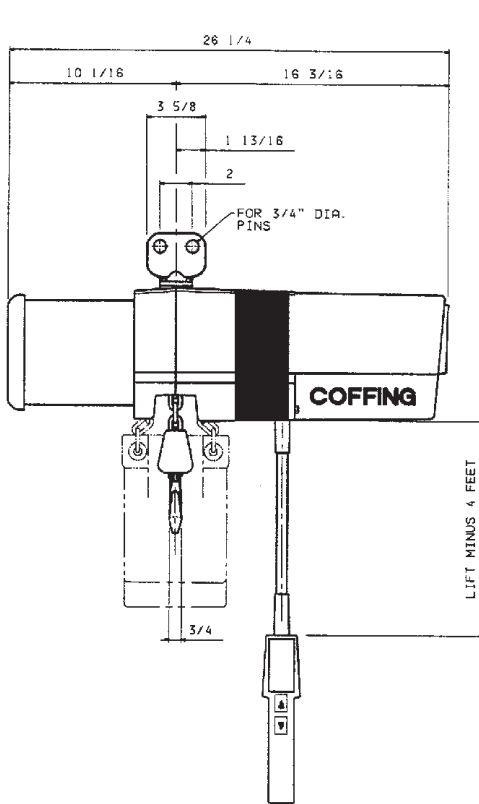
All dimensions are based on a
8" x 18.4# American Standard I-Beam



See Page 9

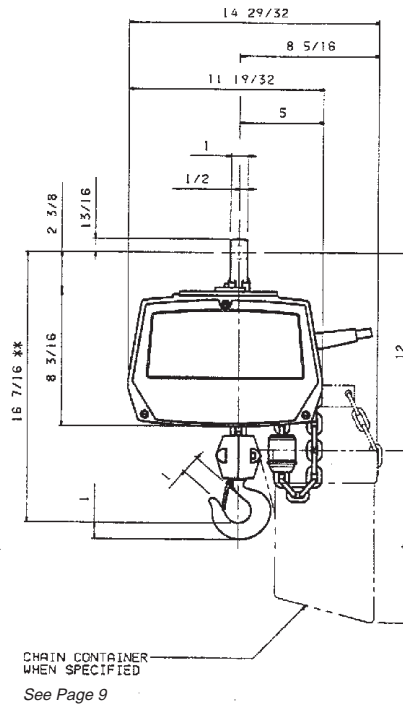
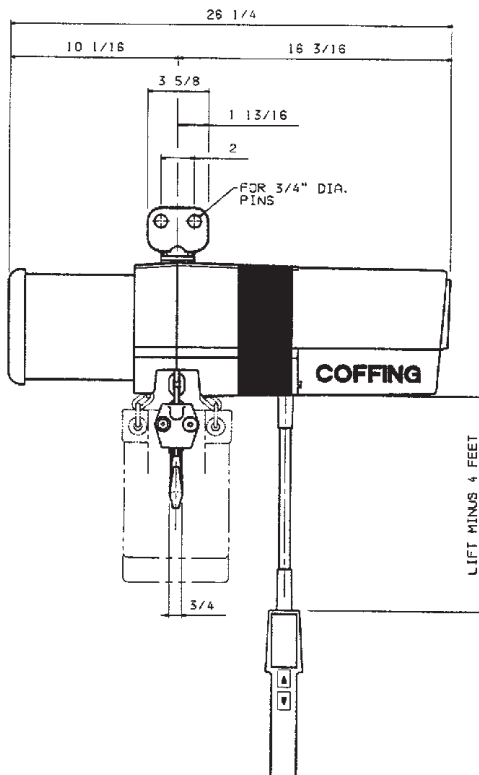
** This dimension allows for 1/2" clearance between load block and underside of hoist for double chain models and 1" clearance for triple chain models.

ED-1 (Lug Mount 50JG12) ED-0564 and ED-1032 (1/4 to 1/2 Ton) Single Chain



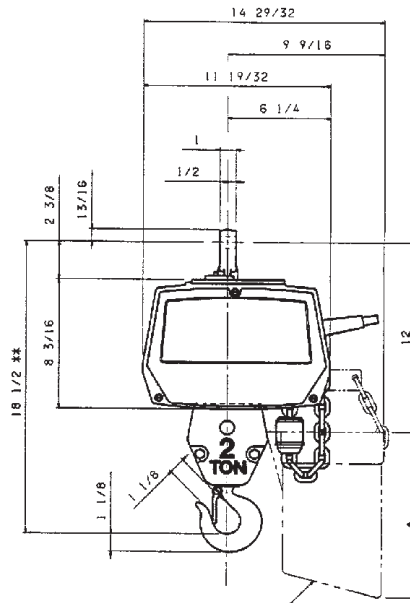
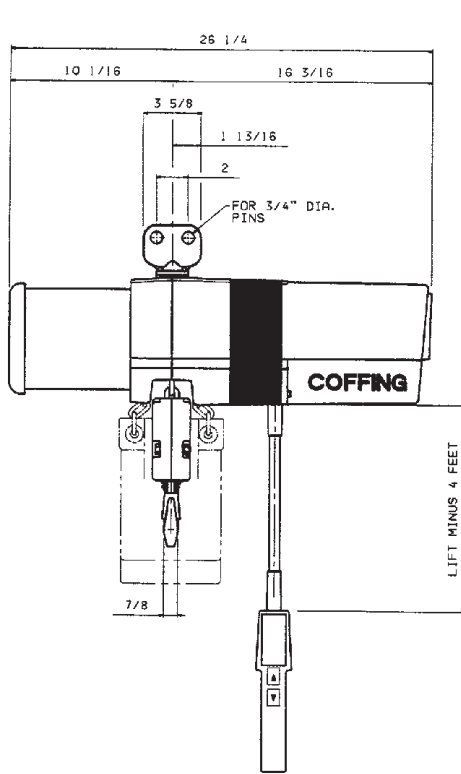
** This dimension allows for 2" clearance between load block and underside of hoist.

ED-1 (Lug Mount 50JG12) ED-2016 (1 Ton) Single Chain



** This dimension allows for 2" clearance between load block and underside of hoist.

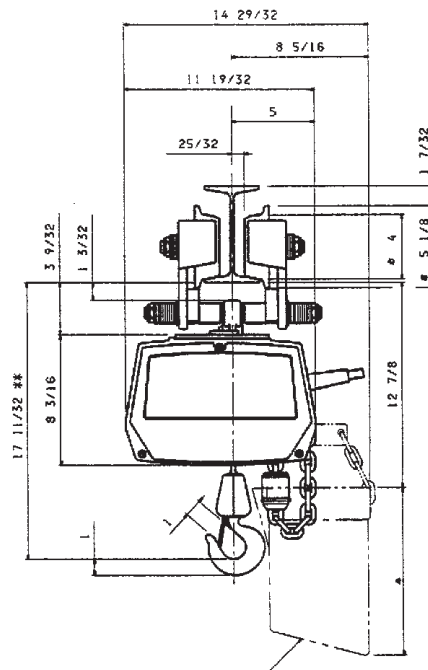
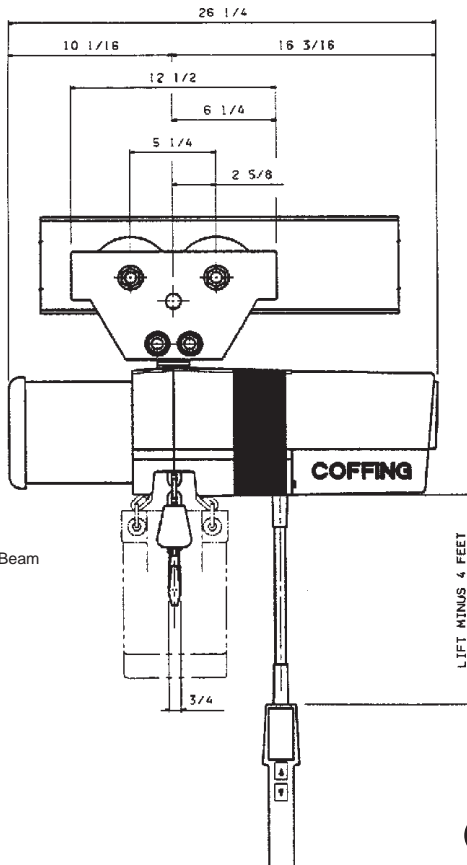
ED-1 (Lug Mount 50JG12) ED-4008 (2 Ton) Double Chain



CHAIN CONTAINER
WHEN SPECIFIED
See Page 9

** This dimension allows for 1" clearance between load block and underside of hoist.

ED-1 (Plain Trolley) EDT-0564 and EDT-1032 (1/4 to 1/2 Ton) Single Chain (Parallel Mounted)



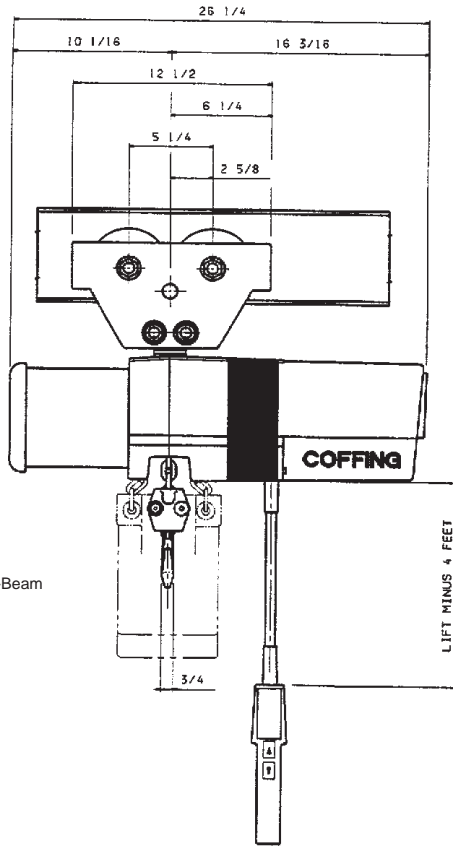
CHAIN CONTAINER
WHEN SPECIFIED
See Page 9

** This dimension allows for 2" clearance between load block and underside of hoist.

4 Ft. Minimum Radius

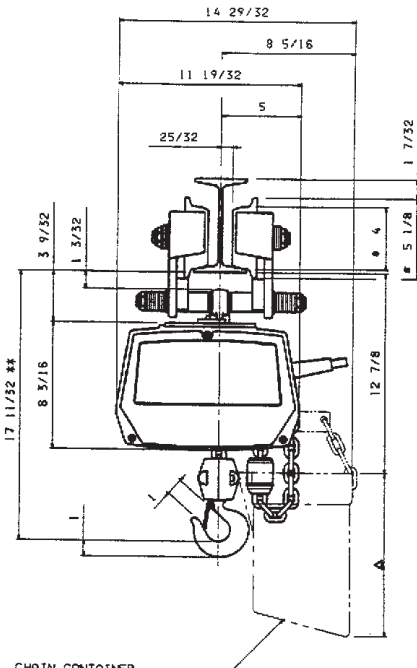
All dimensions are based on a 6" x 12.5# American Standard I-Beam

ED-1 (Plain Trolley) EDT-2016 (1 Ton) Single Chain (Parallel Mounted)



4 Ft. Minimum Radius

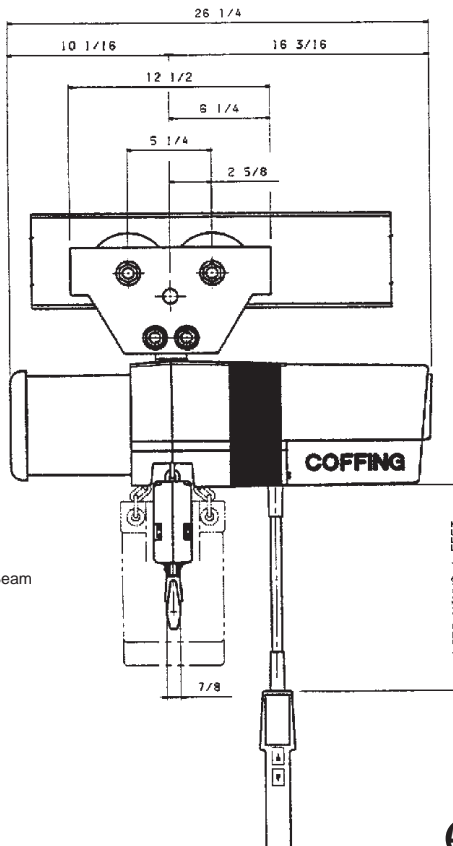
All dimensions are based on a
6" x 12.5# American Standard I-Beam



CHAIN CONTAINER
WHEN SPECIFIED
See Page 9

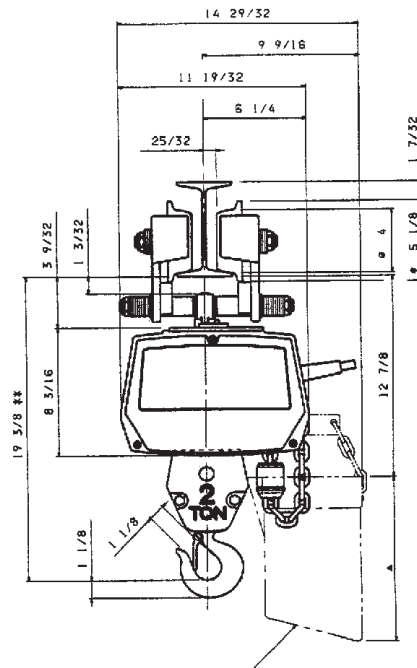
** This dimension allows for 2" clearance
between load block and underside of hoist.

ED-1 (Plain Trolley) EDT-4008 (2 Ton) Double Chain (Parallel Mounted)



4 Ft. Minimum Radius

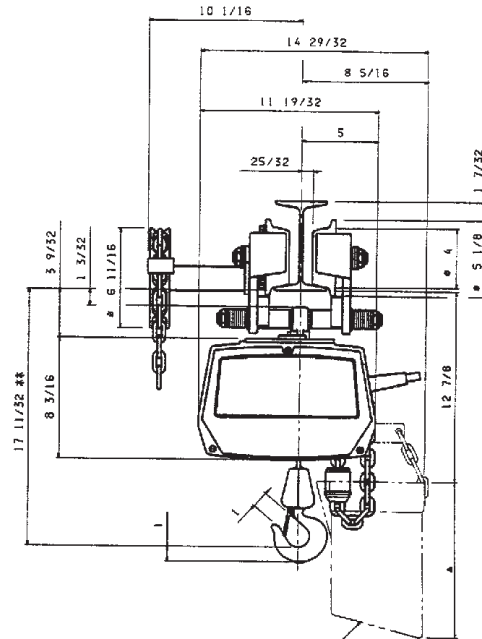
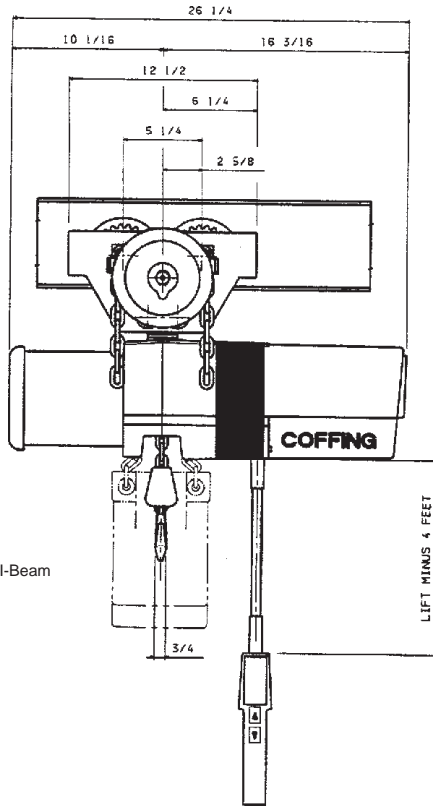
All dimensions are based on a
6" x 12.5# American Standard I-Beam



CHAIN CONTAINER
WHEN SPECIFIED
See Page 9

** This dimension allows for 1" clearance
between load block and underside of hoist.

ED-1 (Geared Trolley) EDGT-0564 and EDGT- 1032 (1/4 to 1/2 Ton) Single Chain (Parallel Mounted)



4 Ft. Minimum Radius

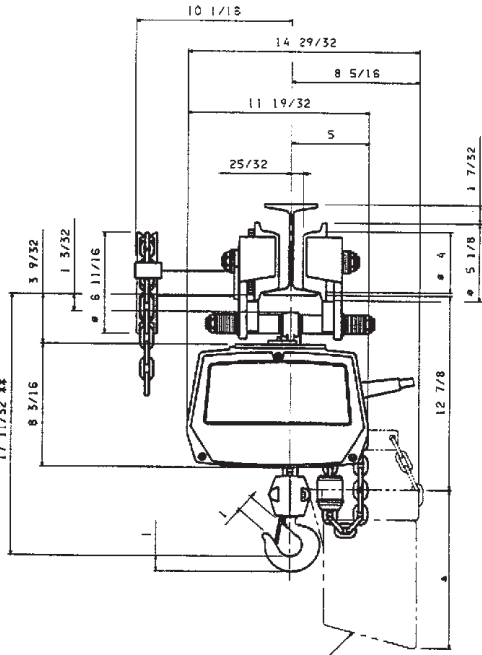
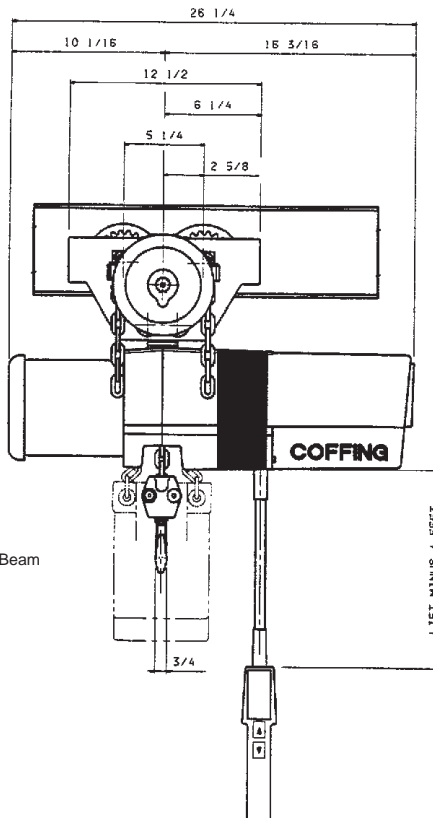
All dimensions are based on a
6" x 12.5# American Standard I-Beam

LIFT MINUS 4 FEET

CHAIN CONTAINER
WHEN SPECIFIED
See Page 9

** This dimension allows for 2" clearance
between load block and underside of hoist.

ED-1 (Geared Trolley) EDGT-2016 (1 Ton) Single Chain (Parallel Mounted)



4 Ft. Minimum Radius

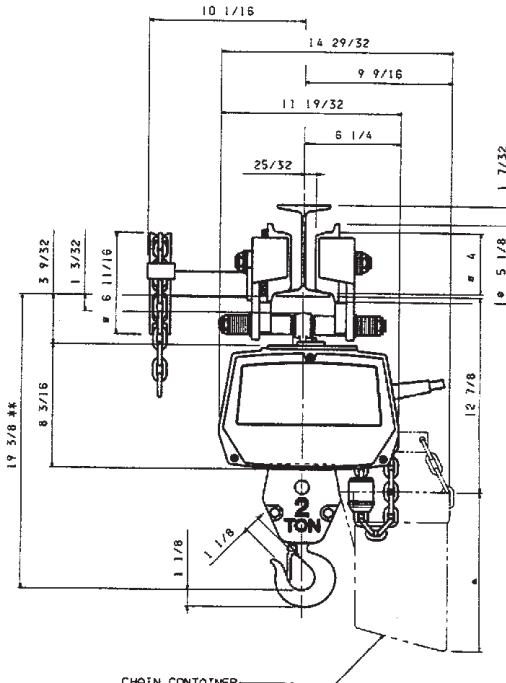
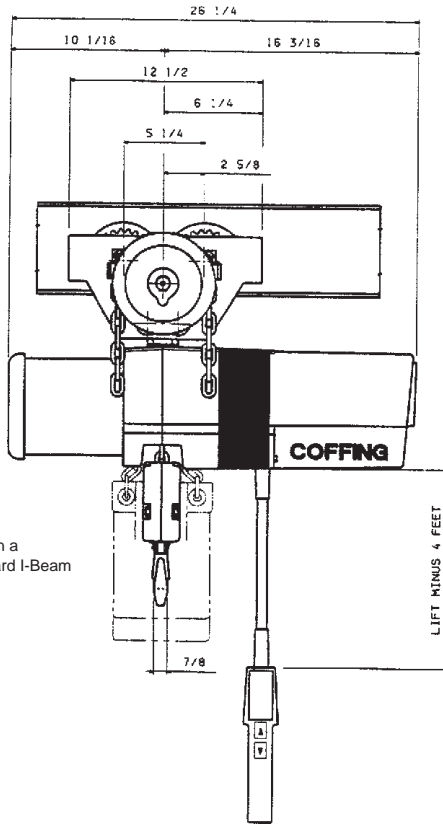
All dimensions are based on a
6" x 12.5# American Standard I-Beam

LIFT MINUS 4 FEET

CHAIN CONTAINER
WHEN SPECIFIED
See Page 9

** This dimension allows for 2" clearance
between load block and underside of hoist.

ED-1 (Geared Trolley) EDGT-4008 (2 Ton) Double Chain (Parallel Mounted)



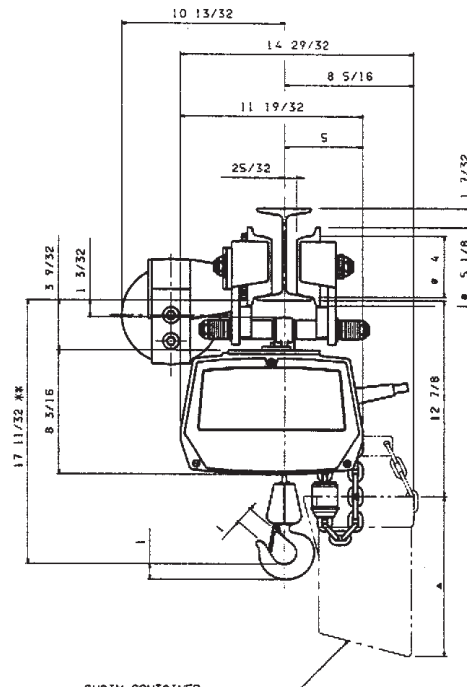
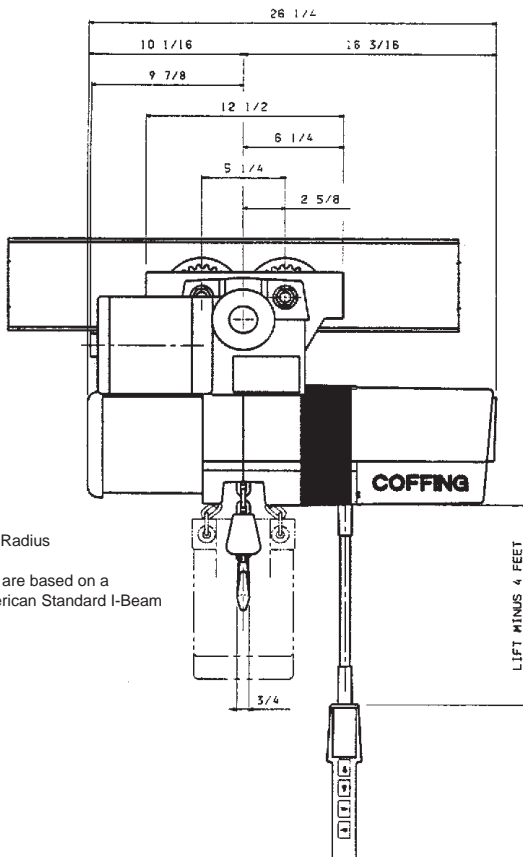
4 Ft. Minimum Radius

All dimensions are based on a 6" x 12.5# American Standard I-Beam

CHAIN CONTAINER WHEN SPECIFIED
See Page 9

** This dimension allows for 1" clearance between load block and underside of hoist.

ED-1 (Motorized Trolley) EDMT-0564 and EDMT-1032 (1/4 to 1/2 Ton) Single Chain (Parallel Mounted)



4 Ft. Minimum Radius

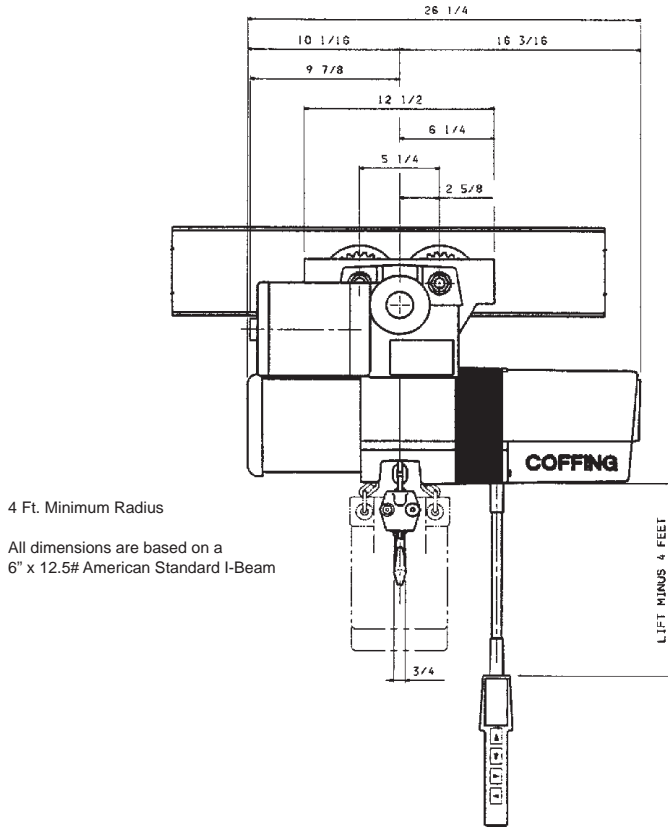
All dimensions are based on a 6" x 12.5# American Standard I-Beam

CHAIN CONTAINER WHEN SPECIFIED

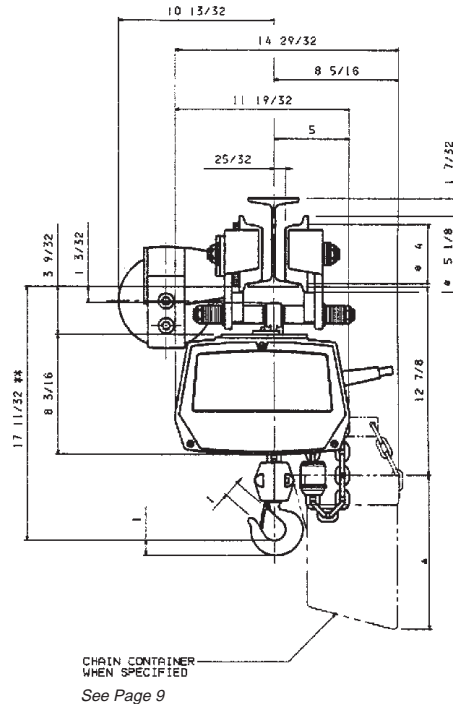
See Page 9

** This dimension allows for 2" clearance between load block and underside of hoist.

ED-1 (Geared Trolley) EDMT-2016 (1 Ton) Single Chain (Parallel Mounted)

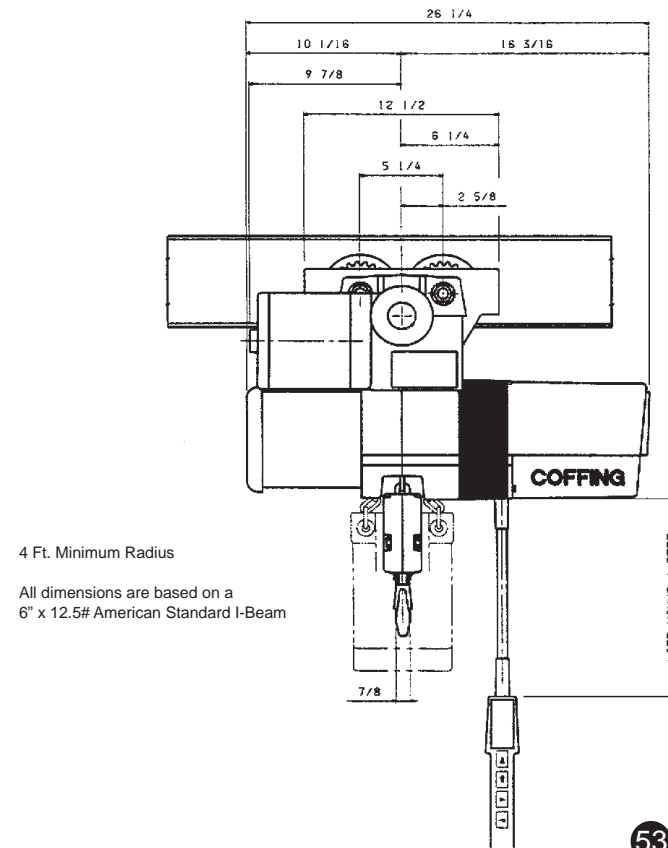


4 Ft. Minimum Radius
All dimensions are based on a
6" x 12.5# American Standard I-Beam

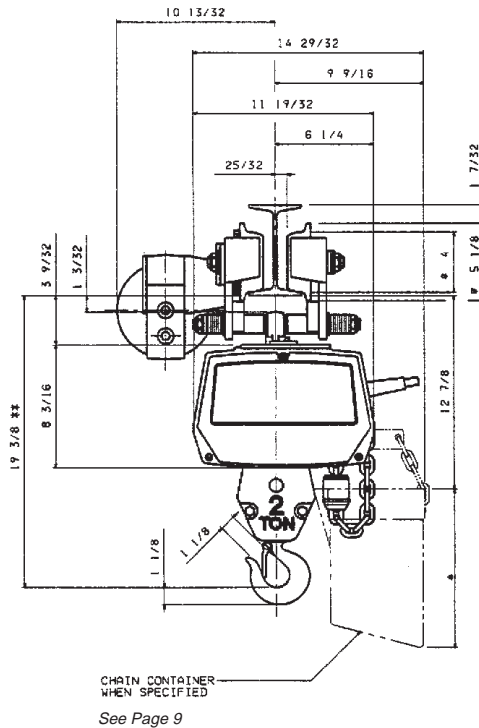


** This dimension allows for 2" clearance
between load block and underside of hoist.

ED-1 (Motorized Trolley) EDMT-4008 (2 Ton) Double Chain (Parallel Mounted)

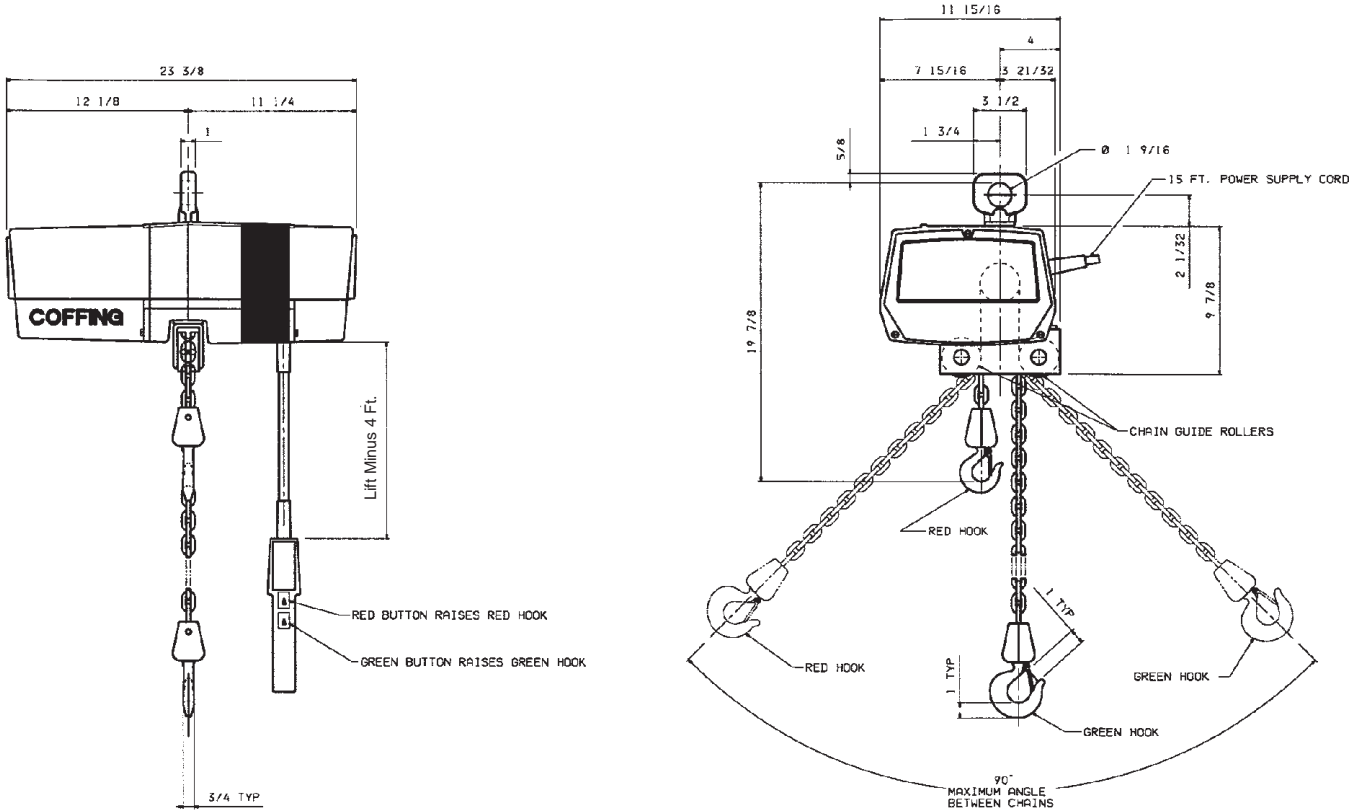


4 Ft. Minimum Radius
All dimensions are based on a
6" x 12.5# American Standard I-Beam

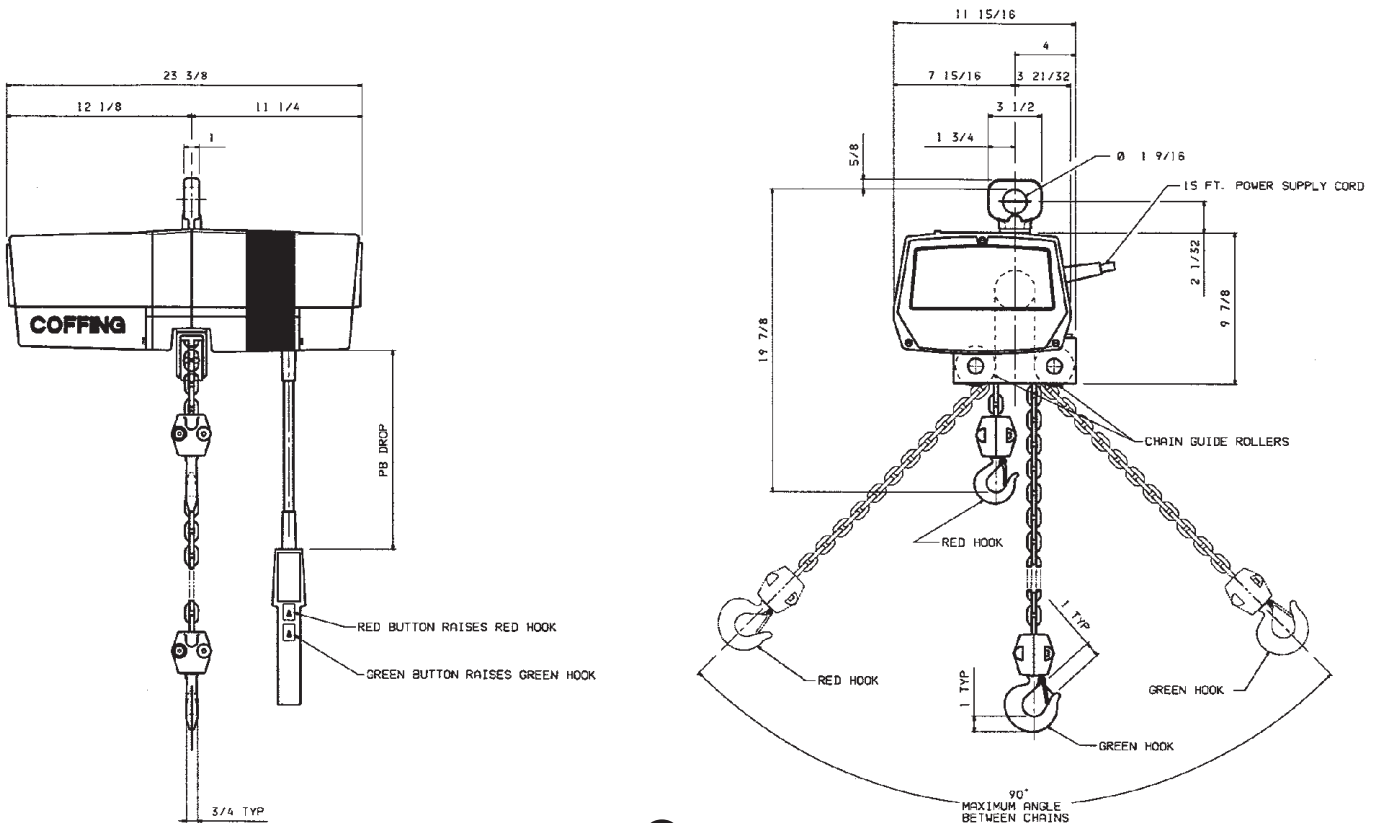


** This dimension allows for 1" clearance
between load block and underside of hoist.

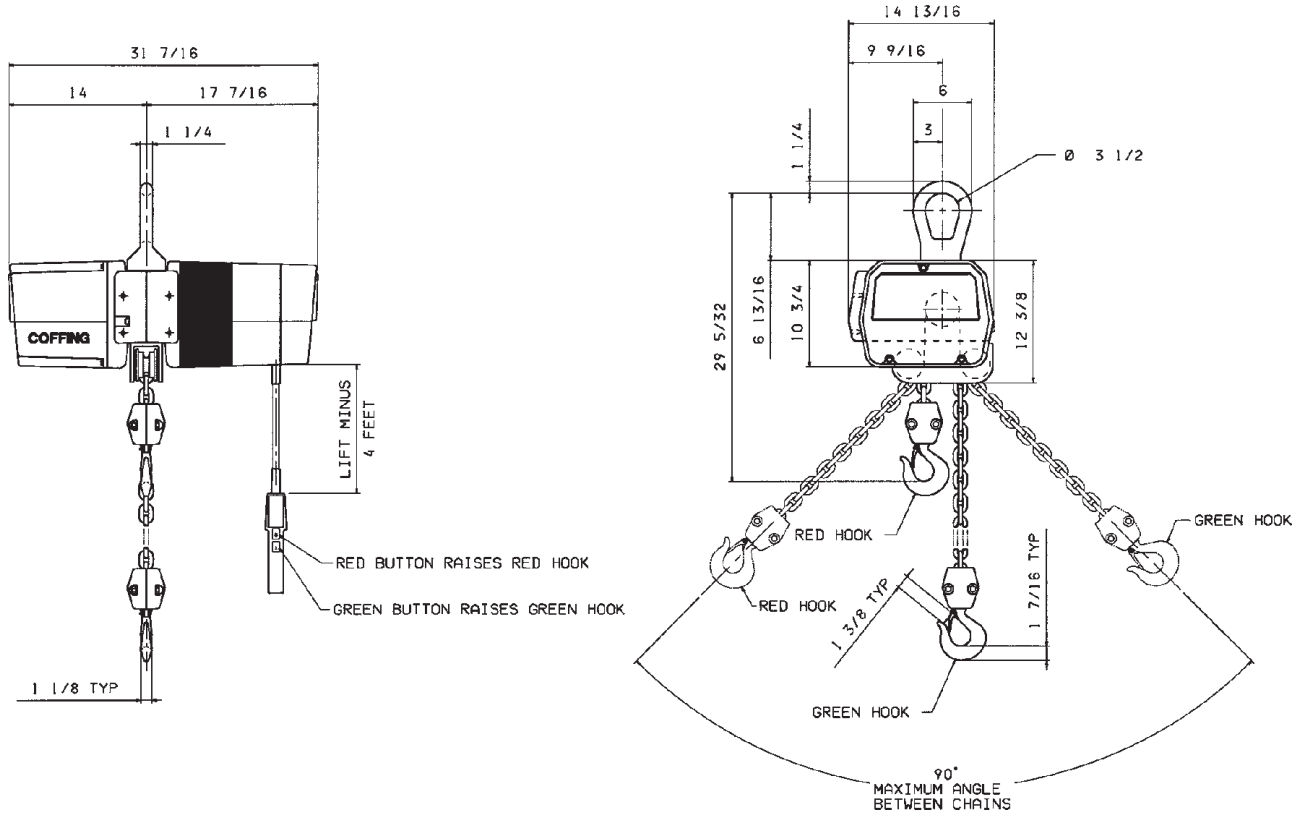
EC-1 (Turnover Hoist) EC-0516TH (1/4 Ton), EC-1016TH (1/2 Ton) Single Chain



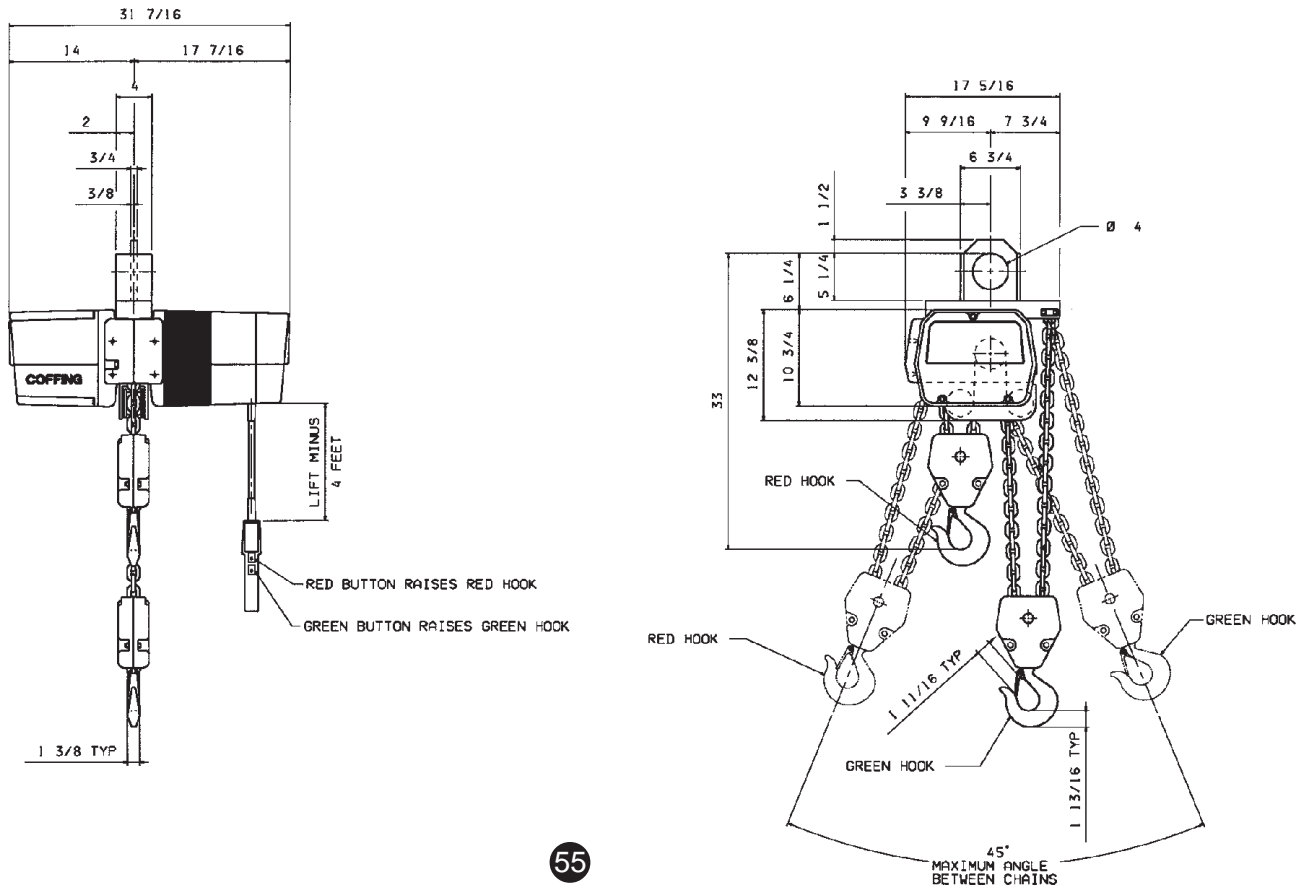
EC-1 (Turnover Hoist) EC-2016TH (1 Ton) Single Chain



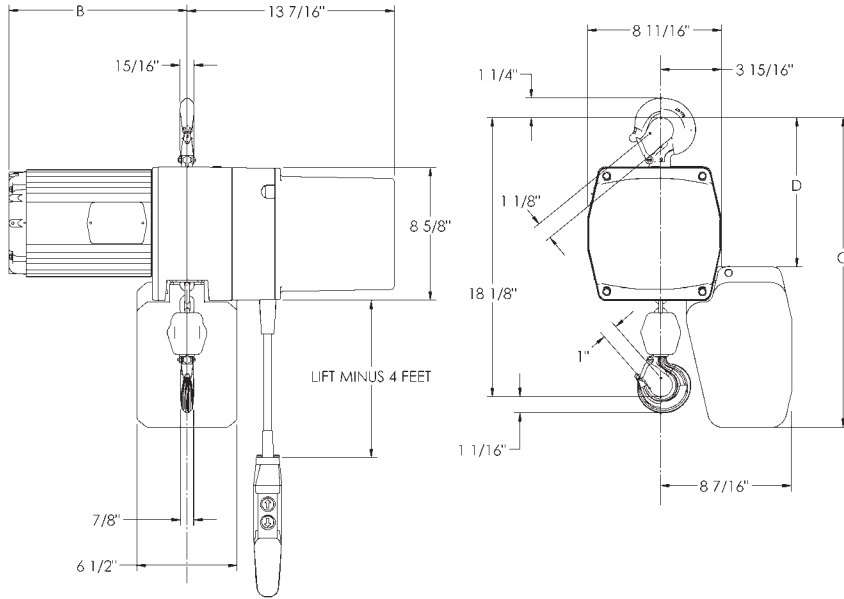
EC-3 (Turnover Hoist) EC-4016TH (2 Ton) Single Chain



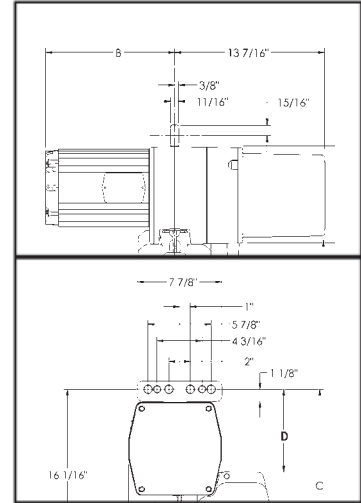
EC-3 (Turnover Hoist) EC-6008TH (3 Ton), EC-8008TH (4 Ton) Double Chain



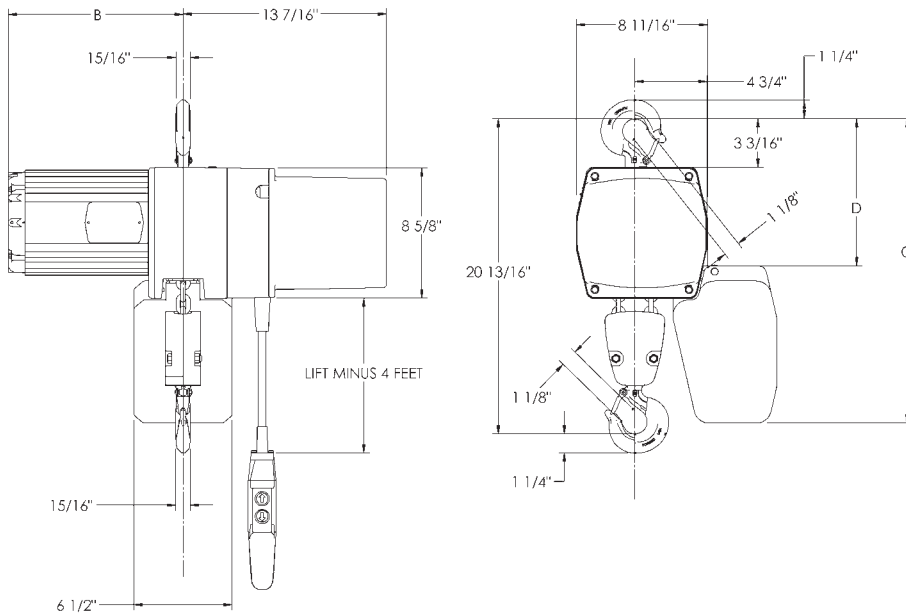
JLC (Hook Mount) 1/8 to 1 Ton



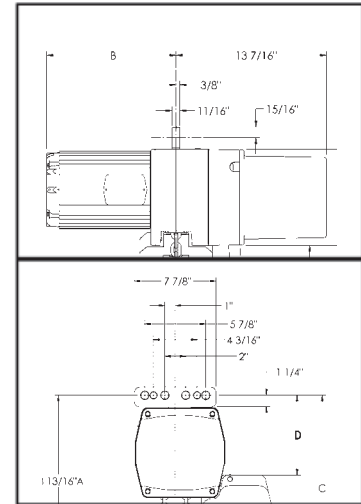
LUG SUSPENSION
1/8 to 1 Ton



JLC (Hook Mount) 2 Ton



LUG SUSPENSION
2 Ton

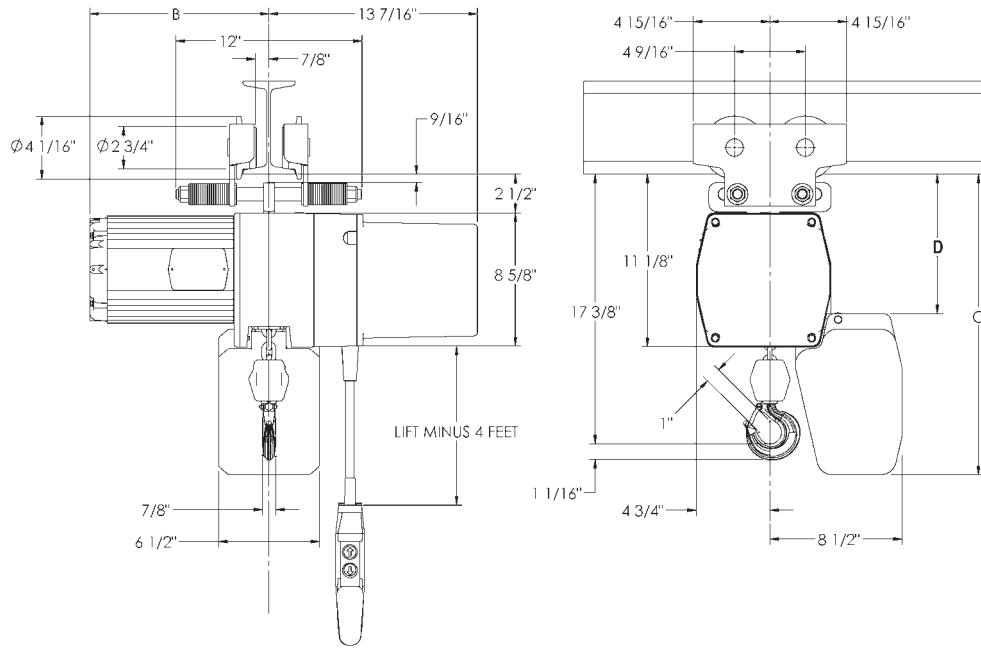


Model Number	Rated Load (Lbs.)	B 1-Speed	B 2-Speed
JLC-0232	250	10 5/8	11 1/2
JLC-0516	500	10 5/8	11 1/2
JLC-0532	500	10 5/8	11 1/2
JLC-1016	1000	10 5/8	11 1/2
JLC-1032	1000	10 5/8	11 1/2
JLC-2016	2000	10 5/8	11 1/2
JLC-4008	4000	10 5/8	11 1/2

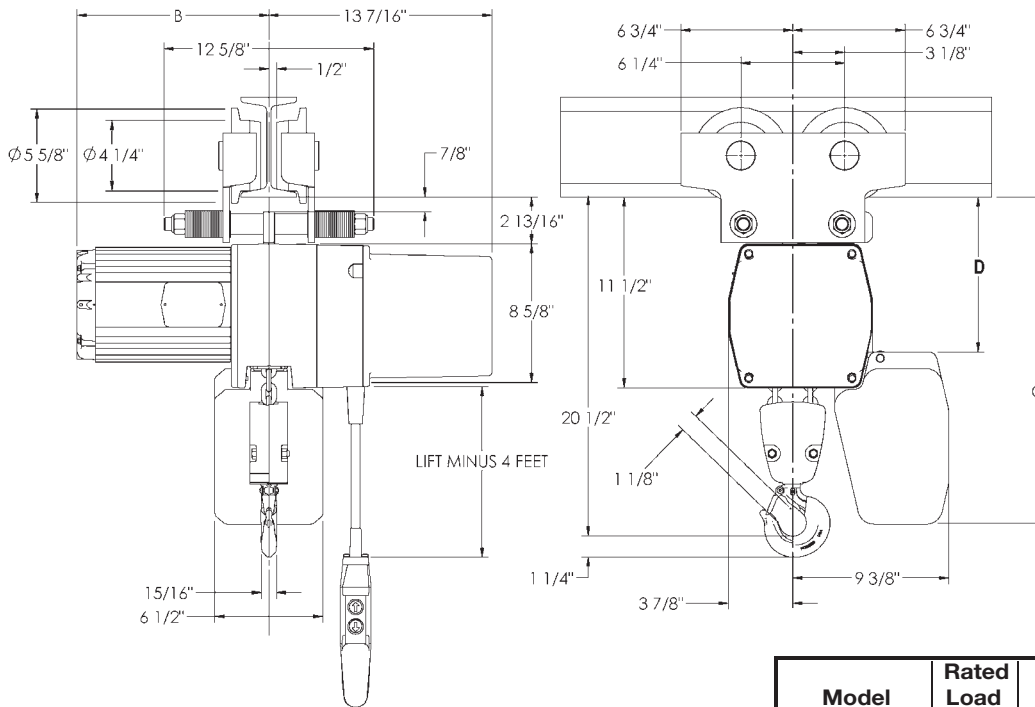
CHAIN CONTAINER DATA

Part Number	C	D	Capacity (Hoist Lift in Feet)	
			JLC(TH)(LG)(ET)(MT) 1/8 Ton thur 1 Ton (Single Chain)	JLC(TH)(LG)(ET)(MT) 2 Ton (Double Chain)
JLC927-1	17	6 1/2	20	10
JLC927-2	26 7/8	10 7/8	35	17
JLC927-3	31 1/8	10 7/8	50	25

JLC (Plain Trolley Mount) JLCET 1/8 to 1 Ton (Cross Mounted)



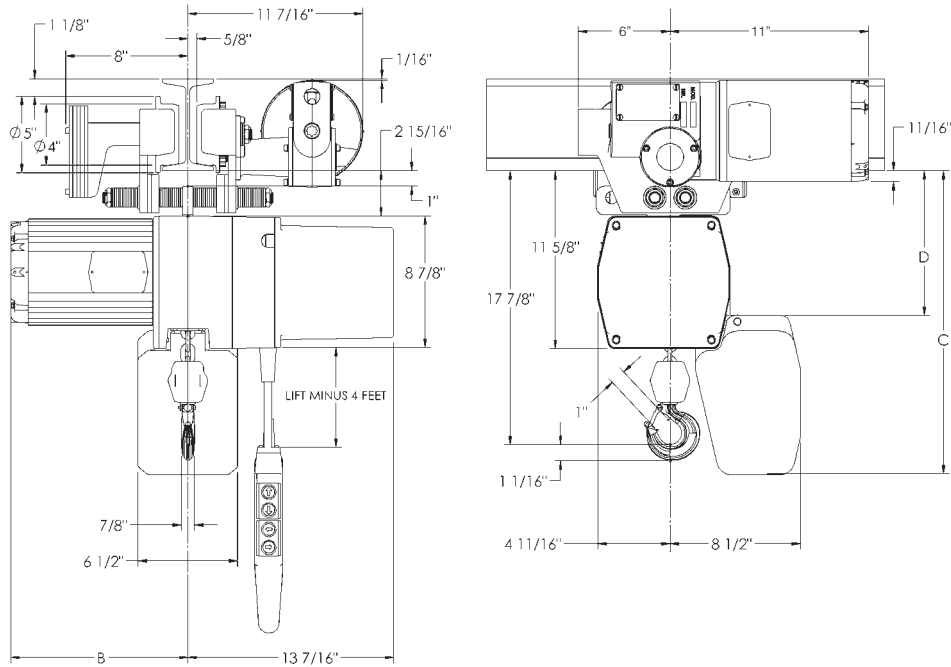
JLC (Plain Trolley Mount) JLCET 2 Ton (Cross Mounted)



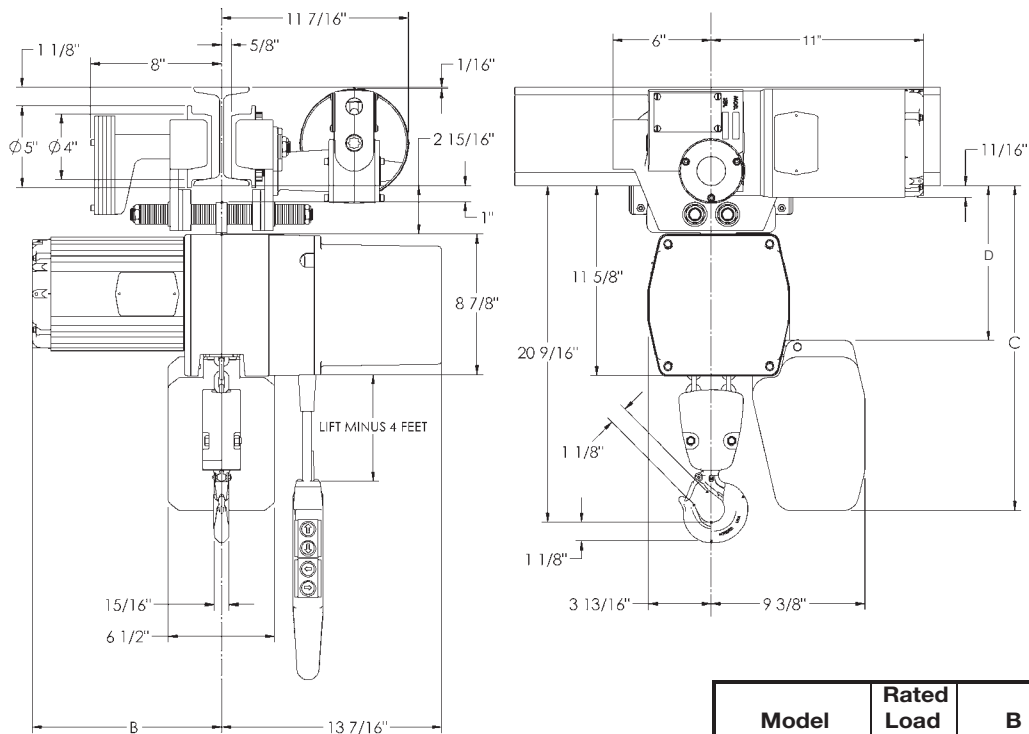
Model Number	Rated Load (Lbs.)	B 1-Speed	B 2-Speed
JLCET-0232	250	10 5/8	11 1/2
JLCET-0516	500	10 5/8	11 1/2
JLCET-0532	500	10 5/8	11 1/2
JLCET-1016	1000	10 5/8	11 1/2
JLCET-1032	1000	10 5/8	11 1/2
JLCET-2016	2000	10 5/8	11 1/2
JLCET-4008	4000	10 5/8	11 1/2

Refer to Chain Container Data Information (C,D) on Page 56

JLC (Motorized Trolley Mount) JLCMT 1/8 to 1 Ton (Cross Mounted)



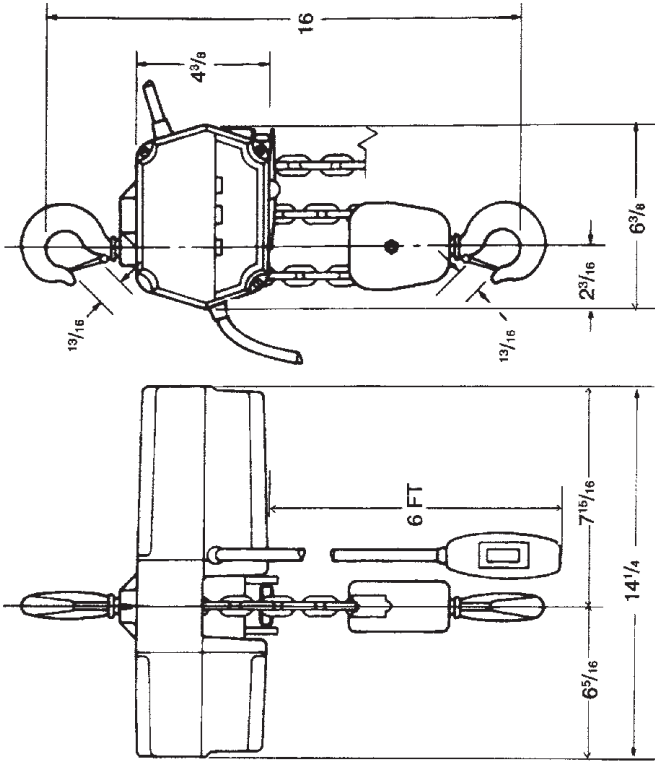
JLC (Motorized Trolley Mount) JLCMT 2 Ton (Cross Mounted)



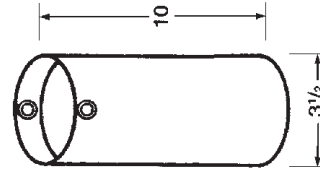
Model Number	Rated Load (Lbs.)	B 1-Speed	B 2-Speed
JLCMT-0232	250	10 5/8	11 1/2
JLCMT-0516	500	10 5/8	11 1/2
JLCMT-0532	500	10 5/8	11 1/2
JLCMT-1016	1000	10 5/8	11 1/2
JLCMT-1032	1000	10 5/8	11 1/2
JLCMT-2016	2000	10 5/8	11 1/2
JLCMT-4008	4000	10 5/8	11 1/2

Refer to Chain Container Data Information (C,D) on Page 56

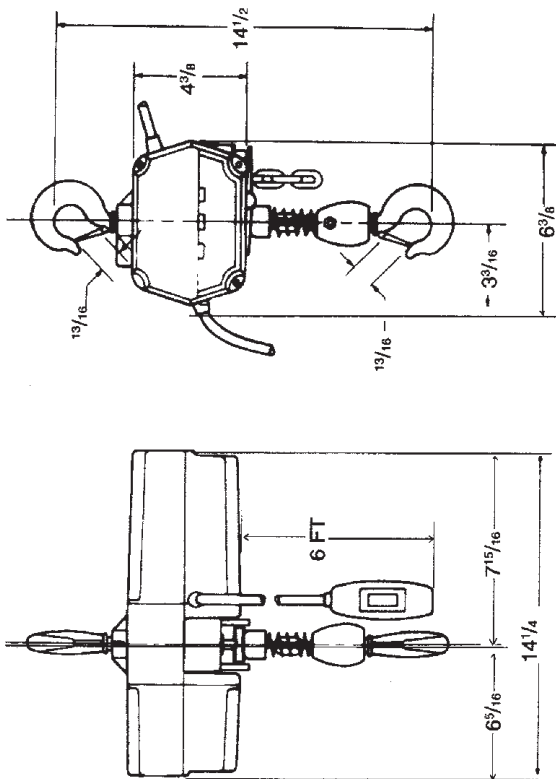
EMC and EMW (Hook Mount) 300 & 500 Lb. - EMC
500 Lb. - EMW



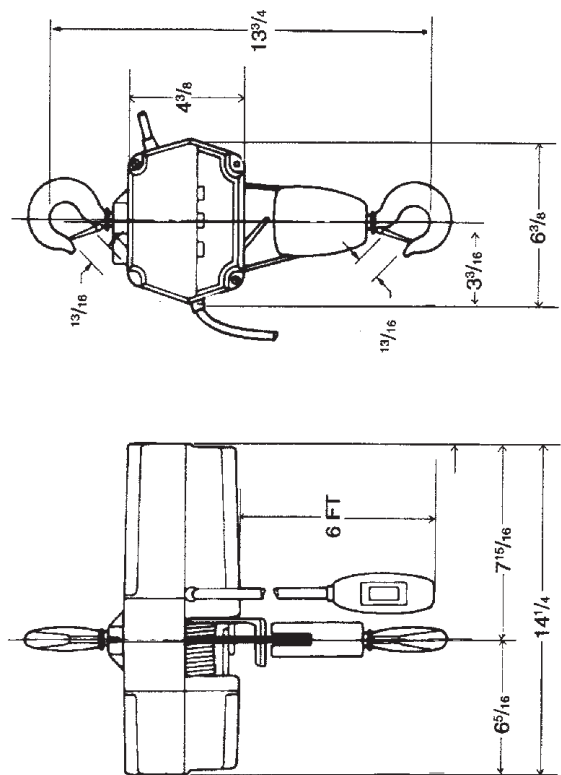
EMC-500B



Chain Container
for EMC models;
vinyl-coated nylon
fabric construction
— order model
no. LCC-05.

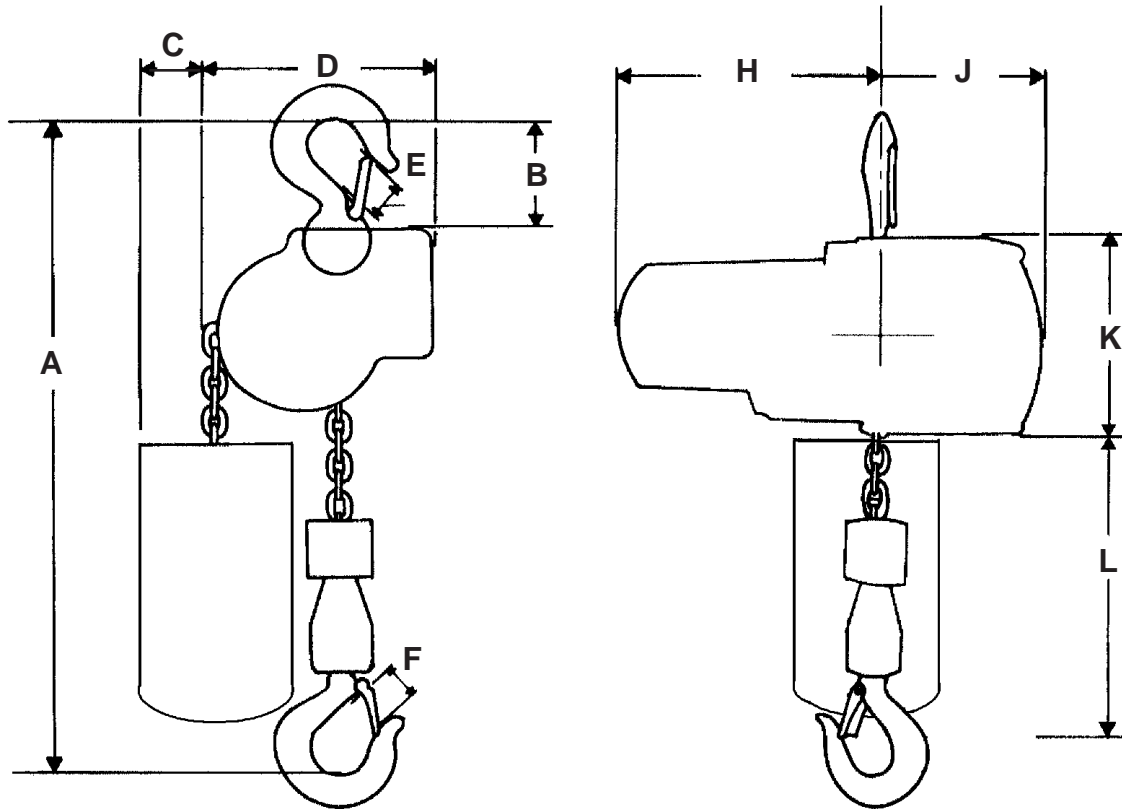


EMC-300B



EMW-500B

ESC (Hook Mount) 1/4 to 1/2 Ton



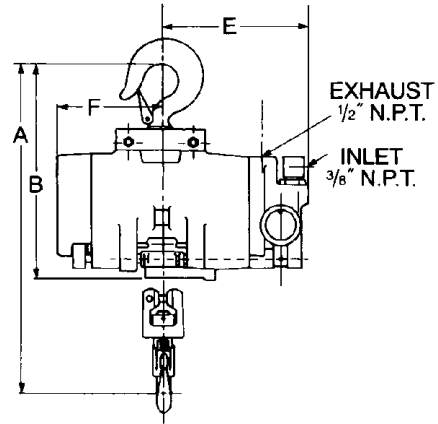
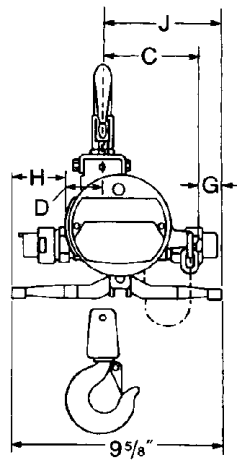
Dimensions

Model Number	Rated Load (Ton)	A	B	C	D	E	F	H	J	K	L
ESC3151	1/4	14 1/2	3	1 1/2	5 1/4	5/8	3/4	6	3 3/4	4 1/4	6
ESC3167	1/4	14 1/2	3	1 1/2	5 1/4	5/8	3/4	6	3 3/4	4 1/4	6
ESC3166	1/4	14 1/2	3	2	5 1/4	5/8	3/4	6	3 3/4	4 1/4	8 1/2
ESC3168	1/4	14 1/2	3	2	5 1/4	5/8	3/4	6	3 3/4	4 1/4	8 1/2
ESC3152	1/2	14 1/2	3	2	5 1/4	5/8	3/4	6	3 3/4	4 1/4	8 1/2
ESC3169	1/2	14 1/2	3	2	5 1/4	5/8	3/4	6	3 3/4	4 1/4	8 1/2

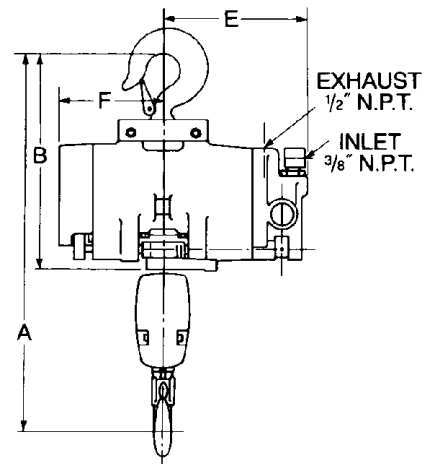
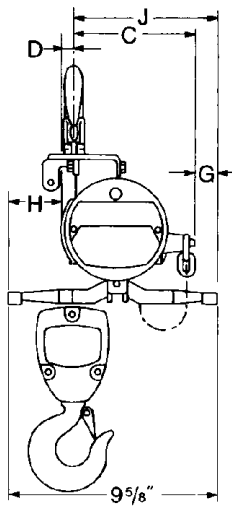
Dimensions are in inches unless otherwise indicated.

CAH Small Frame (Hook Mount) 1/4 - 1 Ton

1/4 and 1/2 Ton - Standard
3/8 Ton - Spark Resistant



1 Ton - Standard
3/4 Ton - Spark Resistant



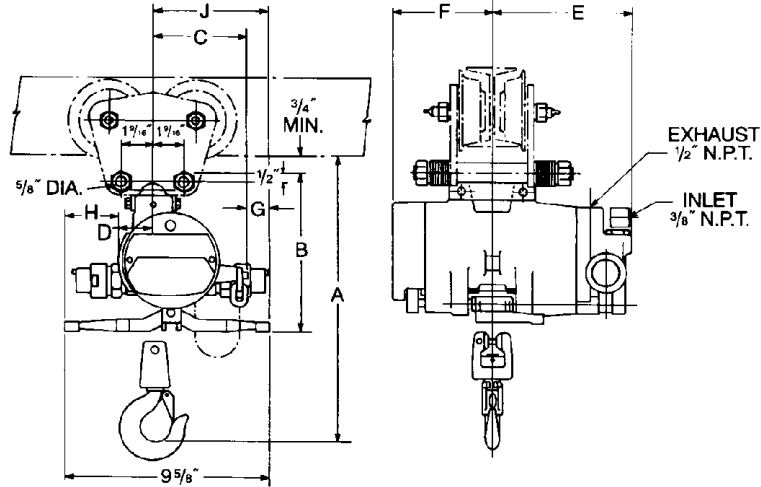
Dimensions

Model Number	Rated Load (Ton)	A	B	C	D	E	F	G	H	J
CAH-0565-LC	1/4	15 1/4	10 1/4	4 3/4	1 3/4	7 1/16	5 1/16	15/16	2 3/16	5 11/16
CAH-0565-LP	1/4	15 1/4	10 1/4	4 3/4	1 3/4	7 1/16	5 1/16	15/16	2 3/16	5 11/16
CAH-0565-RC	1/4	15 1/4	10 1/4	4 3/4	1 3/4	7 1/16	5 1/16	15/16	2 3/16	5 11/16
CAH-0565-RP	1/4	15 1/4	10 1/4	4 3/4	1 3/4	7 1/16	5 1/16	15/16	2 3/16	5 11/16
CAH-1045-LC	1/2	15 1/4	10 1/4	4 3/4	1 3/4	7 1/16	5 1/16	15/16	2 3/16	5 11/16
CAH-1045-LP	1/2	15 1/4	10 1/4	4 3/4	1 3/4	7 1/16	5 1/16	15/16	2 3/16	5 11/16
CAH-1045-RC	1/2	15 1/4	10 1/4	4 3/4	1 3/4	7 1/16	5 1/16	15/16	2 3/16	5 11/16
CAH-1045-RP	1/2	15 1/4	10 1/4	4 3/4	1 3/4	7 1/16	5 1/16	15/16	2 3/16	5 11/16
CAH-2023-LC	1	18	10 1/4	5 3/4	3/4	7 1/16	5 1/16	15/16	2 3/16	6 11/16
CAH-2023-LP	1	18	10 1/4	5 3/4	3/4	7 1/16	5 1/16	15/16	2 3/16	6 11/16
CAH-2023-RC	1	18	10 1/4	5 3/4	3/4	7 1/16	5 1/16	15/16	2 3/16	6 11/16
CAH-2023-RP	1	18	10 1/4	5 3/4	3/4	7 1/16	5 1/16	15/16	2 3/16	6 11/16
Spark Resistant Models										
CAH-0760-CS	3/8	15 1/4	10 1/4	4 3/4	1 3/4	7 1/16	5 1/16	15/16	2 3/16	5 11/16
CAH-0760-PS	3/8	15 1/4	10 1/4	4 3/4	1 3/4	7 1/16	5 1/16	15/16	2 3/16	5 11/16
CAH-1529-CS	3/4	18	10 1/4	5 3/4	3/4	7 1/16	5 1/16	15/16	2 3/16	6 11/16
CAH-1529-PS	3/4	18	10 1/4	5 3/4	3/4	7 1/16	5 1/16	15/16	2 3/16	6 11/16

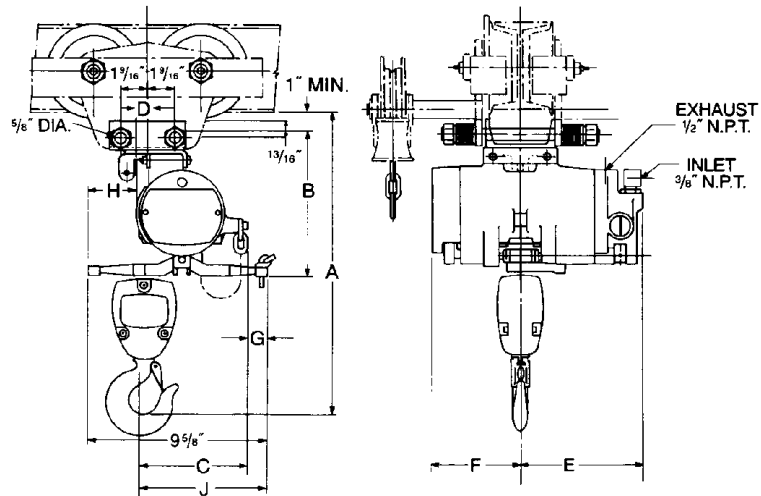
NOTE: All dimensions in inches unless otherwise indicated.

CAH Small Frame (Lug Mount) 1/4 - 1 Ton

1/4 and 1/2 Ton - Standard
3/8 Ton - Spark Resistant



1 Ton - Standard
3/4 Ton - Spark Resistant

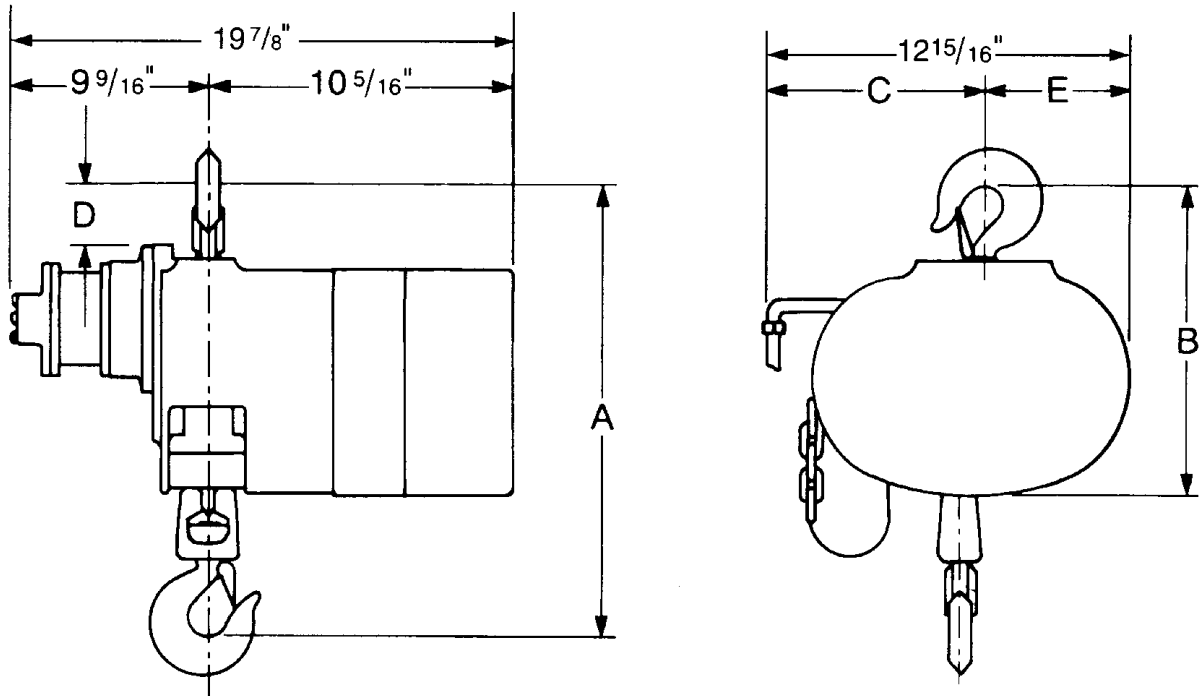


Dimensions

Model Number	Rated Load (Ton)	A	B	C	D	E	F	G	H	J
CAH-0565-LC	1/4	13 ⁷ / ₈	8 ¹ / ₈	4 ³ / ₄	1 ³ / ₄	7 ¹ / ₁₆	5 ¹ / ₁₆	15 ¹⁵ / ₁₆	2 ³ / ₁₆	5 ¹¹ / ₁₆
CAH-0565-LP	1/4	13 ⁷ / ₈	8 ¹ / ₈	4 ³ / ₄	1 ³ / ₄	7 ¹ / ₁₆	5 ¹ / ₁₆	15 ¹⁵ / ₁₆	2 ³ / ₁₆	5 ¹¹ / ₁₆
CAH-0565-RC	1/4	13 ⁷ / ₈	8 ¹ / ₈	4 ³ / ₄	1 ³ / ₄	7 ¹ / ₁₆	5 ¹ / ₁₆	15 ¹⁵ / ₁₆	2 ³ / ₁₆	5 ¹¹ / ₁₆
CAH-0565-RP	1/4	13 ⁷ / ₈	8 ¹ / ₈	4 ³ / ₄	1 ³ / ₄	7 ¹ / ₁₆	5 ¹ / ₁₆	15 ¹⁵ / ₁₆	2 ³ / ₁₆	5 ¹¹ / ₁₆
CAH-1045-LC	1/2	13 ⁷ / ₈	8 ¹ / ₈	4 ³ / ₄	1 ³ / ₄	7 ¹ / ₁₆	5 ¹ / ₁₆	15 ¹⁵ / ₁₆	2 ³ / ₁₆	5 ¹¹ / ₁₆
CAH-1045-LP	1/2	13 ⁷ / ₈	8 ¹ / ₈	4 ³ / ₄	1 ³ / ₄	7 ¹ / ₁₆	5 ¹ / ₁₆	15 ¹⁵ / ₁₆	2 ³ / ₁₆	5 ¹¹ / ₁₆
CAH-1045-RC	1/2	13 ⁷ / ₈	8 ¹ / ₈	4 ³ / ₄	1 ³ / ₄	7 ¹ / ₁₆	5 ¹ / ₁₆	15 ¹⁵ / ₁₆	2 ³ / ₁₆	5 ¹¹ / ₁₆
CAH-1045-RP	1/2	13 ⁷ / ₈	8 ¹ / ₈	4 ³ / ₄	1 ³ / ₄	7 ¹ / ₁₆	5 ¹ / ₁₆	15 ¹⁵ / ₁₆	2 ³ / ₁₆	5 ¹¹ / ₁₆
CAH-2023-LC	1	17	8 ¹ / ₄	5 ³ / ₄	3 ³ / ₄	7 ¹ / ₁₆	5 ¹ / ₁₆	15 ¹⁵ / ₁₆	2 ³ / ₁₆	6 ¹¹ / ₁₆
CAH-2023-LP	1	17	8 ¹ / ₄	5 ³ / ₄	3 ³ / ₄	7 ¹ / ₁₆	5 ¹ / ₁₆	15 ¹⁵ / ₁₆	2 ³ / ₁₆	6 ¹¹ / ₁₆
CAH-2023-RC	1	17	8 ¹ / ₄	5 ³ / ₄	3 ³ / ₄	7 ¹ / ₁₆	5 ¹ / ₁₆	15 ¹⁵ / ₁₆	2 ³ / ₁₆	6 ¹¹ / ₁₆
CAH-2023-RP	1	17	8 ¹ / ₄	5 ³ / ₄	3 ³ / ₄	7 ¹ / ₁₆	5 ¹ / ₁₆	15 ¹⁵ / ₁₆	2 ³ / ₁₆	6 ¹¹ / ₁₆
Spark Resistant Models										
CAH-0760-CS	3/8	13 ⁷ / ₈	8 ¹ / ₈	4 ³ / ₄	1 ³ / ₄	7 ¹ / ₁₆	5 ¹ / ₁₆	15 ¹⁵ / ₁₆	2 ³ / ₁₆	5 ¹¹ / ₁₆
CAH-0760-PS	3/8	13 ⁷ / ₈	8 ¹ / ₈	4 ³ / ₄	1 ³ / ₄	7 ¹ / ₁₆	5 ¹ / ₁₆	15 ¹⁵ / ₁₆	2 ³ / ₁₆	5 ¹¹ / ₁₆
CAH-1529-CS	3/4	17	8 ¹ / ₄	5 ³ / ₄	3 ³ / ₄	7 ¹ / ₁₆	5 ¹ / ₁₆	15 ¹⁵ / ₁₆	2 ³ / ₁₆	6 ¹¹ / ₁₆
CAH-1529-PS	3/4	17	8 ¹ / ₄	5 ³ / ₄	3 ³ / ₄	7 ¹ / ₁₆	5 ¹ / ₁₆	15 ¹⁵ / ₁₆	2 ³ / ₁₆	6 ¹¹ / ₁₆

NOTE: All dimensions in inches unless otherwise indicated.

CAH Large Frame (Hook Mount) 1/2 - 3 Ton

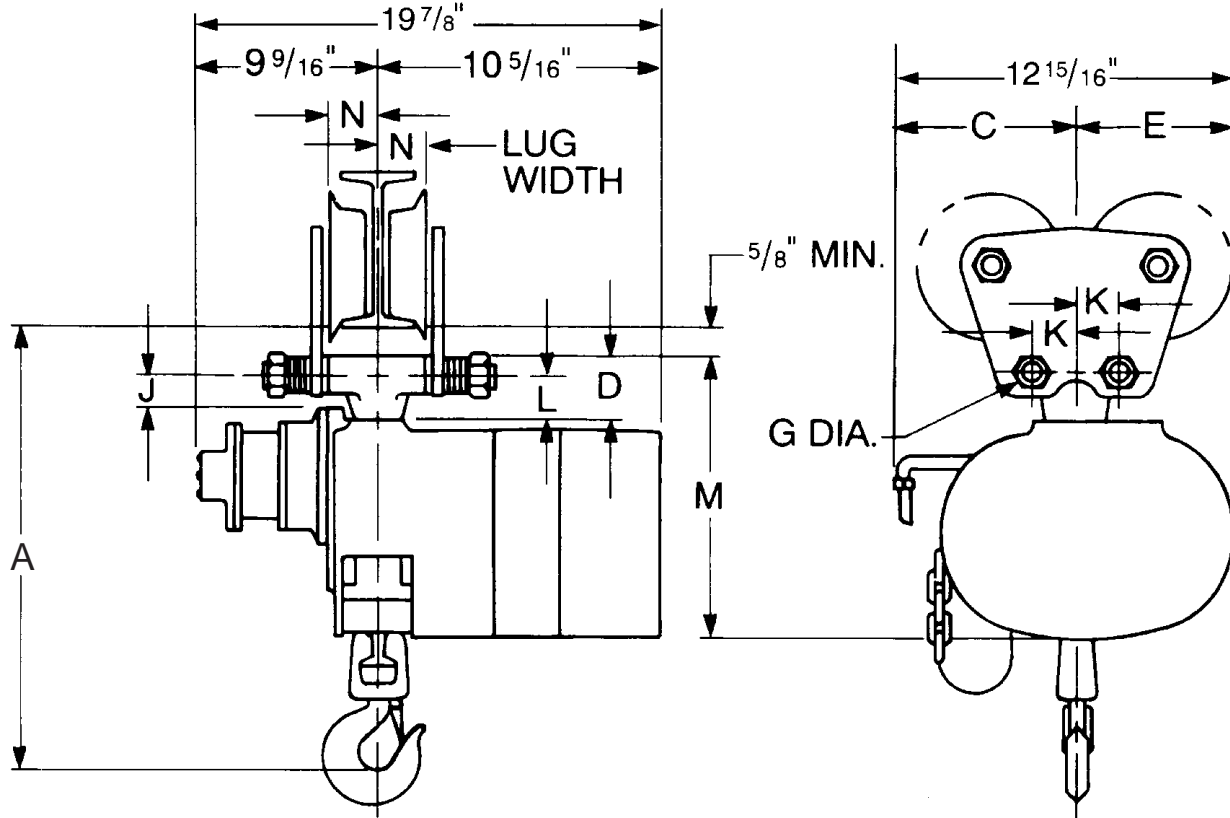


Dimensions

Model Number	Rated Load (Ton)	A	B	C	D	E
CAH-2013	1	16 ⁹ / ₁₆	11 ¹ / ₁₆	6 ³ / ₄	2 ¹¹ / ₁₆	6 ³ / ₁₆
CAH-2030	1	16 ⁹ / ₁₆	11 ¹ / ₁₆	6 ³ / ₄	2 ¹¹ / ₁₆	6 ³ / ₁₆
CAH-4006	2	22 ¹ / ₄	12 ¹³ / ₁₆	8 ¹ / ₁₆	4 ⁷ / ₁₆	4 ⁷ / ₈
CAH-4015	2	22 ¹ / ₄	12 ¹³ / ₁₆	8 ¹ / ₁₆	4 ⁷ / ₁₆	4 ⁷ / ₈
CAH-6004	3	24	14 ³ / ₈	5 ¹³ / ₁₆	5 ⁵ / ₈	7 ¹ / ₈
CAH-6010	3	24	14 ³ / ₈	5 ¹³ / ₁₆	5 ⁵ / ₈	7 ¹ / ₈
<i>Spark Resistant Models</i>						
CAH-1016-S	1/2	16 ³ / ₄	11 ¹ / ₁₆	6 ³ / ₄	2 ¹¹ / ₁₆	6 ³ / ₁₆
CAH-2008-S	1	22 ⁷ / ₈	12 ¹³ / ₁₆	8 ¹ / ₁₆	4 ⁷ / ₁₆	4 ⁷ / ₈
CAH-4005-S	2	25 ⁷ / ₈	14 ³ / ₈	5 ¹³ / ₁₆	5 ⁵ / ₈	7 ¹ / ₈

NOTE: All dimensions in inches unless otherwise indicated.

CAH Large Frame (Lug Mount) 1/2 - 3 Ton

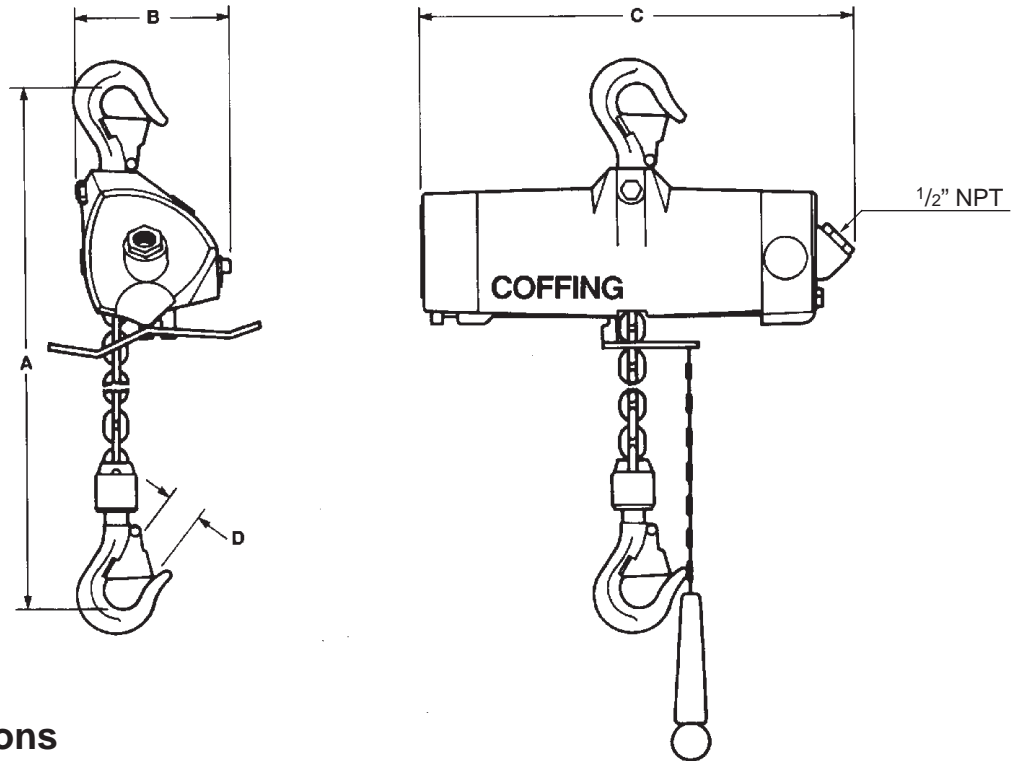


Dimensions

Model Number	Rated Load (Ton)	A	C	D	E	G	J	K	L	M	N
CAH-2013	1	16 ¹ / ₁₆	6 ³ / ₄	2	6 ³ / ₁₆	5/8	7/8	1 ⁹ / ₁₆	1 ⁵ / ₁₆	9 ¹⁵ / ₁₆	1 ¹³ / ₁₆
CAH-2030	1	16 ¹ / ₁₆	6 ³ / ₄	2	6 ³ / ₁₆	5/8	7/8	1 ⁹ / ₁₆	1 ⁵ / ₁₆	9 ¹⁵ / ₁₆	1 ¹³ / ₁₆
CAH-4006	2	19 ³ / ₄	8 ¹ / ₁₆	2 ¹³ / ₁₆	4 ⁷ / ₈	1	1 ¹ / ₂	2 ¹ / ₂	1 ¹⁵ / ₁₆	10 ¹¹ / ₁₆	2 ³ / ₁₆
CAH-4015	2	19 ³ / ₄	8 ¹ / ₁₆	2 ¹³ / ₁₆	4 ⁷ / ₈	1	1 ¹ / ₂	2 ¹ / ₂	1 ¹⁵ / ₁₆	10 ¹¹ / ₁₆	2 ³ / ₁₆
CAH-6004	3	23 ³ / ₄	5 ¹³ / ₁₆	4 ⁵ / ₈	7 ¹ / ₈	1 ¹ / ₄	2 ¹⁵ / ₁₆	3	3 ³ / ₈	12 ⁷ / ₈	3
CAH-6010	3	23 ³ / ₄	5 ¹³ / ₁₆	4 ⁵ / ₈	7 ¹ / ₈	1 ¹ / ₄	2 ¹⁵ / ₁₆	3	3 ³ / ₈	12 ⁷ / ₈	3
<i>Spark Resistant Models</i>											
CAH-1016-S	1/2	16 ¹ / ₄	6 ³ / ₄	2	6 ³ / ₁₆	5/8	7/8	1 ⁹ / ₁₆	1 ⁵ / ₁₆	9 ¹⁵ / ₁₆	1 ¹³ / ₁₆
CAH-2008-S	1	21 ³ / ₈	8 ¹ / ₁₆	2 ¹³ / ₁₆	4 ⁷ / ₈	1	1 ¹ / ₂	2 ¹ / ₂	1 ¹⁵ / ₁₆	10 ¹¹ / ₁₆	2 ³ / ₁₆
CAH-4005-S	2	25	5 ¹³ / ₁₆	4 ⁵ / ₈	7 ¹ / ₈	1 ¹ / ₄	2 ¹⁵ / ₁₆	3	3 ³ / ₈	12 ⁷ / ₈	3

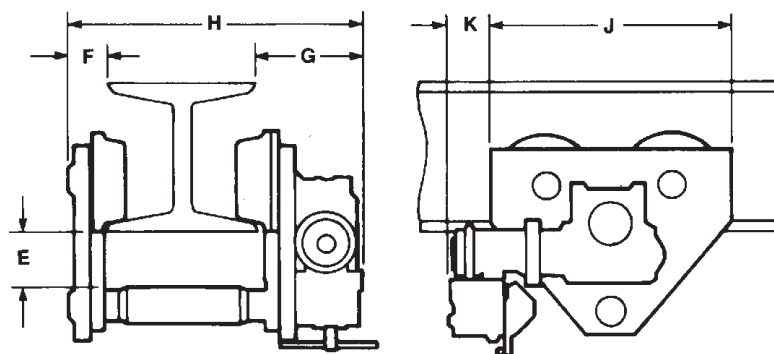
NOTE: All dimensions in inches unless otherwise indicated.

AC (Hook Mount) 1/4 to 6 Ton



Dimensions

Model Number	Rated Load		A	B	C	D	Reeving
	(Lbs.)	(Ton)					
AC-0500	500	1/4	14 ^{13/16}	4 ^{15/16}	15 ^{3/8}	1 ^{3/16}	Single
AC-1000	1000	1/2	14 ^{13/16}	4 ^{15/16}	15 ^{3/8}	1 ^{3/16}	Single
AC-2000	2000	1	17 ^{1/2}	4 ^{5/8}	15 ^{3/8}	1 ^{3/16}	Double
AC-6000	6000	3	22 ^{5/8}	8 ^{5/16}	21 ^{1/2}	2	Single
AC-12000	12000	6	30 ^{7/8}	9 ^{13/16}	21 ^{1/2}	2 ^{7/16}	Double

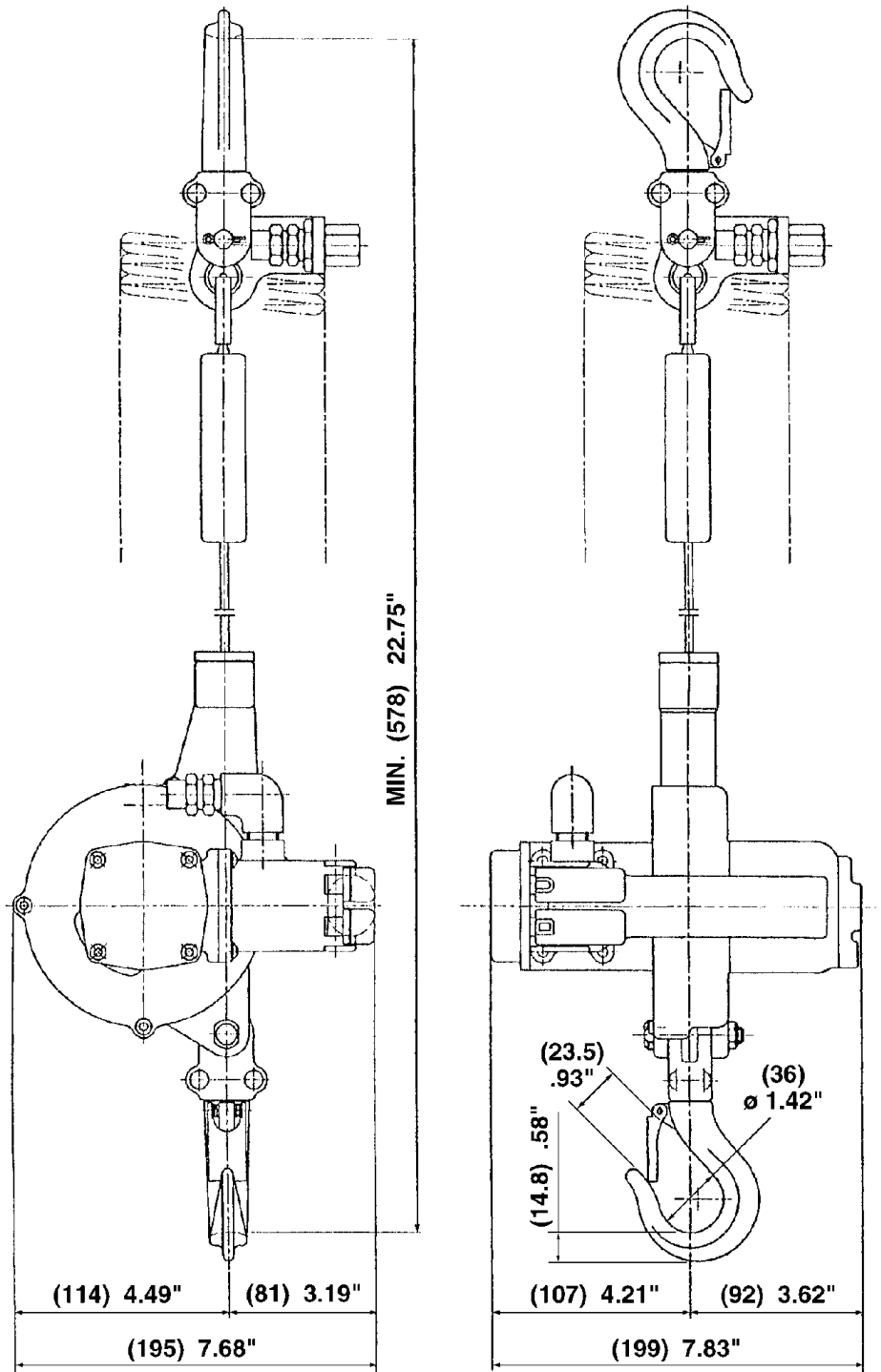


Air Powered Trolley For 3 & 6 Ton AC Hoist

Product Code	Rated Load (Lbs.)	Beam Height (Ins.)	Flange Width (Ins.)	Minimum Radius Curve (Ins.)	E	F	G	H	J	K	Shipping Weight (Lbs.)
17450	6000	12-24	5.20-10.30	55	3 ^{1/4}	1 ^{1/2}	6 ^{5/16}	13	12 ^{15/16}	5	99
17455	12000	18-24	5.70-10.30	70	4 ^{5/8}	1 ^{5/8}	7 ^{1/8}	14 ^{7/16}	16 ^{5/8}	3 ^{1/8}	212

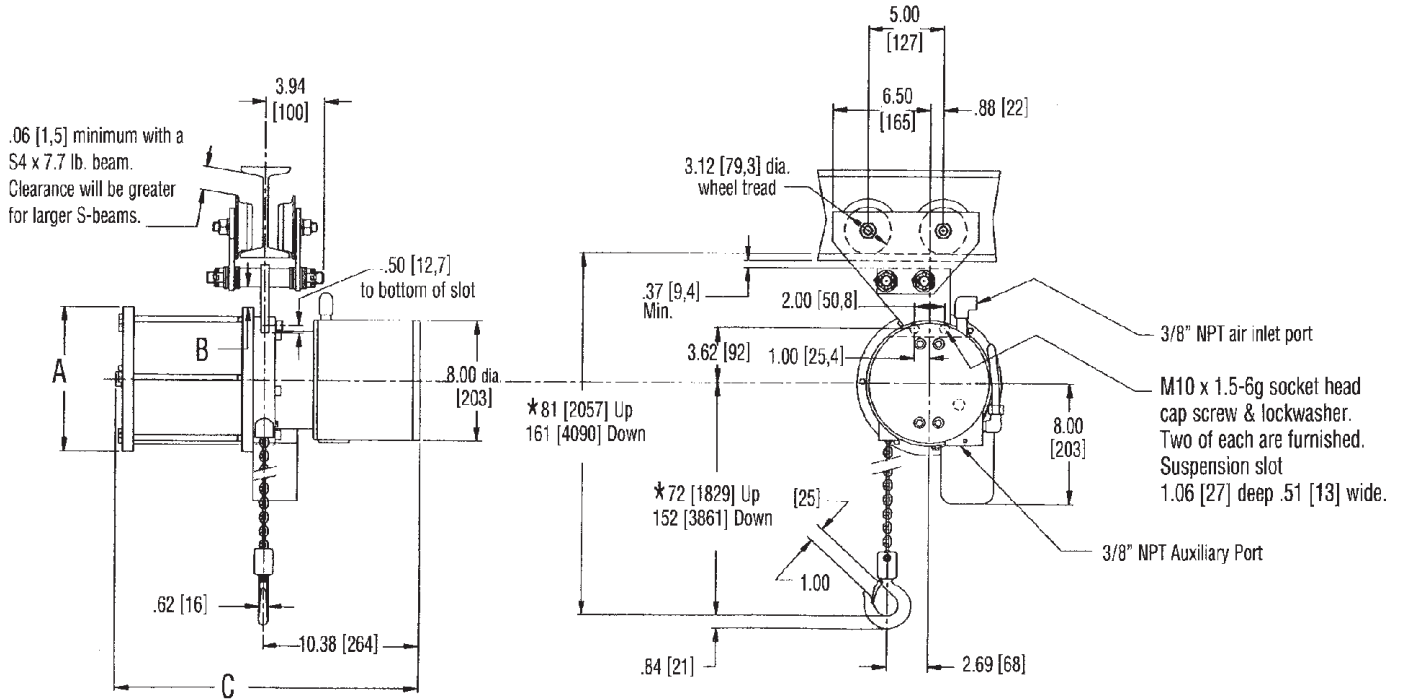
Dimensions are in inches unless otherwise indicated.

TMM-140 300 Lb. / 140 Kg.



NOTE: Dimensions in parenthesis are in millimeters, other dimensions are in inches. Top and bottom hook dimensions are the same.

Air Balancer 120 Lb. / 140 Kg. to 500 Lb. / 228 Kg.



MODELS / Capacities

	120	200	300	500
A dia. in inches (mm)	7.75 (197)	9.63 (245)	11.63 (296)	11.63 (296)
B in inches (mm)	2.00 (51)	1.38 (35)	.38 (10)	.38 (10)
C in inches (mm)	20.33 (517)	20.33 (517)	20.45 (520)	31.0 (787)

Nominal dimension based on the standard length of chain supplied with the Coffing Air Balancer. The chain may be shortened by the customer.

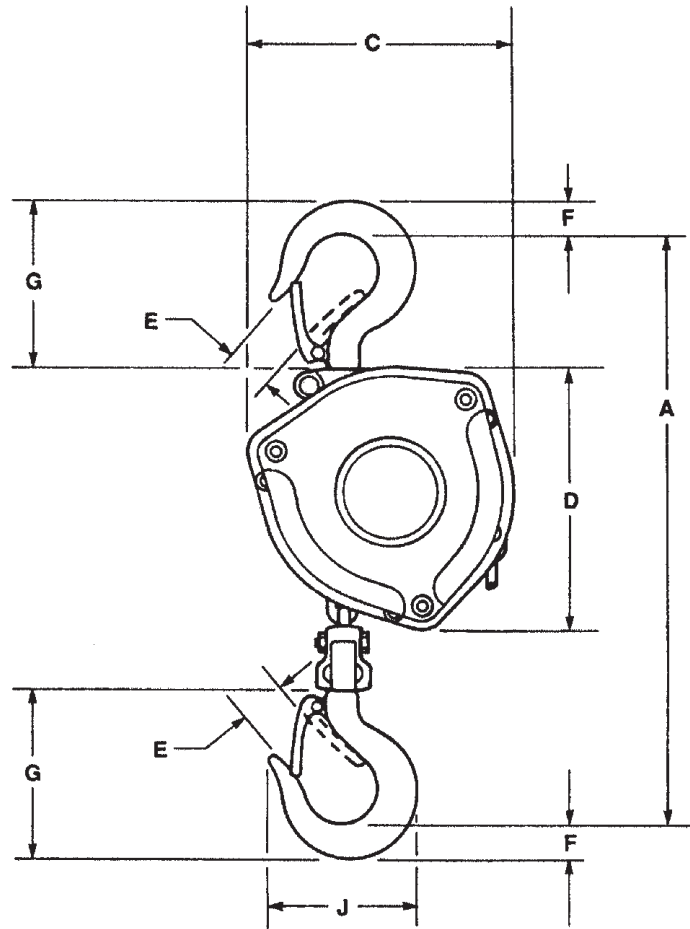
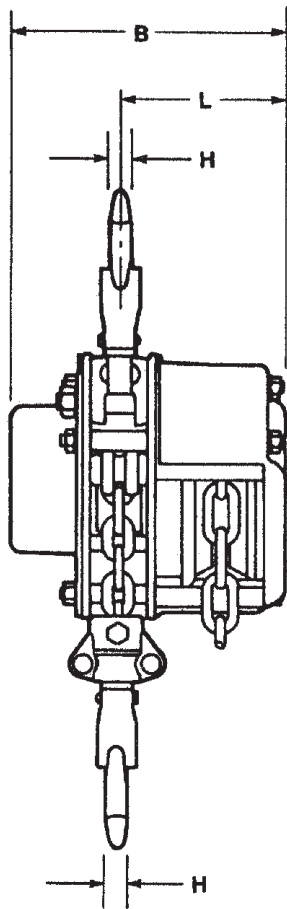
Dimensions are in inches (mm).
90 psi air (6 bar) input is required to operate at the rated capacity.
Color: Red tubes with aluminum center and end plates.

**COFFING AIR BALANCER
LOW HEADROOM TROLLEY**

The Low Headroom Trolley is optional and must be ordered as an additional item for the Coffing Air Balancer. Other suspensions systems are available. Includes Coffing adapter bracket #17150.

Capacity in Lbs. (kgs.)	500 (228)
Product Code	17155
Beam Flange Width Range in Inches (mm)	2 5/8 through 5 5/8 (66 through 123)
Minimum Radius Curve in Inches (mm)	24 (609)

LHH 1/2 to 50 Ton

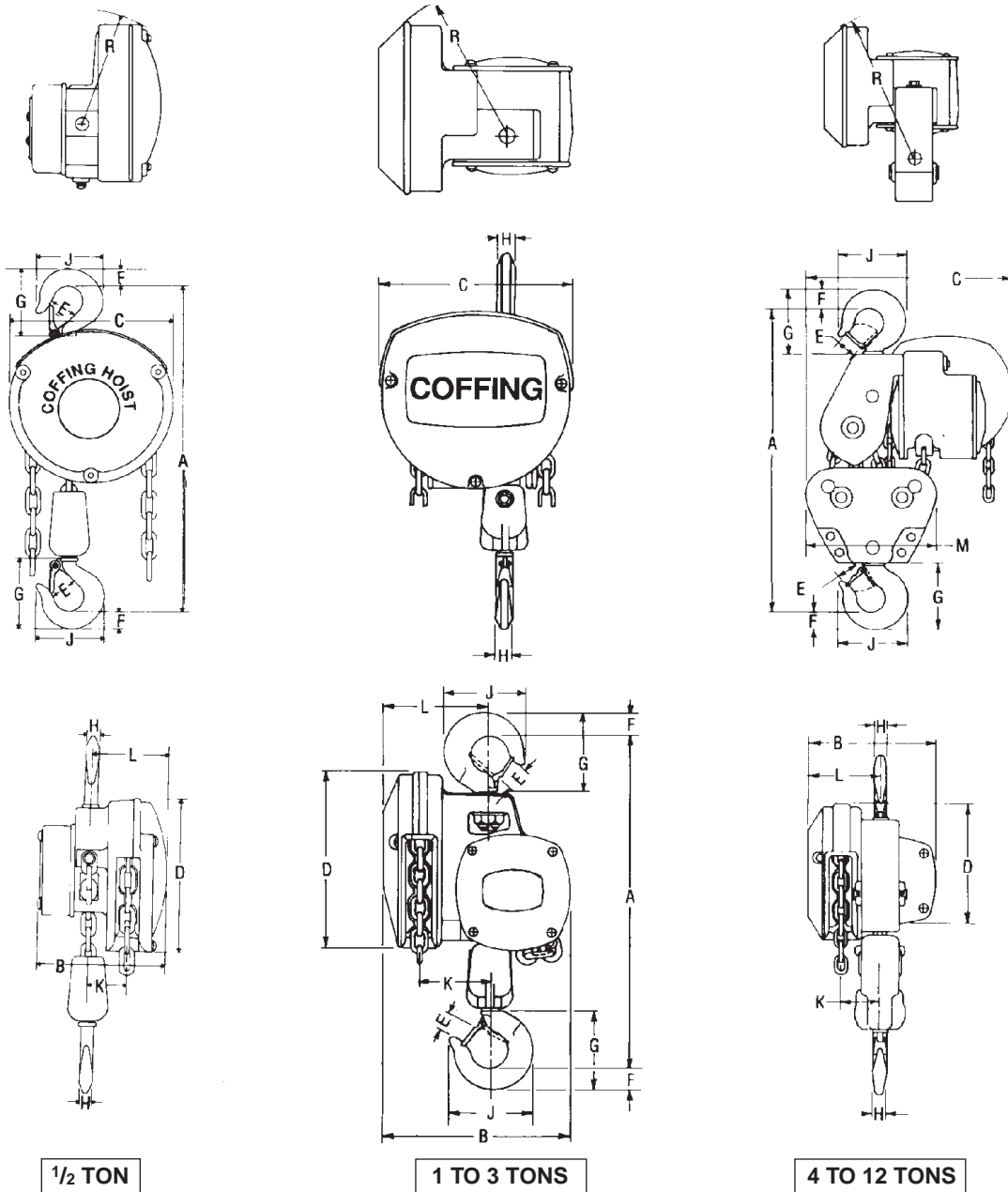


Dimensions

Model Number	Rated Load (Ton)	A	B	C	D	E	F	G	H	J	K	No. of Load Chains
LHH-1/2B	1/2	10 ¹ / ₄	5 ⁷ / ₁₆	5 ⁷ / ₁₆	5 ¹ / ₄	1 ⁵ / ₁₆	5/8	3 ³ / ₈	7/16	2 ¹⁵ / ₁₆	3 ¹ / ₄	1
LHH-1B	1	11 ³ / ₁₆	5 ¹⁵ / ₁₆	6 ¹ / ₄	6	1 ¹ / ₈	5/16	4 ¹ / ₁₆	5/8	3 ¹⁹ / ₃₂	3 ⁷ / ₁₆	1
LHH-1 ¹ / ₂ B	1 ¹ / ₂	15 ³ / ₄	6 ¹ / ₂	7 ¹ / ₄	6 ¹ / ₈	1 ⁵ / ₁₆	1 ¹ / ₈	3 ⁹ / ₁₆	1 ³ / ₁₆	4	3 ⁵ / ₈	1
LHH-2B	2	15	7 ¹ / ₄	8 ⁷ / ₁₆	8 ¹ / ₂	1 ³ / ₈	1 ¹ / ₄	4 ¹⁵ / ₁₆	7/8	4 ⁹ / ₁₆	3 ⁷ / ₈	1
LHH-3B	3	17 ¹ / ₈	7 ¹³ / ₁₆	10	10	1 ⁹ / ₁₆	1 ¹ / ₂	5 ³ / ₄	1 ¹ / ₈	5 ⁷ / ₁₆	4 ³ / ₈	1
LHH-5B	5	22 ⁵ / ₈	6 ¹ / ₂	11 ¹ / ₈	7 ⁵ / ₁₆	1 ⁷ / ₈	1 ¹³ / ₁₆	6 ¹³ / ₁₆	1 ³ / ₈	6 ¹ / ₂	3 ⁵ / ₈	3
LHH-8B	8	32 ¹ / ₂	7 ¹³ / ₁₆	15 ¹ / ₁₆	—	2 ³ / ₄	2 ¹ / ₂	9 ¹⁷ / ₃₂	1 ¹³ / ₁₆	8 ³ / ₄	4 ³ / ₁₆	3
LHH-10B	10	32 ¹ / ₂	7 ¹³ / ₁₆	15 ¹ / ₁₆	—	2 ³ / ₄	2 ¹ / ₂	9 ¹⁷ / ₃₂	1 ¹³ / ₁₆	8 ³ / ₄	4 ³ / ₁₆	3
LHH-12B	12	50 ⁵ / ₈	7 ¹³ / ₁₆	20 ⁵ / ₁₆	—	2 ¹⁵ / ₁₆	2 ²⁷ / ₃₂	11 ³ / ₁₆	2 ⁷ / ₁₆	10 ¹¹ / ₁₆	4 ³ / ₁₆	5
LHH-15B	15	50 ⁵ / ₈	7 ¹³ / ₁₆	20 ⁵ / ₁₆	—	2 ¹⁵ / ₁₆	2 ²⁷ / ₃₂	11 ³ / ₁₆	2 ⁷ / ₁₆	10 ¹¹ / ₁₆	4 ³ / ₁₆	5
LHH-20B	20	52 ³ / ₈	12 ¹ / ₈	28 ⁷ / ₈	—	3 ¹ / ₈	3 ⁹ / ₁₆	12 ⁹ / ₁₆	3 ⁹ / ₁₆	12 ¹ / ₂	6 ¹ / ₁₆	6
LHH-25B	25	52 ⁷ / ₈	14 ¹ / ₂	28 ⁷ / ₈	—	3 ¹ / ₈	3 ¹ / ₂	12 ⁹ / ₁₆	3 ⁹ / ₁₆	12 ¹ / ₂	7 ¹ / ₄	8
LHH-30B	30	65	16 ⁷ / ₈	29 ⁵ / ₈	—	4 ³ / ₁₆	4 ³¹ / ₃₂	18 ³ / ₁₆	4 ⁷ / ₁₆	15 ³ / ₁₆	8 ⁷ / ₁₆	10
LHH-40B	40	73 ⁵ / ₁₆	20 ¹ / ₈	29 ⁵ / ₈	—	4 ¹ / ₁₆	6 ³ / ₁₆	22 ¹ / ₄	5 ¹ / ₄	17 ⁵ / ₈	10 ¹ / ₁₆	14
LHH-50B	50	77 ⁵ / ₈	25 ⁷ / ₈	29 ⁵ / ₈	—	4 ³ / ₄	6 ³ / ₄	23 ³ / ₄	6 ⁷ / ₈	20 ¹ / ₄	12 ¹⁵ / ₁₆	20

Dimensions are in inches unless otherwise indicated.

CA and CB 1/2 Ton - CA 1-12 Ton - CB (with or without Capacity Limiter)



1/2 TON

1 TO 3 TONS

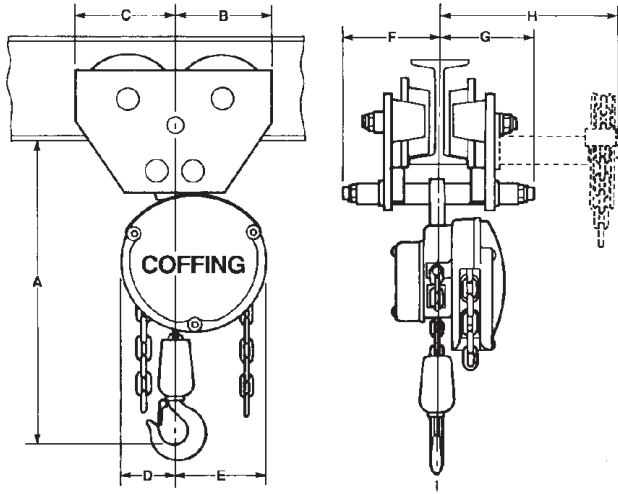
4 TO 12 TONS

Dimensions

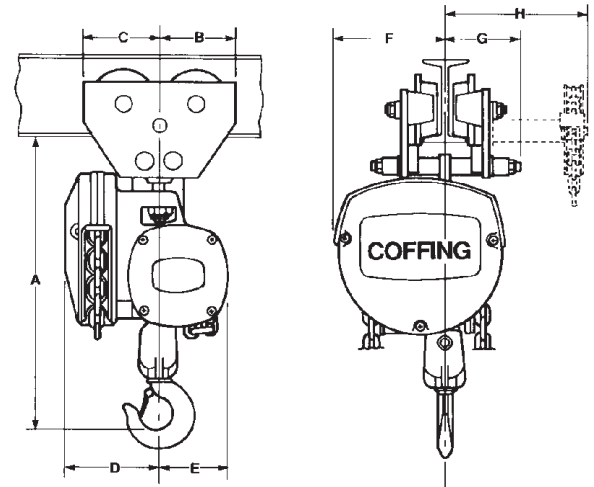
Model No.	Rated Load		A	B	C	D	E	F	G	H	J	K	L	M	R
	(Lbs.)	(Ton)													
CA-1/2	1000	1/2	13 ¹ / ₄	6 ¹ / ₂	8 ¹ / ₄	8	1	1	3 ¹¹ / ₁₆	3/4	3 ⁵ / ₈	2	3 ¹⁵ / ₁₆	—	6 ¹ / ₈
CB-1	2000	1	13 ³ / ₈	9	8 ⁵ / ₁₆	8	1	1	3 ¹¹ / ₁₆	3/4	3 ⁵ / ₈	3 ³ / ₄	5 ¹ / ₈	—	7 ¹ / ₈
CB-1 1/2	3000	1 1/2	18 ¹ / ₂	10 ⁵ / ₈	10 ³ / ₄	10 ³ / ₁₆	11 ¹¹ / ₃₂	17/16	5 ⁷ / ₃₂	1 ¹ / ₈	4 ¹⁵ / ₁₆	4 ³ / ₁₆	6	—	9
CB-2	4000	2	18 ¹ / ₂	10 ⁵ / ₈	10 ³ / ₄	10 ³ / ₁₆	11 ¹¹ / ₃₂	17/16	5 ⁷ / ₃₂	1 ¹ / ₈	4 ¹⁵ / ₁₆	4 ³ / ₁₆	6	—	9
CB-3	6000	3	21 ¹ / ₂	12	10 ³ / ₄	10 ³ / ₁₆	11 ¹¹ / ₁₆	11 ¹³ / ₁₆	6 ⁹ / ₁₆	1 ³ / ₈	6 ¹ / ₂	4 ¹¹ / ₁₆	6 ¹ / ₂	—	9 ³ / ₄
CB-4	8000	4	25 ¹ / ₄	10 ⁵ / ₈	13 ¹ / ₁₆	10 ³ / ₁₆	11 ¹ / ₁₆	11 ¹³ / ₁₆	6 ⁹ / ₁₆	1 ³ / ₈	6 ¹ / ₂	4 ³ / ₁₆	6	5 ¹ / ₈	11 ¹ / ₄
CB-5	10000	5	26 ³ / ₄	10 ⁵ / ₈	15	10 ³ / ₁₆	11 ¹ / ₁₆	11 ¹³ / ₁₆	6 ⁹ / ₁₆	1 ³ / ₈	6 ¹ / ₂	4 ³ / ₁₆	6	5 ⁵ / ₈	12
CB-6	12000	6	26 ³ / ₄	10 ⁵ / ₈	15	10 ³ / ₁₆	11 ¹ / ₁₆	11 ¹³ / ₁₆	6 ⁹ / ₁₆	1 ³ / ₈	6 ¹ / ₂	4 ³ / ₁₆	6	5 ⁵ / ₈	12
CB-8	16000	8	28 ¹ / ₂	10 ⁵ / ₈	16 ⁷ / ₁₆	10 ³ / ₁₆	2 ¹ / ₁₆	2 ¹ / ₄	8 ¹ / ₈	1 ⁵ / ₈	7 ⁹ / ₁₆	4 ³ / ₁₆	6	10 ¹ / ₂	12 ³ / ₈
CB-10	20000	10	31	12	18 ¹ / ₈	11 ¹ / ₈	2 ¹ / ₄	2 ⁵ / ₈	9 ¹ / ₁₆	1 ¹⁵ / ₁₆	8 ¹¹ / ₁₆	4 ¹¹ / ₁₆	6 ¹ / ₂	12	13 ⁵ / ₈
CB-12	24000	12	31	12	18 ¹ / ₈	11 ¹ / ₈	2 ¹ / ₄	2 ⁵ / ₈	9 ¹ / ₁₆	1 ¹⁵ / ₁₆	8 ¹¹ / ₁₆	4 ¹¹ / ₁₆	6 ¹ / ₂	12	13 ⁵ / ₈

Note: Where clearance dimensions are critical, request certified prints. Dimensions are in inches unless otherwise indicated.

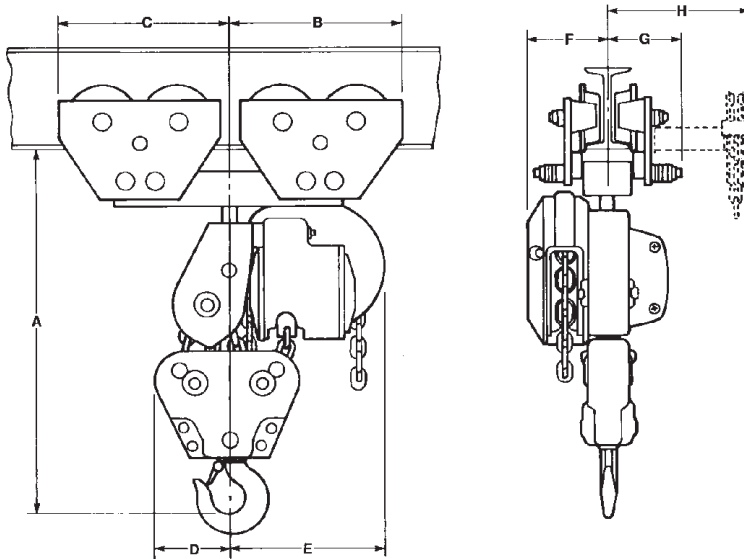
CTH Trolley Mounted Suspension



CTH-1/2 TON



CTH-1 TON TO 3 TONS



CTH-4 TON TO 6 TONS (Straight Track Only)

All dimensions are based on 6" x 12.5# American Standard I-Beam for 1/2 thru 3 Ton models.

All dimensions are based on 8" x 18.4# American Standard I-Beam for 4 thru 6 Ton models.

4-Ft. Minimum Radius on 1/2 thru 3 Ton models.

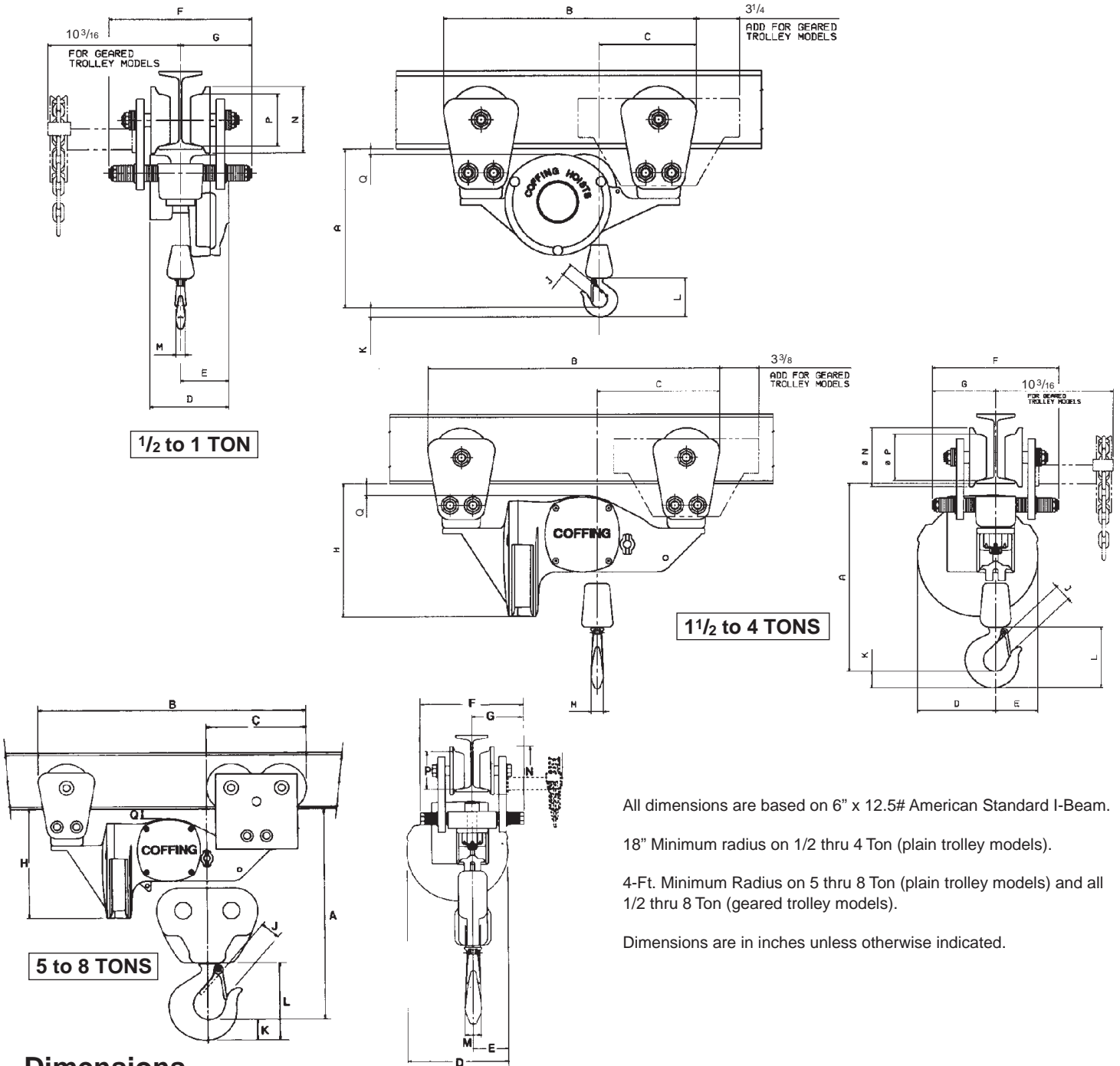
Dimensions are in inches unless otherwise indicated.

Dimensions

Model Number	A	B	C	D	E	F	G	H
CTH1/2	14	6 1/4	6 1/4	2 7/8	5 1/4	5 3/8	5 3/8	7 7/8
CTH1	14 3/8	6 1/4	6 1/4	5 1/8	3 7/8	5 3/8	5 3/8	7 7/8
CTH1 1/2 & 2	18 3/4	6 1/4	6 1/4	6	4 5/8	6 15/16	5 3/8	7 7/8
CTH3	20	6 3/8	6 3/8	6 1/2	5 1/2	7 1/4	5 3/8	7 7/8
CTH4	27 1/16	12 3/4	12 3/4	3	10 1/16	6	5 3/8	8 1/4
CTH5 & 6	27 3/4	12 7/8	12 7/8	4 3/8	10 5/8	6	5 3/8	8 1/4

Note: Where clearance dimensions are critical, request certified prints.

AT 1/2 to 8 Ton



All dimensions are based on 6" x 12.5# American Standard I-Beam.

18" Minimum radius on 1/2 thru 4 Ton (plain trolley models).

4-Ft. Minimum Radius on 5 thru 8 Ton (plain trolley models) and all 1/2 thru 8 Ton (geared trolley models).

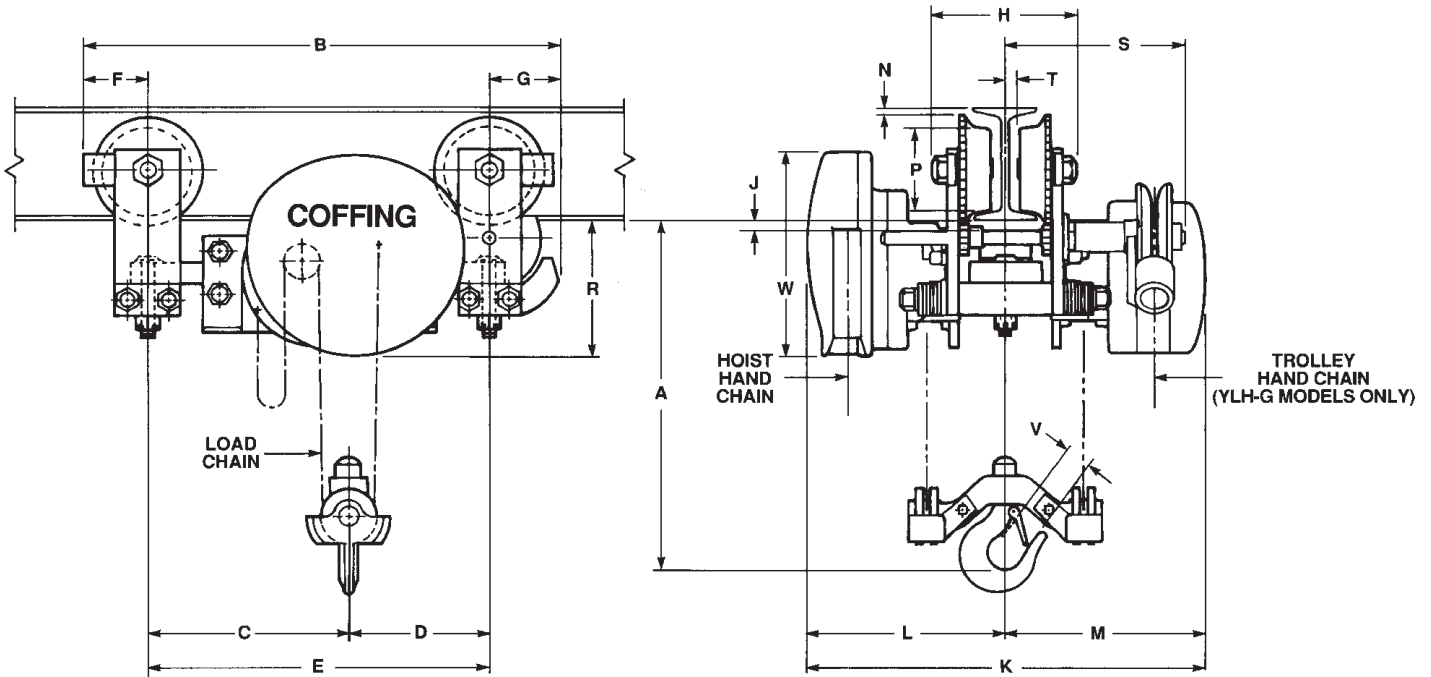
Dimensions are in inches unless otherwise indicated.

Dimensions

Model No.	A	B	C	D	E	F	G	H	J	K	L	M	N	P	Q
AT1/2	10 ³ / ₁₆	19 ¹¹ / ₁₆	7 ¹⁷ / ₃₂	6 ¹ / ₈	3 ³ / ₄	10 ³ / ₄	5 ³ / ₈	8 ¹ / ₄	1	1	3 ¹¹ / ₁₆	3/4	5 ¹ / ₈	4	1 ³ / ₃₂
AT1	11	19 ¹¹ / ₁₆	6 ²⁷ / ₃₂	6 ¹ / ₈	3 ³ / ₄	10 ³ / ₄	5 ³ / ₈	8 ¹ / ₄	1	1	3 ¹¹ / ₁₆	3/4	5 ¹ / ₈	4	1 ³ / ₃₂
AT1 1/2	14 ⁵ / ₈	25 ⁹ / ₁₆	10 ³ / ₄	10 ¹ / ₂	3 ¹¹ / ₁₆	10 ³ / ₄	5 ³ / ₈	11 ⁹ / ₁₆	1 ¹¹ / ₃₂	1 ⁷ / ₁₆	5 ⁷ / ₃₂	1 ¹ / ₈	5 ¹ / ₈	4	1
AT2	14 ⁵ / ₈	25 ⁹ / ₁₆	10 ³ / ₄	10 ¹ / ₂	3 ¹¹ / ₁₆	10 ³ / ₄	5 ³ / ₈	11 ⁹ / ₁₆	1 ¹¹ / ₃₂	1 ⁷ / ₁₆	5 ⁷ / ₃₂	1 ¹ / ₈	5 ¹ / ₈	4	1
AT3	19 ¹ / ₈	25 ⁹ / ₁₆	7 ⁷ / ₈	10 ¹ / ₂	3 ¹¹ / ₁₆	10 ³ / ₄	5 ³ / ₈	11 ⁹ / ₁₆	1 ¹¹ / ₁₆	1 ¹³ / ₁₆	6 ⁹ / ₁₆	1 ³ / ₈	5 ¹ / ₈	4	1
AT4	19 ¹ / ₈	25 ⁹ / ₁₆	7 ⁷ / ₈	10 ¹ / ₂	3 ¹¹ / ₁₆	10 ³ / ₄	5 ³ / ₈	11 ⁹ / ₁₆	1 ¹¹ / ₁₆	1 ¹³ / ₁₆	6 ⁹ / ₁₆	1 ³ / ₈	5 ¹ / ₈	4	1
AT5	21 ⁵ / ₁₆	28 ¹ / ₄	11 ²⁵ / ₃₂	10 ¹ / ₂	3 ¹¹ / ₁₆	10 ³ / ₄	5 ³ / ₈	11 ⁹ / ₁₆	1 ¹¹ / ₁₆	1 ¹³ / ₁₆	6 ⁹ / ₁₆	1 ³ / ₈	5 ¹ / ₈	4	1
AT6	21 ⁵ / ₁₆	28 ¹ / ₄	11 ²⁵ / ₃₂	10 ¹ / ₂	3 ¹¹ / ₁₆	10 ³ / ₄	5 ³ / ₈	11 ⁹ / ₁₆	1 ¹¹ / ₁₆	1 ¹³ / ₁₆	6 ⁹ / ₁₆	1 ³ / ₈	5 ¹ / ₈	4	1
AT8	20 ³ / ₄	27 ¹³ / ₁₆	10 ³ / ₈	10 ¹ / ₂	3 ¹¹ / ₁₆	10 ³ / ₄	5 ³ / ₈	11 ⁹ / ₁₆	2 ¹ / ₁₆	2 ¹ / ₄	8 ¹ / ₈	1 ⁵ / ₈	5 ¹ / ₈	4	1

Note: Where clearance dimensions are critical, request certified prints.

YLH 1/2 to 12 Ton



REEVING DIFFERS FOR 4, 5, 6, 8, 10 & 12-TON MODELS.

Dimensions

Model Number	A	B	C	D	E	F	G	*	**	J	K	L	M	*	P	**	*††	*	V	W
YLH-1/2P(G)	6	23 ⁵ / ₈	10	7 ³ / ₈	17 ³ / ₈	3	3 ¹ / ₄	6 ¹ / ₈	1/2	18	9 ¹ / ₈	8 ⁷ / ₈	1/8	3 ¹ / ₈	6 ¹ / ₂	8	7 ¹ / ₁₆	11 ¹ / ₃₂	9 ¹ / ₂	
YLH-1P(G)	6	22 ¹ / ₈	9 ¹ / ₄	6 ⁵ / ₈	15 ⁷ / ₈	3	3 ¹ / ₄	7	5/8	18 ⁷ / ₈	9 ¹ / ₂	9 ³ / ₈	3/16	4	6 ¹ / ₂	8 ³ / ₈	5/8	15 ¹ / ₃₂	9 ¹ / ₂	
YLH-1 1/2P(G)	6 1/2	22 ¹ / ₈	9 1/4	6 5/8	15 7/8	3	3 1/4	7	5/8	18 7/8	9 1/2	9 3/8	3/16	4	6 1/2	8 3/8	5/8	15 1/16	9 1/2	
YLH-2P(G)	7	22 ⁷ / ₈	9 ¹ / ₂	6 ⁷ / ₈	16 ³ / ₈	3 ¹ / ₄	3 ¹ / ₄	8 ¹ / ₈	9/16	19 ³ / ₈	9 ¹³ / ₁₆	9 ⁹ / ₁₆	3/16	4 ⁷ / ₈	6 ³ / ₄	8 ³ / ₈	5/8	11 ¹ / ₃₂	9 ¹ / ₂	
YLH-3P(G)	7 1/4	22 ⁷ / ₈	9 1/2	6 7/8	16 3/8	3 1/4	3 1/4	8 1/8	9/16	19 3/8	9 13/16	9 9/16	3/16	4 7/8	6 3/4	8 3/8	5/8	11 1/32	9 1/2	
YLH-4P(G)	9 1/4	36 1/2	13 1/8	14 1/8	27 1/4	4 1/4	5	9 3/4	3/4	26 1/4	14 1/16	12 3/16	15/16	6	8 5/8	13 1/4	13/16	11 1/32	11 1/2	
YLH-5P(G)	10 3/8	36 1/2	13 1/8	14 1/8	27 1/4	4 1/4	5	9 3/4	3/4	26 1/4	14 1/16	12 3/16	15/16	6	8 5/8	13 1/4	13/16	13 1/32	11 1/2	
YLH-6P(G)	10 3/8	36 1/2	13 1/8	14 7/8	27 1/4	4 1/4	5	9 3/4	3/4	26 1/4	14 1/16	12 3/16	15/16	6	8 5/8	13 1/4	13/16	11 1/32	11 1/2	
YLH-8P(G)	10 7/8	38 1/4	12 3/8	14 7/8	27 1/4	5 1/4	5 3/4	12 3/4	3/4	26 1/4	14 1/16	12 3/16	5/8	8	8 5/8	14 3/4	11/16	2 1/4	11 1/2	
YLH-10P(G)	14	38 1/4	12 3/8	14 7/8	27 1/4	5 1/4	5 3/4	12 3/4	3/4	26 1/4	14 1/16	12 3/16	5/8	8	8 5/8	14 3/4	11/16	2 23/32	11 1/2	
YLH-12P(G)	14	38 1/4	12 3/8	14 7/8	27 1/4	5 1/4	5 3/4	12 3/4	3/4	26 1/4	14 1/16	12 3/16	5/8	8	8 5/8	14 3/4	11/16	2 23/32	11 1/2	

* Dimensions H, N, S, T are shown for minimum I-beam and increases proportionately for larger beams.

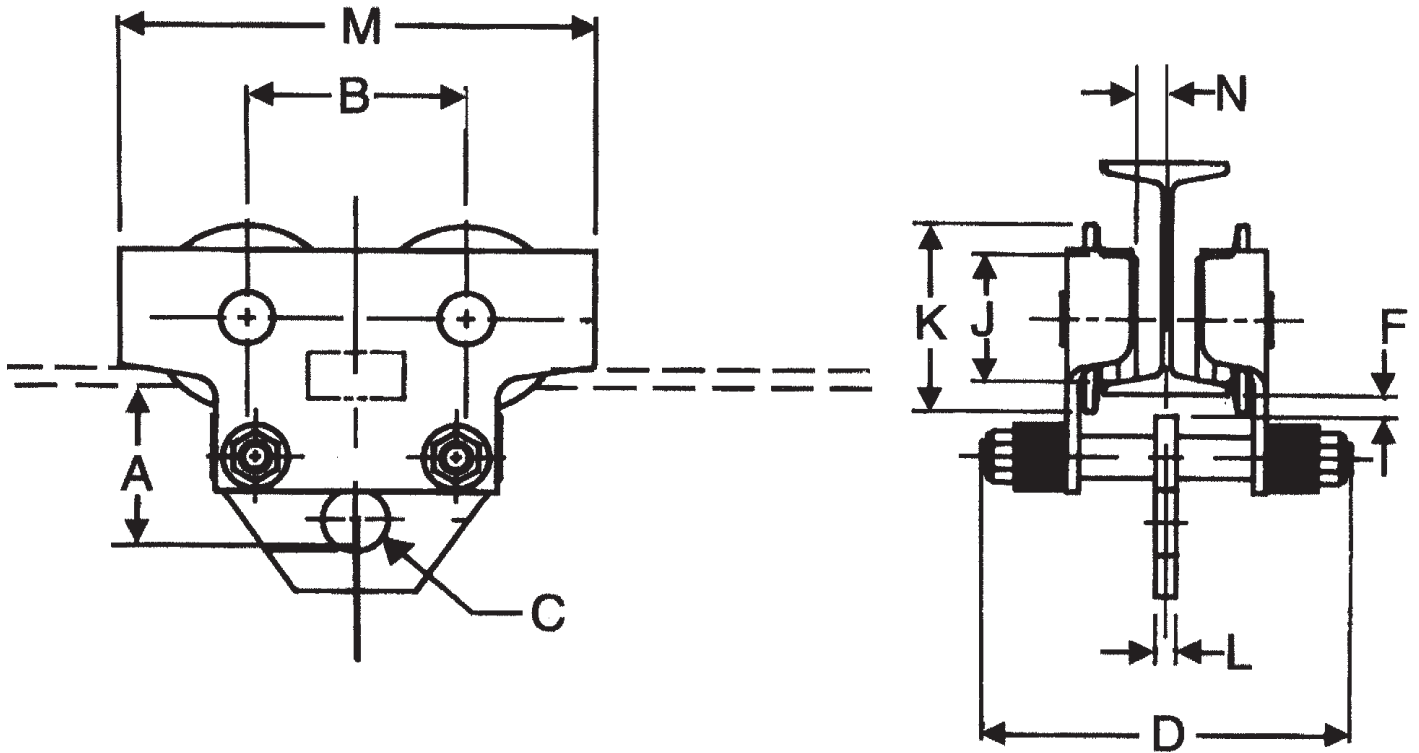
** Dimensions A, J and R are shown for minimum I-beam and decreases proportionately for larger beams.

†† YLH-G dimensions only.

Dimensions are in inches unless otherwise indicated.

Model Number	Beam Size
YLH-1/2P(G)	4 - 12
YLH-1P(G)	5 - 12
YLH-1 1/2P(G)	5 - 12
YLH-2P(G)	6 - 18
YLH-3P(G)	6 - 18
YLH-4P(G)	8 - 24
YLH-5P(G)	8 - 24
YLH-6P(G)	8 - 24
YLH-8P(G)	10 - 24
YLH-10P(G)	10 - 24
YLH-12P(G)	10 - 24

ET-A 1/4 - 5 Ton Plain Trolley

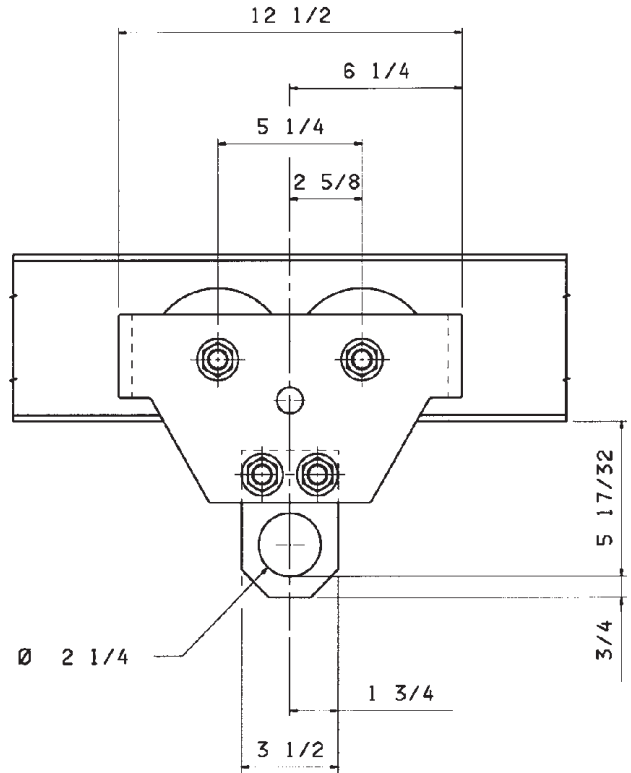
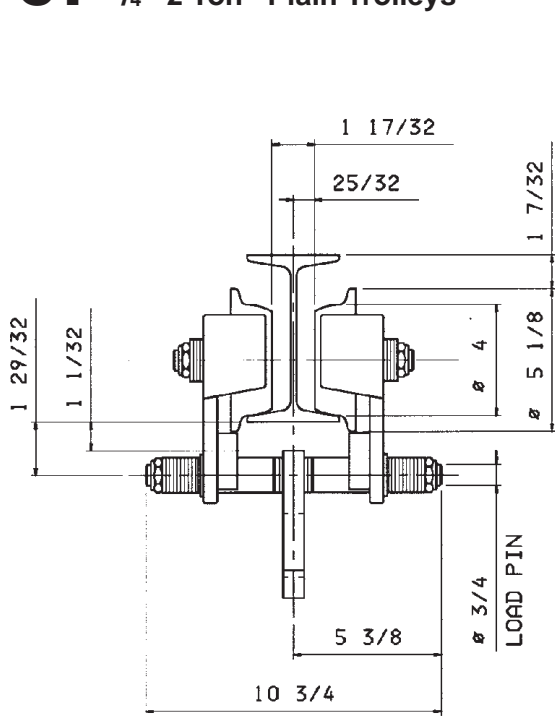


Dimensions

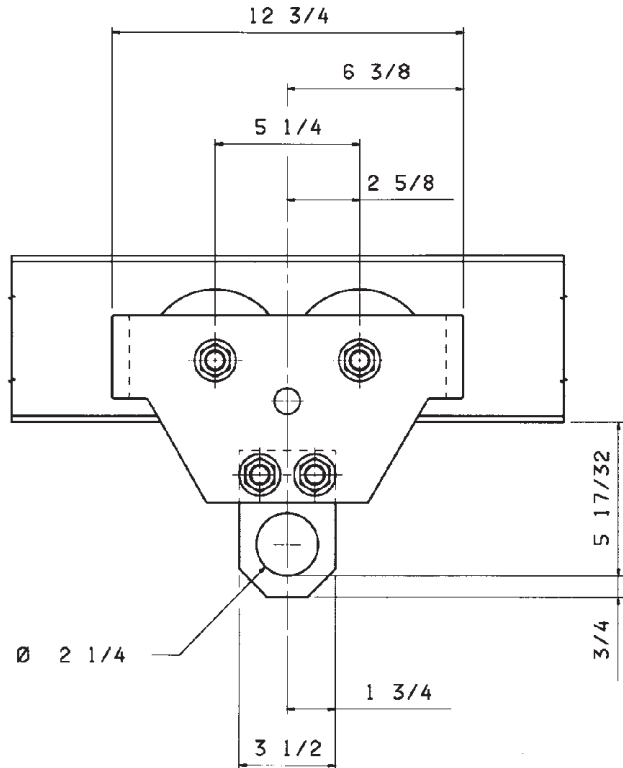
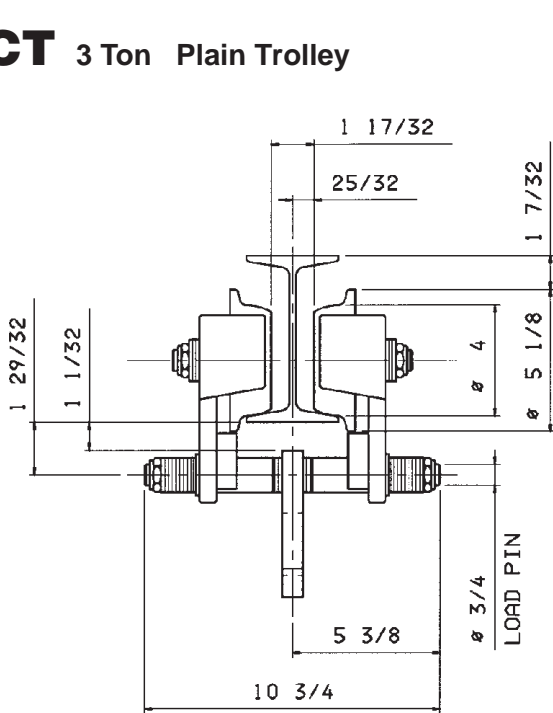
Model Number	Rated Load (Ton)	A	B	C	D	F	J	K	L	M	N	Flange Width	Radius
ET-05-A	1/4	37/8	4 1/8	1 17/64	11 3/4	9/16	2 1/4	37/16	3/8	8 9/16	7/8	2.66 - 8.05	36
ET-10-A	1/2	37/8	4 1/8	1 17/64	11 3/4	9/16	2 1/4	37/16	3/8	8 9/16	7/8	2.66 - 8.05	36
ET-20-A	1	37/8	4 9/16	2 1/4	12	1/2	2 3/4	4 1/16	1/2	9 7/8	7/8	3.00 - 8.05	48
ET-30-A	1 1/2	47/8	6 1/4	2 1/4	12 5/8	5/8	4 1/4	5 3/4	1/2	13 1/2	1 1/4	3.33 - 8.05	60
ET-40-A	2	47/8	6 1/4	2 1/4	12 5/8	5/8	4 1/4	5 3/4	1/2	13 1/2	1 1/4	3.33 - 8.05	60
ET-60-A	3	45/8	6 3/8	2 1/4	13 3/8	23/32	4 1/4	5 3/4	1/2	14 1/8	1 1/4	4.00 - 8.05	60
ET-100-A	5	5 3/8	6 3/4	2 1/2	14 3/4	15/16	4 3/8	6 3/16	5/8	15 7/16	1 5/8	4.60 - 8.05	60

NOTE: All dimensions in inches unless otherwise indicated.

CT 1/4 - 2 Ton Plain Trolleys

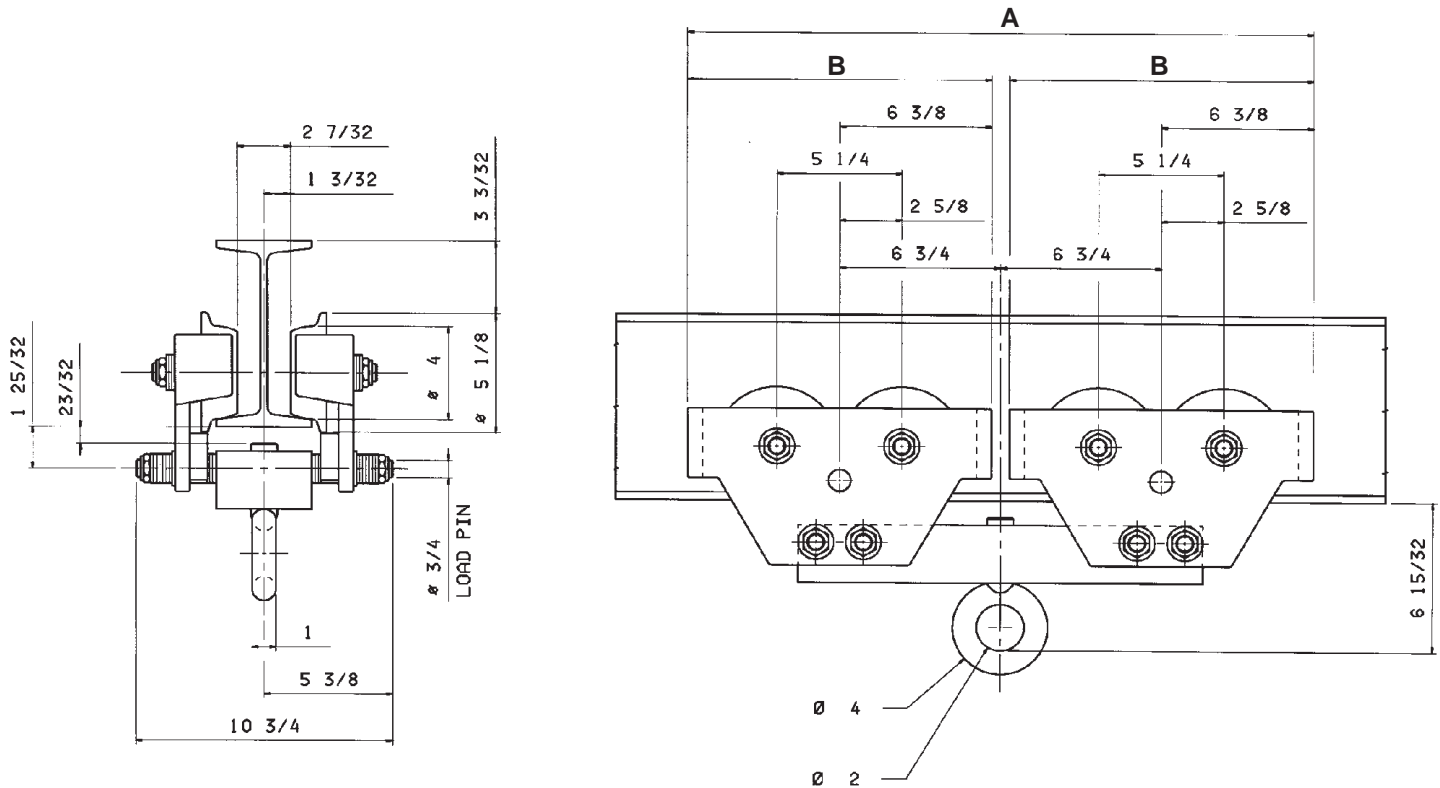


CT 3 Ton Plain Trolley



All dimensions are based on 6" x 12.5# American Standard I-beam
4 Ft. Minimum Radius

CT 4 & 5 Ton Plain Trolleys



Specifications and Dimensions

Rated Load (Lbs.)	Beam Height (In.)	Flange Width (In.)	Weight (Lbs.)	Model Number*	A	B
8000	8 - 18	4.00 - 6.00	123	CT-80P	26	12 1/2
10000	8 - 18	4.00 - 6.00	153	CT-100P	26 1/4	12 3/4

All dimensions are based on 8" @ 18.4# American Standard I-beam.

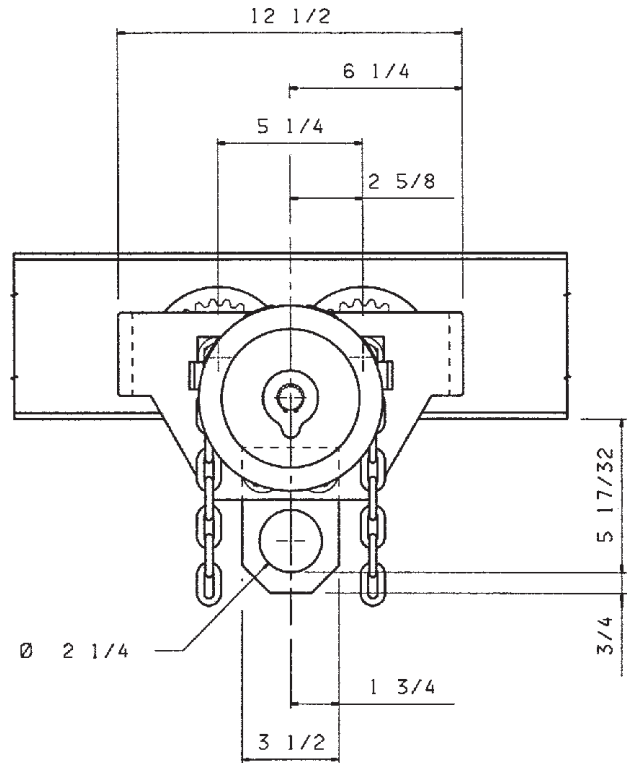
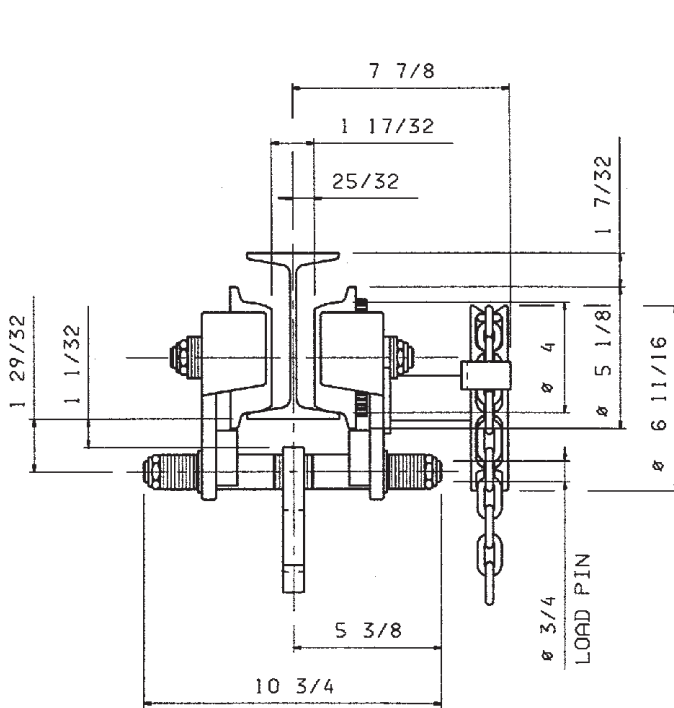
All dimensions are in inches unless otherwise indicated.

"STRAIGHT TRACK ONLY"

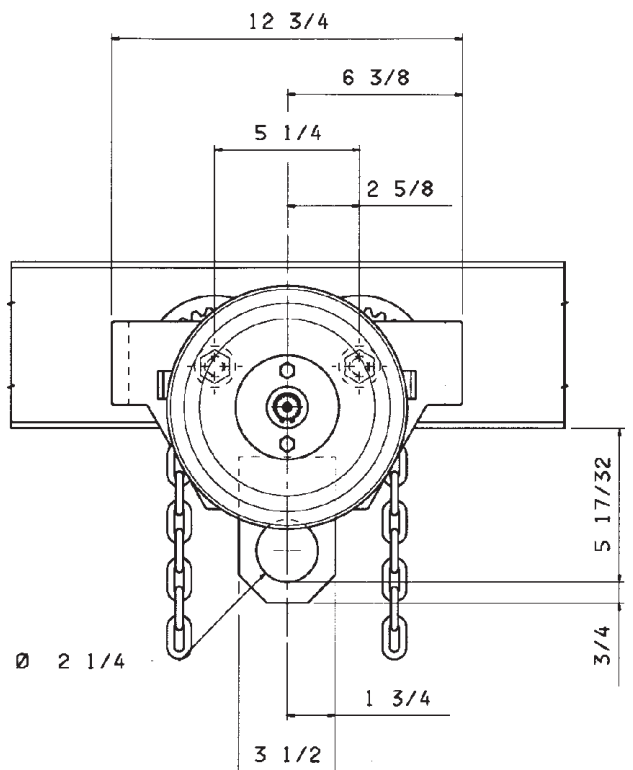
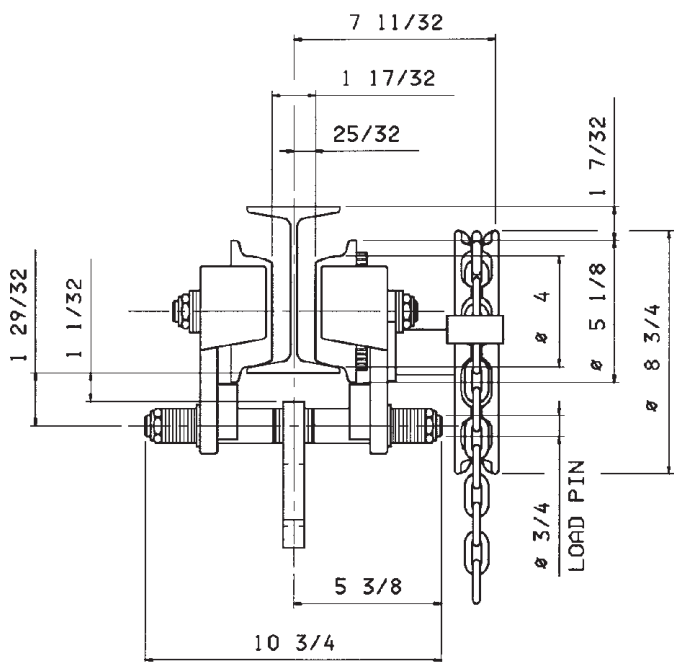
Articulating models for 4-Ft. minimum radius curved track available, consult factory.

NOTE: For wide flange and patented track applications, consult factory.

CT 1/4 - 2 Ton Geared Trolleys

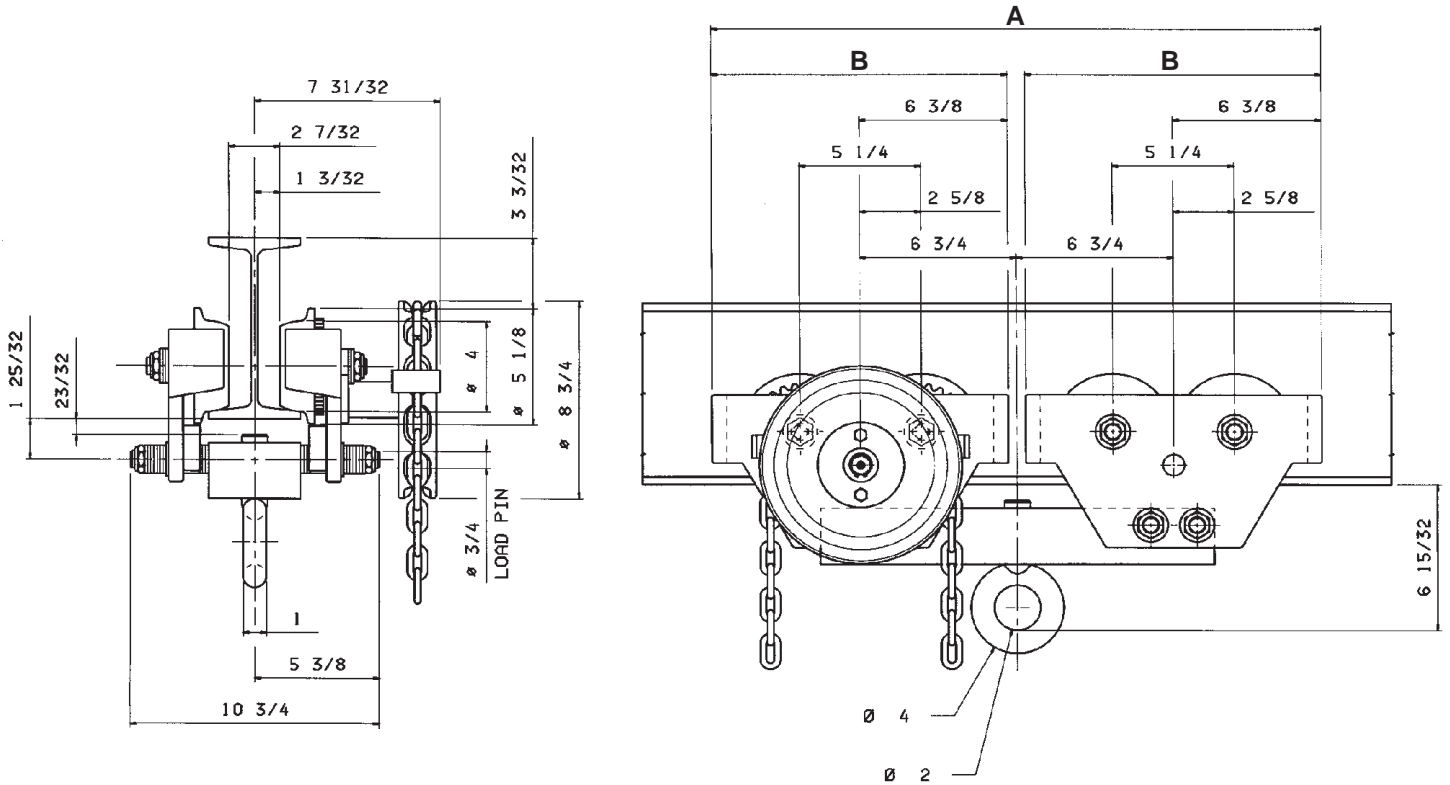


CT 3 Ton Geared Trolley



All dimensions are based on 6" x 12.5# American Standard I-beam
4 Ft. Minimum Radius

CT 4 & 5 Ton Geared Trolleys



Specifications and Dimensions

Rated Load (Lbs.)	Beam Height (In.)	Flange Width (In.)	Weight (Lbs.)	Model Number*	A	B
8000	8 - 18	4.00 - 6.00	130	CT-80-G	26	12 ¹ / ₂
10000	8 - 18	4.00 - 6.00	160	CT-100-G	26 ¹ / ₄	12 ³ / ₄

All dimensions are based on 8" @ 18.4# American Standard I-beam.

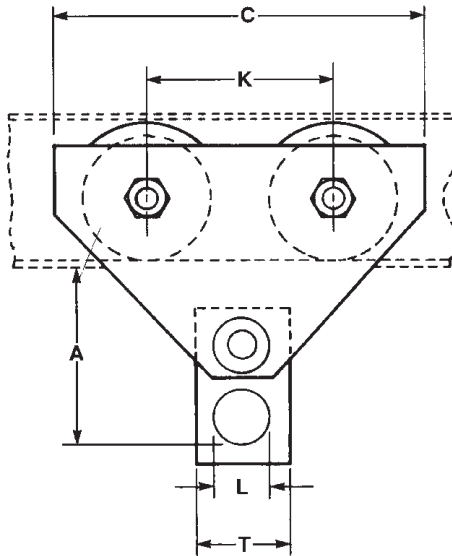
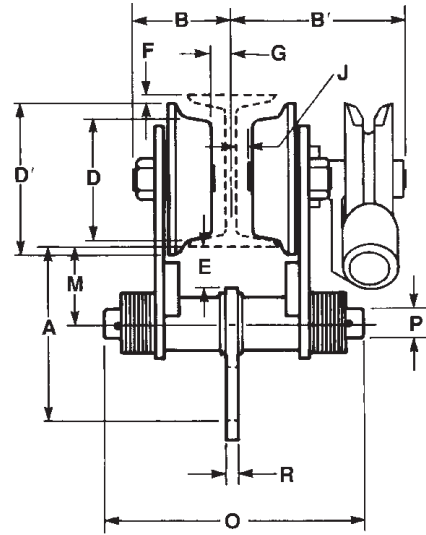
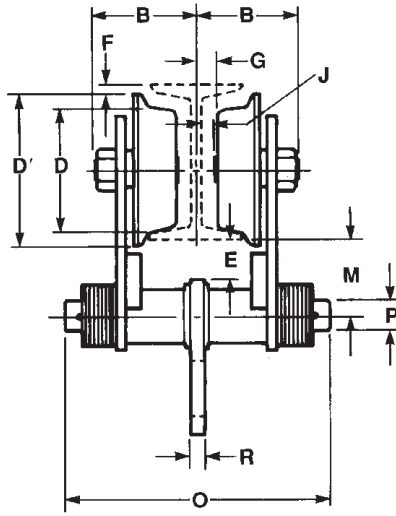
All dimensions are in inches unless otherwise indicated.

"STRAIGHT TRACK ONLY"

Articulating models for 4-Ft. minimum radius curved track available, consult factory.

NOTE: For wide flange and patented track applications, consult factory.

CY 4 - 40 Ton Plain Trolleys



Model Number	Radius	Beam Size
CY-80-P(G)	60	8 - 24
CY-100-P(G)	60	8 - 24
CY-120-P(G)	60	8 - 24
CY-160-P(G)	72	10 - 24
CY-200-P(G)	72	10 - 24
CY-240-P(G)	72	10 - 24
CY-320-P(G)	96	18 - 24
CY-400-P(G)	96	18 - 24
CY-500-P(G)	—	24
CY-600-P(G)	—	24
CY-800-P(G)	—	24

Dimensions

Model Number	Rated Load (lbs.)	† A	† B	† B'	C	D	D'	† E	† F	† G	† J	K	L	† M	O	P	R	T
CY-80-P(G)	8000	8 ¹ / ₄	4 ⁷ / ₈	10	16 ³ / ₄	6	7 ³ / ₈	1 ¹ / ₄	1	5 ⁵ / ₈	5 ⁵ / ₈	9	2 ¹ / ₂	3 ⁵ / ₈	12 ¹ / ₄	1 ³ / ₄	7 ⁷ / ₈	5
CY-100-P(G)	10000	9	4 ⁷ / ₈	10	16 ³ / ₄	6	7 ³ / ₈	1 ¹ / ₄	1	5 ⁵ / ₈	5 ⁵ / ₈	9	2 ³ / ₄	3 ⁵ / ₈	12 ¹ / ₄	2	7 ⁷ / ₈	5
CY-120-P(G)	12000	9	4 ⁷ / ₈	10	16 ³ / ₄	6	7 ³ / ₈	1 ¹ / ₄	1	5 ⁵ / ₈	5 ⁵ / ₈	9	2 ³ / ₄	3 ⁵ / ₈	12 ¹ / ₄	2	7 ⁷ / ₈	5
CY-160-P(G)	16000	10 ⁵ / ₈	5 ⁷ / ₈	10 ³ / ₄	21 ¹ / ₂	8	9 ⁷ / ₈	1 ¹ / ₄	3 ³ / ₄	5 ⁵ / ₈	9 ⁹ / ₁₆	11 ⁵ / ₁₆	3 ⁵ / ₈	4 ¹ / ₁₆	13 ¹³ / ₁₆	2 ¹ / ₄	7 ⁷ / ₈	7
CY-200-P(G)	20000	11 ⁷ / ₁₆	5 ⁷ / ₈	10 ³ / ₄	21 ¹ / ₂	8	9 ⁷ / ₈	1 ¹ / ₄	3 ³ / ₄	5 ⁵ / ₈	9 ⁹ / ₁₆	11 ⁵ / ₁₆	4 ¹ / ₄	4 ¹ / ₁₆	13 ¹³ / ₁₆	2 ¹ / ₂	7 ⁷ / ₈	7
CY-240-P(G)	24000	11 ⁷ / ₁₆	5 ⁷ / ₈	10 ³ / ₄	21 ¹ / ₂	8	9 ⁷ / ₈	1 ¹ / ₄	3 ³ / ₄	5 ⁵ / ₈	9 ⁹ / ₁₆	11 ⁵ / ₁₆	4 ¹ / ₄	4 ¹ / ₁₆	13 ¹³ / ₁₆	2 ¹ / ₂	1	7
CY-320-P(G)	32000	16 ¹ / ₄	7 ⁹ / ₁₆	11 ¹¹ / ₁₆	26 ³ / ₄	10	12 ³ / ₈	1 ⁵ / ₈	6 ³ / ₁₆	7 ⁷ / ₈	7 ⁷ / ₈	13 ⁴³ / ₆₄	5 ¹ / ₄	5 ⁵ / ₈	15 ¹ / ₂	3 ³ / ₈	1 ¹ / ₄	10
CY-400-P(G)	40000	17 ³ / ₈	7 ⁹ / ₁₆	11 ¹¹ / ₁₆	26 ³ / ₄	10	12 ³ / ₈	1 ³ / ₈	6 ³ / ₁₆	7 ⁷ / ₈	7 ⁷ / ₈	13 ⁴³ / ₆₄	5 ¹ / ₂	5 ⁵ / ₈	15 ¹ / ₂	3 ³ / ₈	1 ¹ / ₄	10
CY-500-P(G)	50000	15 ³ / ₁₆	6 ¹¹ / ₃₂	11 ⁷ / ₃₂	46 ¹ / ₄	8	9 ⁷ / ₈	1 ³ / ₁₆	14 ³ / ₁₆	11 ¹¹ / ₁₆	15 ⁵ / ₈	24 ³ / ₄	6	2	13 ¹³ / ₁₆	2 ¹ / ₂	1 ³ / ₄	13
CY-600-P(G)	60000	20 ⁵ / ₈	8 ¹ / ₁₆	12 ³ / ₁₆	56 ³ / ₄	10	12 ³ / ₈	1 ¹ / ₈	11 ¹⁵ / ₁₆	15 ¹⁵ / ₁₆	15 ¹⁵ / ₁₆	30	7	3	15 ¹ / ₂	3 ³ / ₈	2	14
CY-800-P(G)	80000	21 ⁵ / ₈	7 ⁹ / ₁₆	11 ¹¹ / ₁₆	56 ³ / ₄	10	12 ³ / ₈	1 ¹ / ₈	11 ¹⁵ / ₁₆	15 ¹⁵ / ₁₆	15 ¹⁵ / ₁₆	30	8	3	15 ¹ / ₂	3 ³ / ₈	2	15

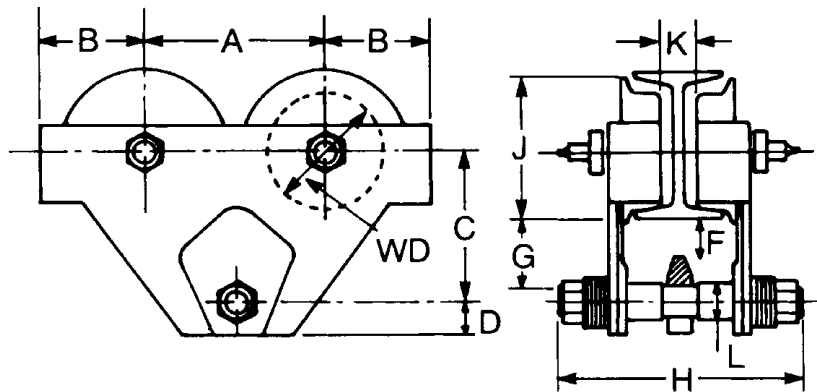
* 25, 30 & 40 ton models are tandem construction eight wheel trolleys.

Note: Where clearance dimensions are critical, request certified print. **NOTE:** All dimensions are in inches unless otherwise indicated.

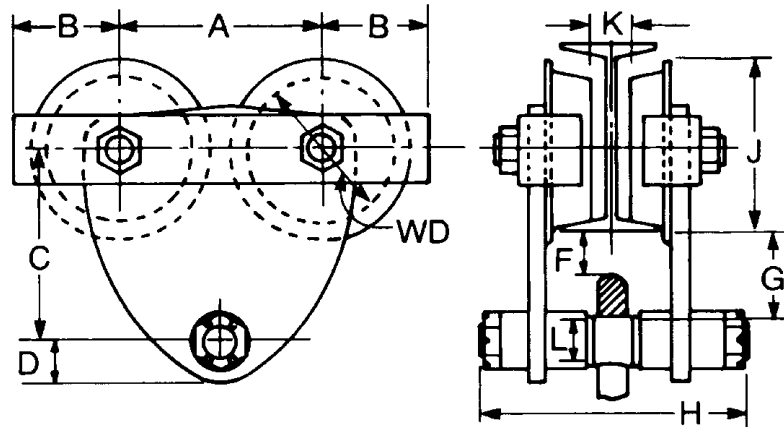
† Dimensions shown are for minimum I-beam size and will vary proportionately for larger beams.

HT Plain Trolley For Hook Mounted Air Hoists 1/4 - 3 Ton

1/4, 1/2, 1 & 2 Ton



3 Ton



Dimensions

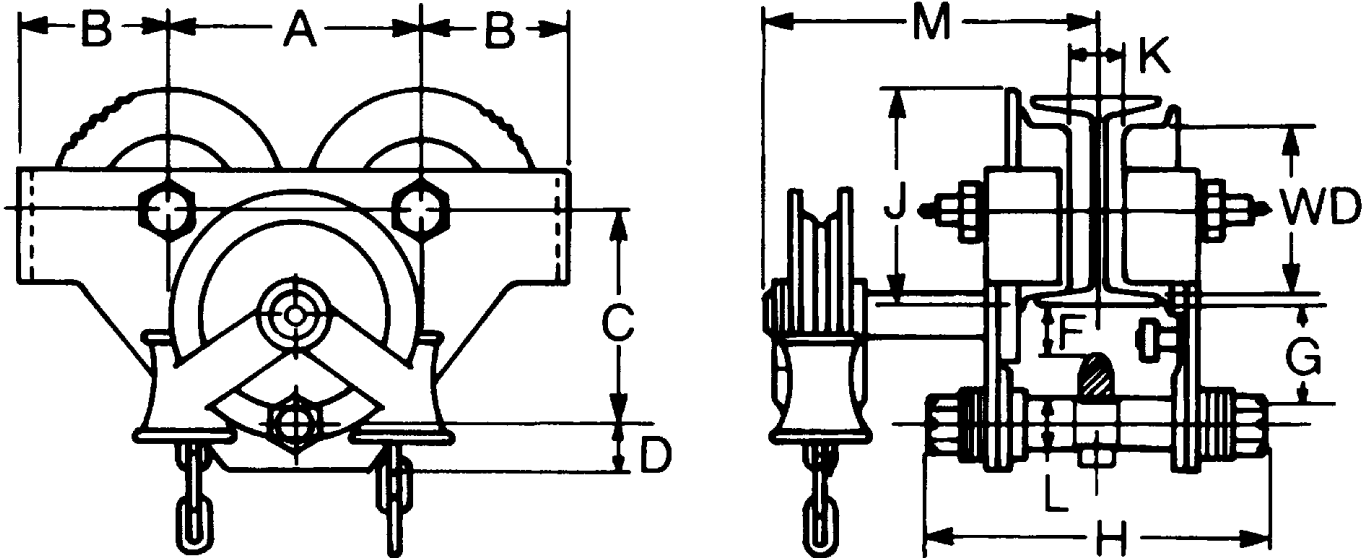
Model Number	Rated Load (Ton)	A	B	C	D	WD	—*Max.—		H	J	**Min.	L
							F	G			K	
HT-05-P	1/4	4 ³ / ₈	2 ¹³ / ₁₆	4 ¹ / ₈	1	3 ¹ / ₈	3/4	1 ¹³ / ₁₆	7 ⁹ / ₁₆	3 ¹⁵ / ₁₆	1 ¹ / ₁₆	7/8
HT-10-P	1/2	4 ³ / ₈	2 ¹³ / ₁₆	4 ¹ / ₈	1	3 ¹ / ₈	3/4	1 ¹³ / ₁₆	7 ⁹ / ₁₆	3 ¹⁵ / ₁₆	1 ¹ / ₁₆	7/8
HT-20-P	1	6 ¹ / ₈	3 ⁹ / ₁₆	5 ¹ / ₈	1 ¹ / ₈	4	1 ¹ / ₁₆	2 ¹ / ₄	8 ¹ / ₄	4 ⁷ / ₈	1 ³ / ₁₆	1
HT-20-WP	1	6 ¹ / ₈	3 ⁹ / ₁₆	5 ¹ / ₈	1 ¹ / ₈	4	1	2 ³ / ₁₆	8 ¹ / ₄	4 ⁷ / ₈	2 ¹³ / ₁₆	1
HT-20-WFP	1	6 ¹ / ₈	3 ⁹ / ₁₆	5 ¹ / ₈	1 ¹ / ₈	4	1	2 ³ / ₁₆	8 ¹ / ₄	4 ⁷ / ₈	4 ¹³ / ₁₆	1
HT-40-P	2	6 ⁷ / ₈	3 ¹³ / ₁₆	5 ³ / ₄	1 ⁵ / ₁₆	4 ¹⁵ / ₁₆	1 ³ / ₁₆	2 ¹ / ₄	8 ³ / ₄	6	3/4	1 ¹ / ₈
HT-40-WP	2	6 ⁷ / ₈	3 ¹³ / ₁₆	5 ³ / ₄	1 ⁵ / ₁₆	4 ¹⁵ / ₁₆	3/4	2 ³ / ₁₆	10 ³ / ₄	6	3 ³ / ₈	1 ¹ / ₄
HT-40-WFP	2	6 ⁷ / ₈	3 ¹³ / ₁₆	5 ³ / ₄	1 ⁵ / ₁₆	4 ¹⁵ / ₁₆	3/4	2 ³ / ₁₆	12 ³ / ₄	6	5 ³ / ₈	1 ¹ / ₄
HT-60-P	3	6 ⁷ / ₈	4 ³ / ₈	6	1 ⁵ / ₈	4 ¹⁵ / ₁₆	9/16	2 ³ / ₈	12	6	1 ¹ / ₄	1 ¹³ / ₃₂
HT-60-WP	3	6 ⁷ / ₈	4 ³ / ₈	6	1 ⁵ / ₈	4 ¹⁵ / ₁₆	9/16	2 ³ / ₈	14 ³ / ₄	6	4 ¹ / ₄	1 ¹³ / ₃₂
HT-60-WFP	3	6 ⁷ / ₈	4 ³ / ₈	6	1 ⁵ / ₈	4 ¹⁵ / ₁₆	9/16	2 ³ / ₈	17 ⁵ / ₈	6	7	1 ¹³ / ₃₂
Spark Resistant Models												
HT-10-S	1/2	4 ³ / ₈	2 ¹³ / ₁₆	4 ¹ / ₈	1	3 ¹ / ₈	3/4	1 ¹³ / ₁₆	7 ⁹ / ₁₆	3 ¹⁵ / ₁₆	1 ¹ / ₁₆	7/8
HT-20-S	1	6 ¹ / ₈	3 ⁹ / ₁₆	5 ¹ / ₈	1 ¹ / ₈	4	1 ¹ / ₁₆	2 ¹ / ₄	8 ¹ / ₄	4 ⁷ / ₈	1 ³ / ₁₆	1
HT-40-S	2	6 ⁷ / ₈	3 ¹³ / ₁₆	5 ³ / ₄	1 ⁵ / ₁₆	4 ¹⁵ / ₁₆	1 ³ / ₁₆	2 ¹ / ₄	8 ³ / ₄	6	3/4	1 ¹ / ₈

NOTE: All dimensions in inches unless otherwise indicated.

* Clearance dimensions **F** and **G** are based on the largest beam on which trolley will operate. Dimension increases slightly for each smaller beam size.

** Dimension **K** occurs on smallest beam size only. On larger beams, it is increased by the difference in flange width.

HT Geared Trolley For Hook Mounted Air Hoists 1 - 3 Ton



Dimensions

Model Number	Rated Load (Ton)	A	B	C	D	WD	—*Max.—		H	J	**Min.	L	M
							F	G			K		
HT-20-G	1	6 ¹ / ₈	3 ⁹ / ₁₆	5 ¹ / ₈	1 ¹ / ₈	4	1 ¹¹ / ₁₆	2 ¹ / ₄	8 ¹ / ₄	5 ¹ / ₂	1 ¹³ / ₁₆	1	10 ³ / ₁₆
HT-20-WG	1	6 ¹ / ₈	3 ⁹ / ₁₆	5 ¹ / ₈	1 ¹ / ₈	4	1	2 ¹ / ₄	8 ¹ / ₄	5 ¹ / ₂	2 ¹³ / ₁₆	1	10 ¹⁵ / ₁₆
HT-20-WFG	1	6 ¹ / ₈	3 ⁹ / ₁₆	5 ¹ / ₈	1 ¹ / ₈	4	1	2 ¹ / ₄	8 ¹ / ₄	5 ¹ / ₂	4 ¹³ / ₁₆	1	11 ¹⁵ / ₁₆
HT-40-G	2	6 ⁷ / ₈	3 ¹³ / ₁₆	5 ³ / ₄	1 ⁵ / ₁₆	4 ¹⁵ / ₁₆	1 ¹³ / ₁₆	2 ¹ / ₄	8 ³ / ₄	6 ⁵ / ₁₆	3 ³ / ₄	1 ¹ / ₈	10 ⁹ / ₁₆
HT-40-WG	2	6 ⁷ / ₈	3 ¹³ / ₁₆	5 ³ / ₄	1 ⁵ / ₁₆	4 ¹⁵ / ₁₆	3 ³ / ₄	2 ³ / ₁₆	10 ³ / ₄	6 ⁵ / ₁₆	3 ³ / ₈	1 ¹ / ₄	11 ⁷ / ₁₆
HT-40-WFG	2	6 ⁷ / ₈	3 ¹³ / ₁₆	5 ³ / ₄	1 ⁵ / ₁₆	4 ¹⁵ / ₁₆	3 ³ / ₄	2 ³ / ₁₆	12 ³ / ₄	6 ⁵ / ₁₆	5 ³ / ₈	1 ¹ / ₄	12 ⁷ / ₁₆
HT-60-G	3	6 ⁷ / ₈	4 ³ / ₈	6	1 ⁵ / ₈	4 ¹⁵ / ₁₆	9 ⁹ / ₁₆	2 ³ / ₈	12	6 ⁵ / ₁₆	1 ¹ / ₄	1 ¹¹ / ₃₂	18 ⁵ / ₁₆
HT-60-WG	3	6 ⁷ / ₈	4 ³ / ₈	6	1 ⁵ / ₈	4 ¹⁵ / ₁₆	9 ⁹ / ₁₆	2 ³ / ₈	14 ³ / ₄	6 ⁵ / ₁₆	4 ¹ / ₄	1 ¹¹ / ₃₂	19 ¹³ / ₁₆
HT-60-WFG	3	6 ⁷ / ₈	4 ³ / ₈	6	1 ⁵ / ₈	4 ¹⁵ / ₁₆	9 ⁹ / ₁₆	2 ³ / ₈	17 ⁵ / ₈	6 ⁵ / ₁₆	7	1 ¹¹ / ₃₂	21 ³ / ₁₆
Spark Resistant Models													
HT-20-SG	1	6 ¹ / ₈	3 ⁹ / ₁₆	5 ¹ / ₈	1 ¹ / ₈	4	1 ¹¹ / ₁₆	2 ¹ / ₄	8 ¹ / ₄	5 ¹ / ₂	1 ¹³ / ₁₆	1	10 ³ / ₁₆
HT-40-SG	2	6 ⁷ / ₈	3 ¹³ / ₁₆	5 ³ / ₄	1 ⁵ / ₁₆	4 ¹⁵ / ₁₆	1 ¹³ / ₁₆	2 ¹ / ₄	8 ³ / ₄	6 ⁵ / ₁₆	3 ³ / ₄	1 ¹ / ₈	10 ⁹ / ₁₆

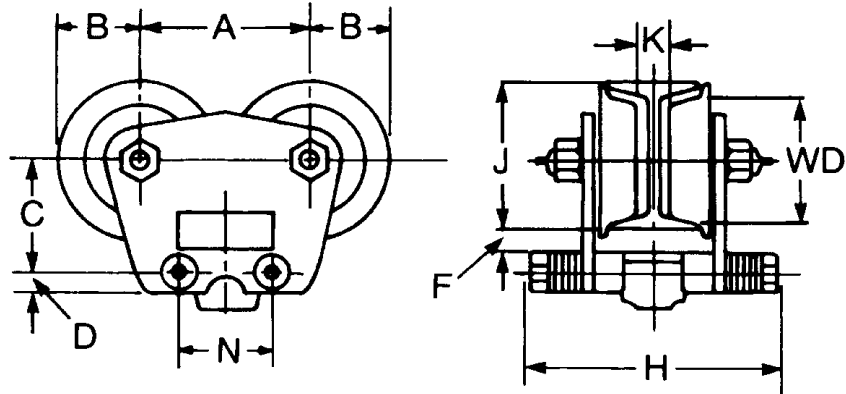
NOTE: All dimensions in inches unless otherwise indicated.

* Clearance dimensions **F** and **G** are based on the largest beam on which trolley will operate. Dimension increases slightly for each smaller beam size.

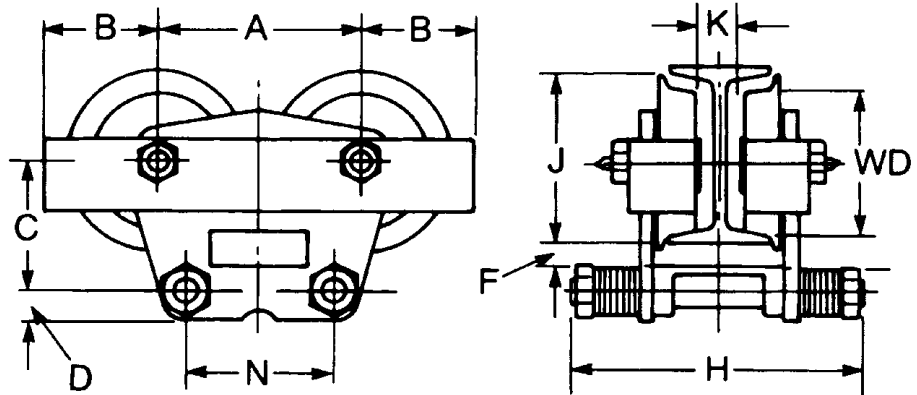
** Dimension **K** occurs on smallest beam size only. On larger beams, it is increased by the difference in flange width.

LT Plain Trolley For Lug Mounted Air Hoists 1/4 - 3 Ton

1/4, 1/2 & 1 Ton



2 & 3 Ton



Dimensions

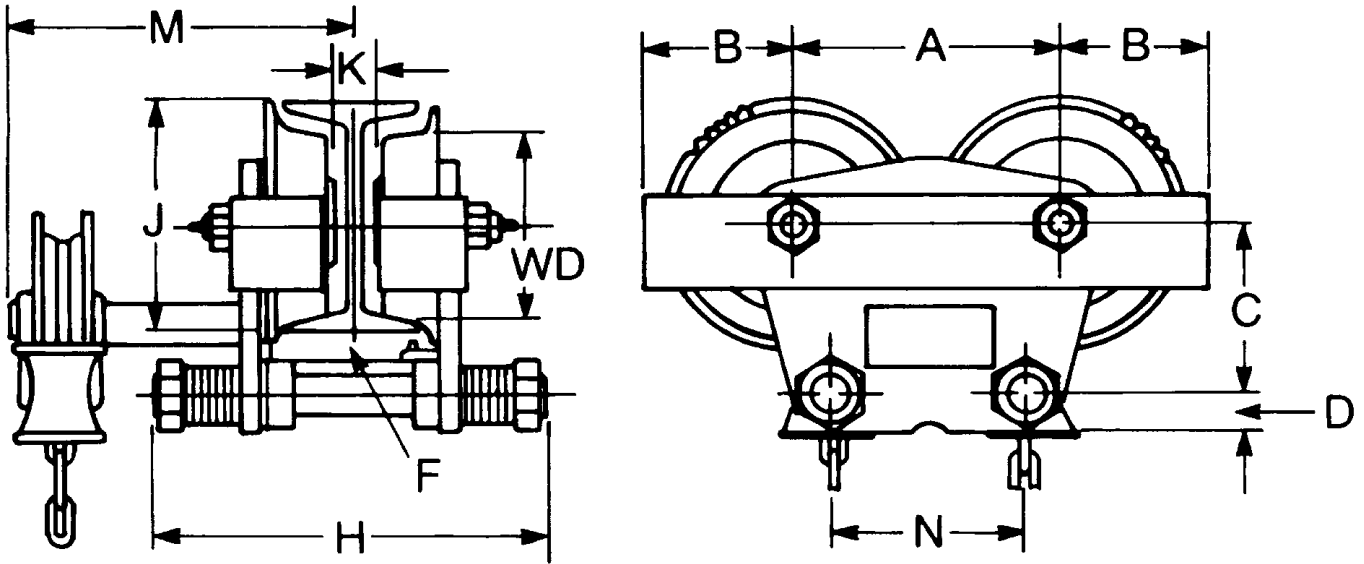
Model Number	Rated Load (Ton)	A	B	C	D	WD	*Min. F	H	J	**Min. K	N
LT-05-P	1/4	4 ³ / ₈	2 ¹ / ₈	3 ³ / ₁₆	1 ¹ / ₁₆	3 ¹ / ₈	5/8	8 ¹ / ₈	3 ¹⁵ / ₁₆	5/8	3 ¹ / ₈
LT-10-P	1/2	4 ³ / ₈	2 ¹ / ₈	3 ³ / ₁₆	1 ¹ / ₁₆	3 ¹ / ₈	5/8	8 ¹ / ₈	3 ¹⁵ / ₁₆	5/8	3 ¹ / ₈
LT-20-P	1	6 ¹ / ₈	2 ¹¹ / ₁₆	3 ²⁷ / ₃₂	1 ¹ / ₁₆	4	5/8	8 ⁷ / ₈	4 ⁷ / ₈	1 ¹ / ₄	3 ¹ / ₈
LT-20-WP	1	6 ¹ / ₈	2 ¹¹ / ₁₆	3 ²⁷ / ₃₂	1 ⁵ / ₁₆	4	5/8	11 ¹ / ₈	4 ⁷ / ₈	3 ¹ / ₂	3 ¹ / ₈
LT-40-P	2	6 ⁷ / ₈	3 ¹³ / ₁₆	4 ⁷ / ₁₆	1	4 ¹⁵ / ₁₆	5/8	10 ¹ / ₈	6	1 ¹ / ₄	5
LT-40-WP	2	6 ⁷ / ₈	3 ¹³ / ₁₆	4 ⁷ / ₁₆	1	4 ¹⁵ / ₁₆	5/8	13	6	4 ¹ / ₄	5
LT-60-P	3	6 ⁷ / ₈	4 ³ / ₈	5 ³ / ₄	1 ³ / ₈	4 ¹⁵ / ₁₆	1 ¹ / ₄	12 ³ / ₄	6	1 ¹ / ₄	6
LT-60-WP	3	6 ⁷ / ₈	4 ³ / ₈	5 ³ / ₄	1 ³ / ₈	4 ¹⁵ / ₁₆	1 ¹ / ₄	15 ³ / ₄	6	4 ¹ / ₄	6
LT-60-WFP	3	6 ⁷ / ₈	4 ³ / ₈	5 ³ / ₄	1 ³ / ₈	4 ¹⁵ / ₁₆	1 ¹ / ₄	17 ⁷ / ₈	6	7	6
Spark Resistant Models											
LT-07-S	3/8	6 ¹ / ₈	2 ¹¹ / ₁₆	3 ³ / ₁₆	1 ¹ / ₁₆	4	5/8	8 ⁷ / ₈	4 ⁷ / ₈	1 ¹ / ₄	3 ¹ / ₈
LT-10-S	1/2	6 ⁷ / ₈	2 ¹¹ / ₁₆	3 ³ / ₁₆	1 ¹ / ₁₆	4	5/8	8 ⁷ / ₈	4 ⁷ / ₈	1 ¹ / ₄	3 ¹ / ₈
LT-15-S	3/4	6 ⁷ / ₈	2 ¹¹ / ₁₆	3 ³ / ₁₆	1 ¹ / ₁₆	4	5/8	8 ⁷ / ₈	4 ⁷ / ₈	1 ¹ / ₄	3 ¹ / ₈
LT-20-S	1	6 ⁷ / ₈	3 ¹³ / ₁₆	4 ⁷ / ₁₆	1	4 ¹⁵ / ₁₆	5/8	10 ¹ / ₈	6	1 ¹ / ₄	5
LT-40-SHD	2	6 ⁷ / ₈	4 ³ / ₈	5 ³ / ₄	1 ³ / ₈	4 ¹⁵ / ₁₆	1 ¹ / ₄	12 ³ / ₄	6	1 ¹ / ₄	6

NOTE: All dimensions in inches unless otherwise indicated.

* Clearance dimensions **F** is based on the largest beam on which trolley will operate. Dimension increases slightly for each smaller beam size.

** Dimension **K** occurs on smallest beam size only. On larger beams, it is increased by the difference in flange width.

LT Geared Trolley For Lug Mounted Air Hoists 1/2 - 3 Ton



Dimensions

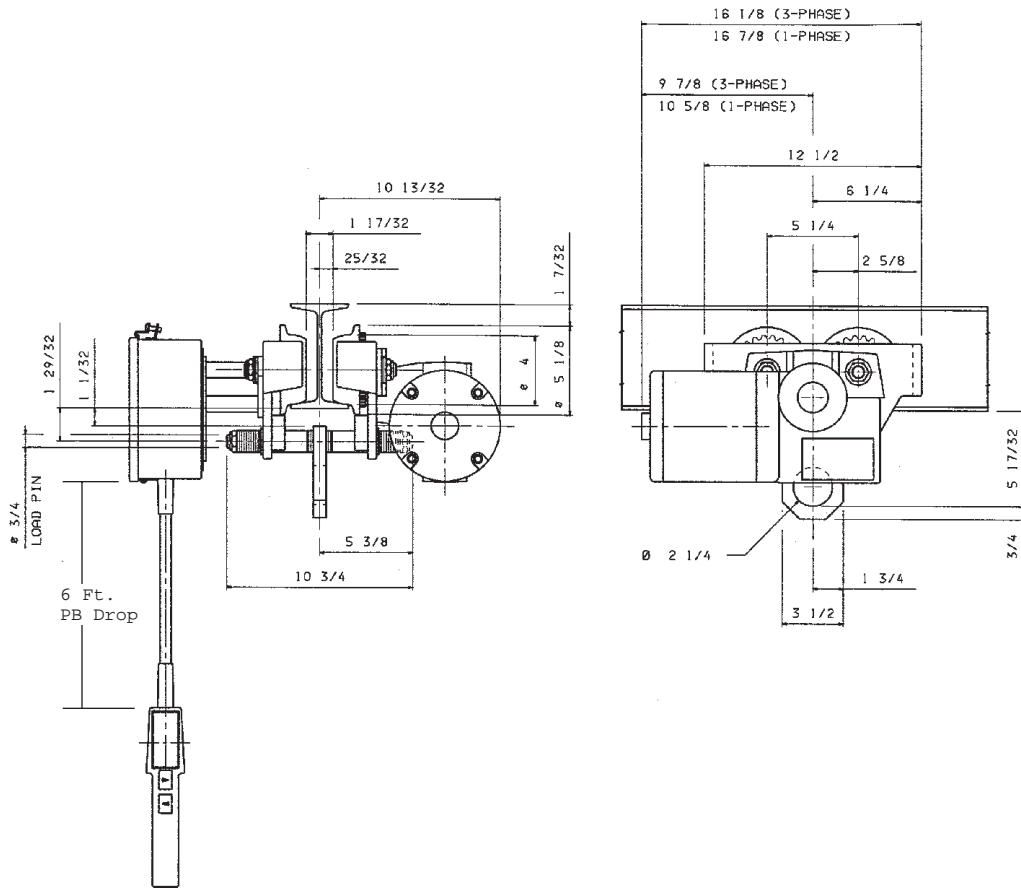
Model Number	Rated Load (Ton)	A	B	C	D	WD	*Min. F	H	Max. J	**Min. K	Max. M	N
LT-20-G	1	6 ¹ / ₈	3 ⁹ / ₁₆	3 ²⁷ / ₃₂	1 ¹ / ₁₆	4	5/8	8 ⁷ / ₈	5 ¹ / ₂	7/8	9 ³ / ₄	3 ¹ / ₈
LT-20-WG	1	6 ¹ / ₈	3 ⁹ / ₁₆	3 ²⁷ / ₃₂	1 ¹ / ₁₆	4	5/8	11 ¹ / ₈	5 ¹ / ₂	3 ¹ / ₂	11 ¹ / ₁₆	3 ¹ / ₈
LT-40-G	2	6 ⁷ / ₈	3 ¹³ / ₁₆	4 ⁷ / ₁₆	1	4 ¹⁵ / ₁₆	5/8	10 ¹ / ₈	6 ⁵ / ₁₆	1 ¹ / ₁₆	10 ¹ / ₄	5
LT-40-WG	2	6 ⁷ / ₈	3 ¹³ / ₁₆	4 ⁷ / ₁₆	1	4 ¹⁵ / ₁₆	5/8	13	6 ⁵ / ₁₆	4 ¹ / ₄	11 ¹³ / ₁₆	5
LT-60-G	3	6 ⁷ / ₈	4 ³ / ₈	5 ³ / ₄	1 ³ / ₈	4 ¹⁵ / ₁₆	1 ¹ / ₄	12 ³ / ₄	6 ⁵ / ₁₆	1 ¹ / ₄	18 ⁵ / ₁₆	6
LT-60-WG	3	6 ⁷ / ₈	4 ³ / ₈	5 ³ / ₄	1 ³ / ₈	4 ¹⁵ / ₁₆	1 ¹ / ₄	15 ³ / ₄	6 ⁵ / ₁₆	4 ¹ / ₄	19 ¹³ / ₁₆	6
LT-60-WFG	3	6 ⁷ / ₈	4 ³ / ₈	5 ³ / ₄	1 ³ / ₈	4 ¹⁵ / ₁₆	1 ¹ / ₄	17 ⁷ / ₈	6 ⁵ / ₁₆	7	21 ³ / ₁₆	6
Spark Resistant Models												
LT-10-SG	1/2	6 ¹ / ₈	3 ⁹ / ₁₆	3 ²⁷ / ₃₂	1 ¹ / ₁₆	4	5/8	8 ⁷ / ₈	5 ¹ / ₂	7/8	9 ³ / ₄	3 ¹ / ₈
LT-15-SG	3/4	6 ¹ / ₈	3 ⁹ / ₁₆	3 ²⁷ / ₃₂	1 ¹ / ₁₆	4	5/8	8 ⁷ / ₈	5 ¹ / ₂	7/8	9 ³ / ₄	3 ¹ / ₈
LT-20-SG	1	6 ⁷ / ₈	3 ¹³ / ₁₆	4 ⁷ / ₁₆	1	4 ¹⁵ / ₁₆	5/8	10 ¹ / ₈	6 ⁵ / ₁₆	1 ¹ / ₁₆	10 ¹ / ₄	5
LT-40-SGHD	2	6 ⁷ / ₈	3 ¹³ / ₁₆	5 ³ / ₄	1 ⁵ / ₁₆	4 ¹⁵ / ₁₆	1 ¹ / ₄	12 ³ / ₄	6 ⁵ / ₁₆	1 ¹ / ₄	18 ⁵ / ₁₆	6

NOTE: All dimensions in inches unless otherwise indicated.

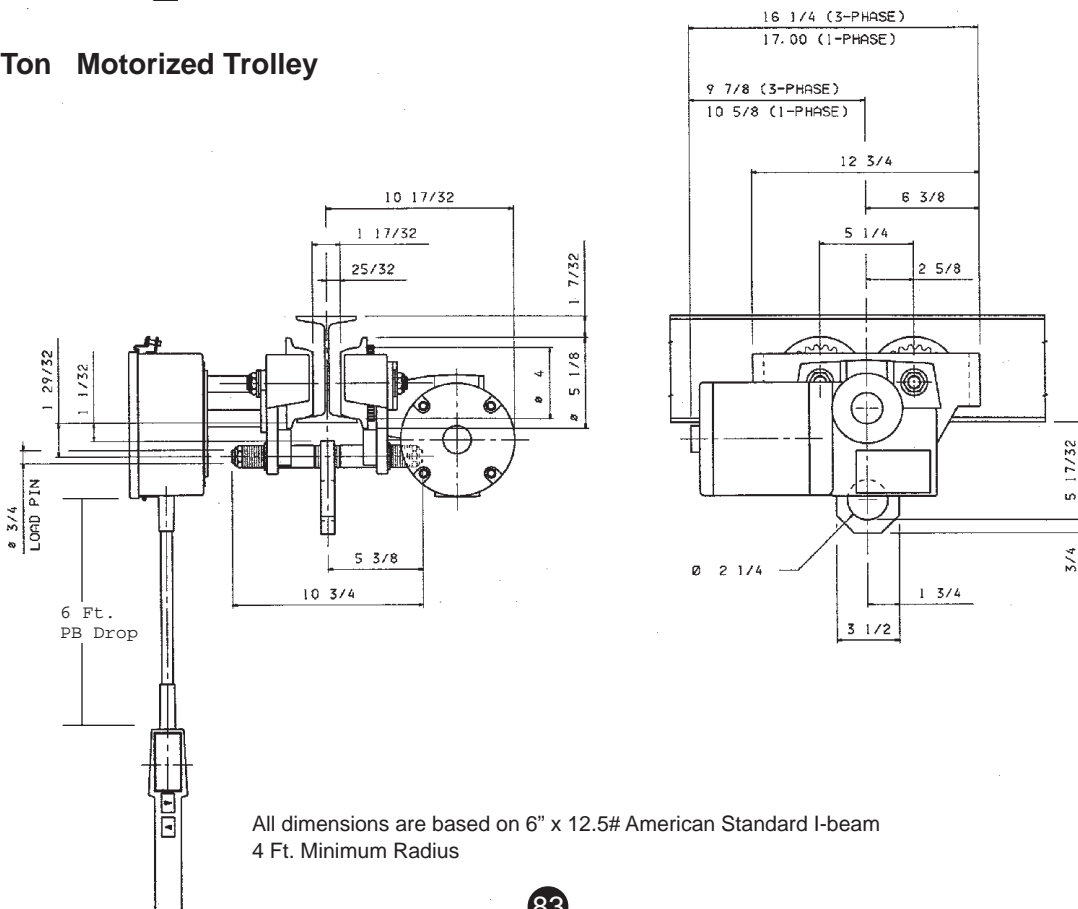
* Clearance dimensions **F** is based on the largest beam on which trolley will operate. Dimension increases slightly for each smaller beam size.

** Dimension **K** occurs on smallest beam size only. On larger beams, it is increased by the difference in flange width.

MT 1/4 - 2 Ton Motorized Trolleys

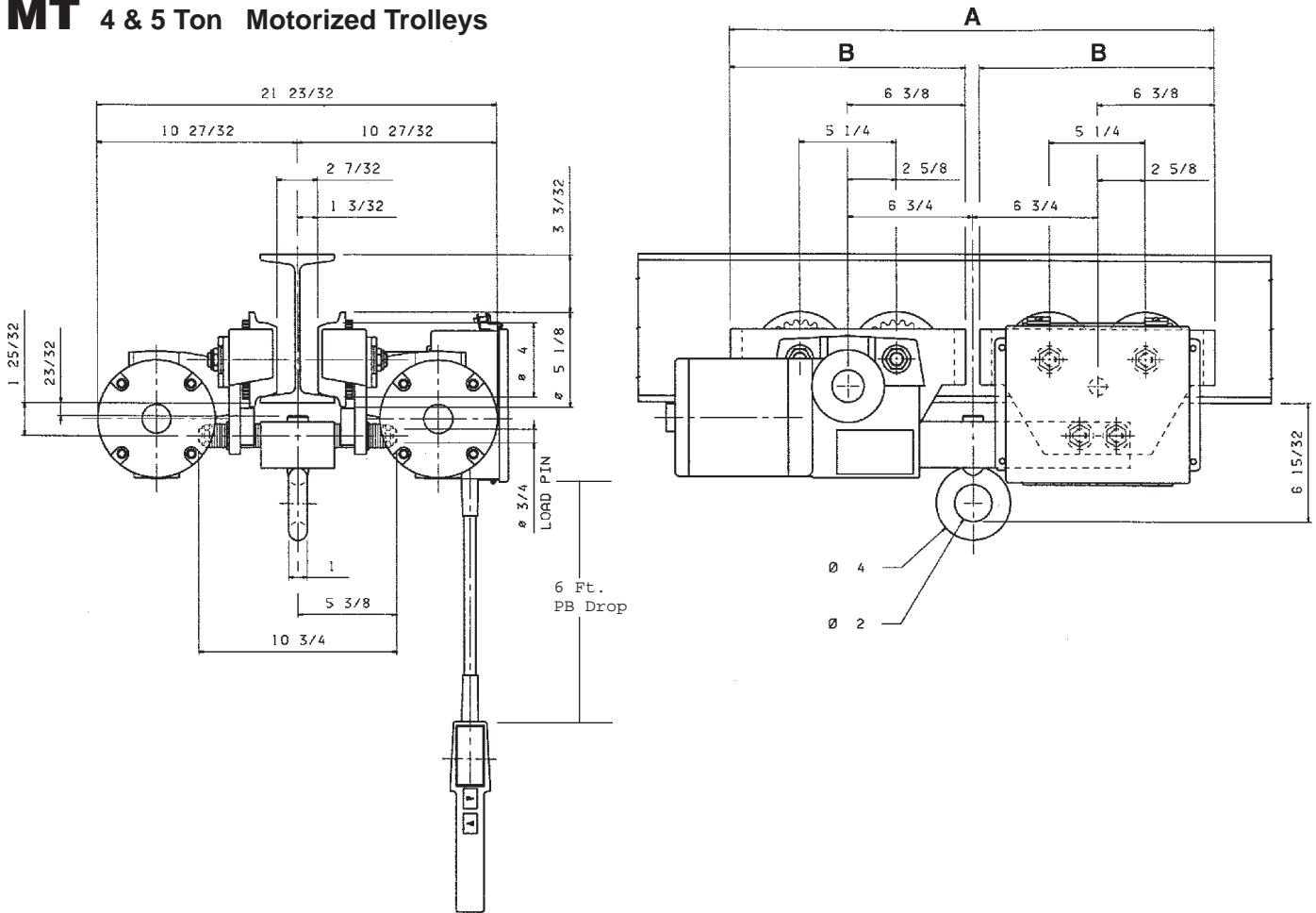


MT 3 Ton Motorized Trolley



All dimensions are based on 6" x 12.5# American Standard I-beam
4 Ft. Minimum Radius

MT 4 & 5 Ton Motorized Trolleys



Specifications and Dimensions

Rated Load (Lbs.)	Beam Height (In.)	Flange Width (In.)	Weight (Lbs.)	Model Number*	A	B
8000	8 - 18	4.00 - 6.00	220	MT-80035	26	12 ¹ / ₂
8000	8 - 18	4.00 - 6.00	220	MT-80075	26	12 ¹ / ₂
10000	8 - 18	4.00 - 6.00	225	MT-100035	26 ¹ / ₄	12 ³ / ₄
10000	8 - 18	4.00 - 6.00	225	MT-100075	26 ¹ / ₄	12 ³ / ₄

All dimensions are based on 8" @ 18.4# American Standard I-beam.

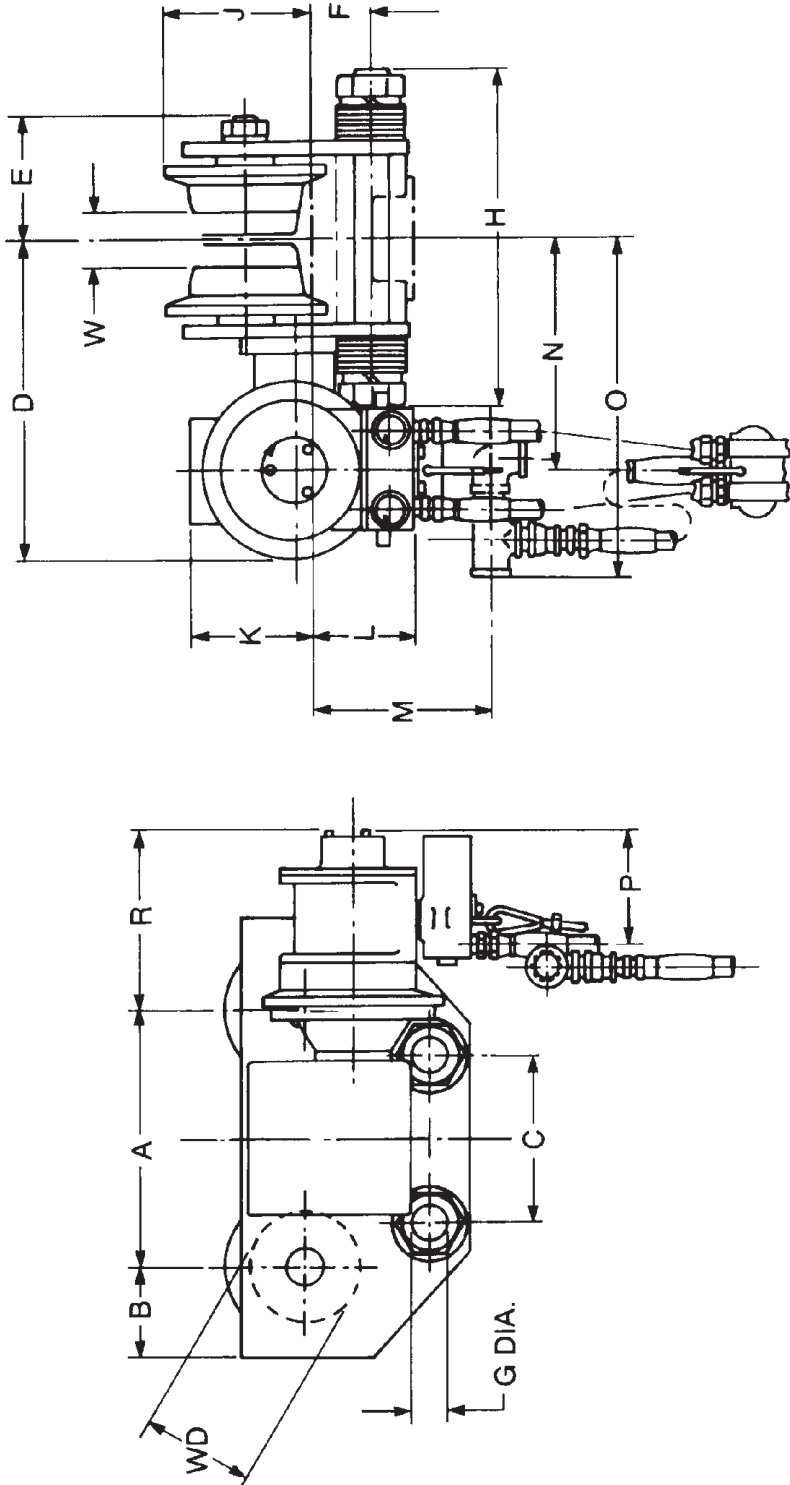
All dimensions are in inches unless otherwise indicated.

"STRAIGHT TRACK ONLY"

Articulating models for 4-Ft. minimum radius curved track available, consult factory.

NOTE: For wide flange and patented track applications, consult factory.

AMT Air Powered Trolley For Lug Mounted Air Hoists 1/4 - 3 Ton

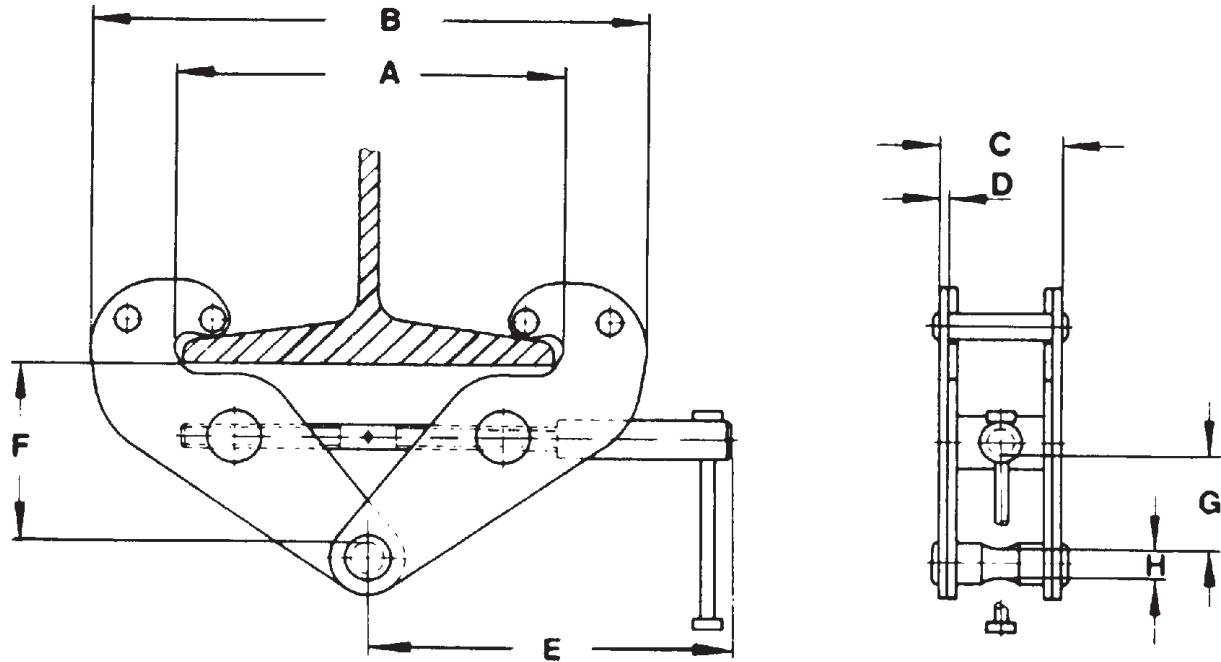


Dimensions

Model Number	Rated Load (Ton)	A		B		C		D		E		F		G		H		J		K		L		M		N		O		P		R		W		WD						
		Max.	Min.	Max.	Min.	Max.	Min.	Max.	Min.	Max.	Min.	Max.	Min.	Max.	Min.	Max.	Min.	Max.	Min.	Max.	Min.	Max.	Min.	Max.	Min.	Max.	Min.	Max.	Min.	Max.	Min.	Max.	Min.	Max.								
AMT-0550	1/4	7 ⁵ / ₈	3	3 ¹ / ₈	11 ⁹ / ₁₆	4 ¹ / ₂	17 ¹ / ₁₆	5 ¹ / ₈	87 ¹ / ₈	5 ¹ / ₈	4 ¹¹ / ₁₆	3 ¹¹ / ₁₆	6 ¹ / ₁₆	85 ¹ / ₁₆	11 ⁷ / ₈	41 ¹ / ₈	73 ³ / ₈	1 ¹ / ₂	4																							
AMT-1050	1/2	7 ⁵ / ₈	3	3 ¹ / ₈	11 ⁹ / ₁₆	4 ¹ / ₂	17 ¹ / ₁₆	5 ¹ / ₈	87 ¹ / ₈	5 ¹ / ₈	4 ¹¹ / ₁₆	3 ¹¹ / ₁₆	6 ¹ / ₁₆	85 ¹ / ₁₆	11 ⁷ / ₈	41 ¹ / ₈	73 ³ / ₈	1 ¹ / ₂	4																							
AMT-2050	1	7 ⁵ / ₈	3	3 ¹ / ₈	11 ⁹ / ₁₆	4 ¹ / ₂	17 ¹ / ₁₆	5 ¹ / ₈	87 ¹ / ₈	5 ¹ / ₈	4 ¹¹ / ₁₆	3 ¹¹ / ₁₆	6 ¹ / ₁₆	85 ¹ / ₁₆	11 ⁷ / ₈	41 ¹ / ₈	73 ³ / ₈	1 ¹ / ₂	4																							
AMT-4060	2	9 ¹ / ₈	3	5	12 ¹ / ₁₆	5	15 ¹ / ₈	1	9 ¹ / ₂	5 ³ / ₁₆	4 ³ / ₄	3 ⁵ / ₈	6	8 ¹³ / ₁₆	11 ⁷ / ₈	41 ¹ / ₈	65 ¹ / ₈	1 ¹ / ₁₆	4																							
AMT-6060	3	9 ¹ / ₈	3 ¹ / ₄	6	12 ¹ / ₂	5	17 ¹ / ₈	1 ¹ / ₄	12	5 ⁵ / ₈	4 ⁷ / ₈	3 ¹ / ₂	5 ⁷ / ₈	9 ¹ / ₄	11 ⁷ / ₈	41 ¹ / ₈	65 ¹ / ₈	1 ³ / ₈	4																							
Spark Resistant Models																																										
AMT-0750-S	3/8	7 ⁵ / ₈	3	3 ¹ / ₈	11 ⁹ / ₁₆	4 ¹ / ₂	11 ¹ / ₁₆	5 ¹ / ₈	87 ¹ / ₈	5 ¹ / ₈	4 ¹¹ / ₁₆	3 ¹¹ / ₁₆	6 ¹ / ₁₆	85 ¹ / ₁₆	11 ⁷ / ₈	41 ¹ / ₈	73 ³ / ₈	1 ¹ / ₂	4																							
AMT-1050-S	1/2	7 ⁵ / ₈	3	3 ¹ / ₈	11 ⁹ / ₁₆	4 ¹ / ₂	11 ¹ / ₁₆	5 ¹ / ₈	87 ¹ / ₈	5 ¹ / ₈	4 ¹¹ / ₁₆	3 ¹¹ / ₁₆	6 ¹ / ₁₆	85 ¹ / ₁₆	11 ⁷ / ₈	41 ¹ / ₈	73 ³ / ₈	1 ¹ / ₂	4																							
AMT-1550-S	3/4	7 ⁵ / ₈	3	3 ¹ / ₈	11 ⁹ / ₁₆	4 ¹ / ₂	11 ¹ / ₁₆	5 ¹ / ₈	87 ¹ / ₈	5 ¹ / ₈	4 ¹¹ / ₁₆	3 ¹¹ / ₁₆	6 ¹ / ₁₆	85 ¹ / ₁₆	11 ⁷ / ₈	41 ¹ / ₈	73 ³ / ₈	1 ¹ / ₂	4																							
AMT-2060-S	1	9 ¹ / ₈	3	5	12 ¹ / ₁₆	5	15 ¹ / ₈	1	9 ¹ / ₂	5 ³ / ₁₆	4 ³ / ₄	3 ⁵ / ₈	6	8 ¹³ / ₁₆	11 ⁷ / ₈	41 ¹ / ₈	65 ¹ / ₈	1 ¹ / ₁₆	4																							
AMT-4060-S	2	9 ¹ / ₈	3	5	12 ¹ / ₁₆	5	15 ¹ / ₈	1	9 ¹ / ₂	5 ³ / ₁₆	4 ³ / ₄	3 ⁵ / ₈	6	8 ¹³ / ₁₆	11 ⁷ / ₈	41 ¹ / ₈	65 ¹ / ₈	1 ¹ / ₁₆	4																							

NOTE: All dimensions in inches unless otherwise indicated.

BC 1 - 10 Ton Beam Clamps



Specifications

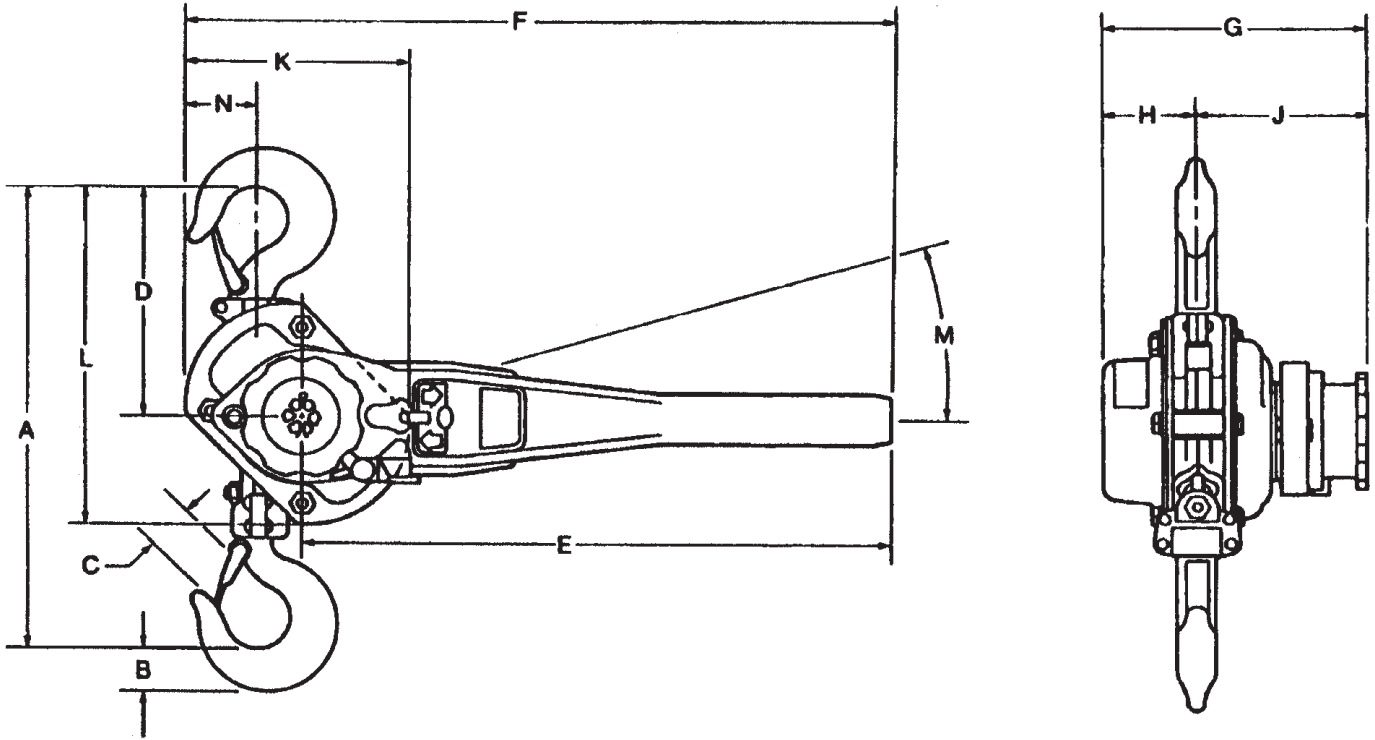
Model Number	Rated Load (Lbs.)	Flange Width (Ins.)	Net Weight (Lbs.)
BC-1	2000	3-9	8.8
BC-2	4000	3-9	13.2
BC-3	6000	3.2 - 12.6	17.6
BC-5	10000	3.6 - 12.2	22.0
BC-10	20000	3.6 - 12.6	32.0

Dimensions

Model Number	A Max.	B		C (In.)	D (In.)	E (In.)	F		G Min.	H
		Min.	Max.				Max.	Min.		
BC-1	10.6	6.9	14.4	2.9	0.2	8.4	5.4	2.9	1.2	.80
BC-2	10.6	7.3	15.0	2.9	0.2	8.4	5.4	2.9	1.2	.80
BC-3	11.6	8.7	16.7	4.0	0.3	10.0	6.3	4.1	2.4	.87
BC-5	12.6	9.8	18.7	4.0	0.3	10.0	6.3	3.5	1.8	1.10
BC-10	12.6	10.5	18.9	4.6	0.47	10.8	7.2	5.2	2.6	1.50

All dimensions are in inches unless otherwise indicated.

LSB-A 3/4 - 6 Ton

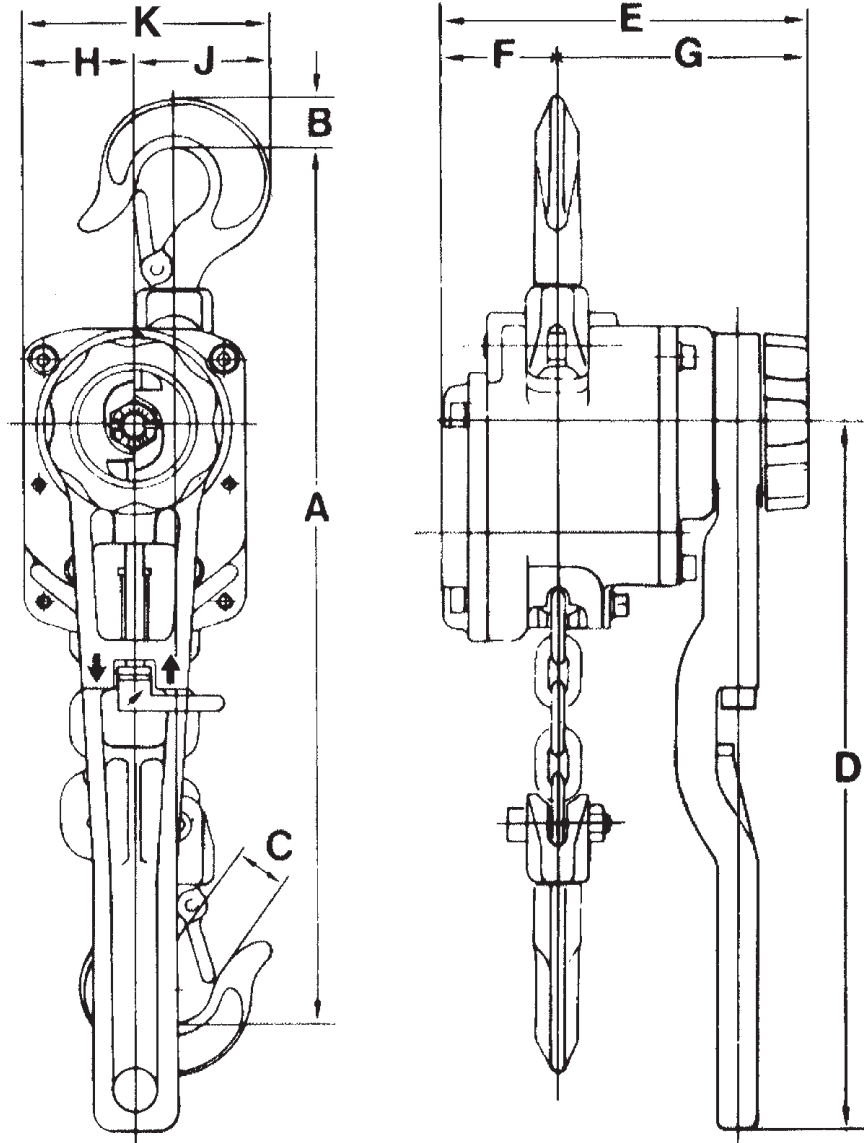


Dimensions

Model No.	Rated Load (Lbs.)	A	B	C	D	E	F	G	H	J	L	M	N	No. of Load Chains
LSB1500A	1500	11 ⁵ / ₈	1 ³ / ₁₆	1 ⁵ / ₁₆	5 ⁷ / ₁₆	9 ¹ / ₄	11 ⁷ / ₁₆	5 ⁹ / ₁₆	2 ¹ / ₈	3 ⁷ / ₁₆	7 ³ / ₄	9	1 ⁵ / ₁₆	1
LSB3000A	3000	14 ³¹ / ₃₂	1 ¹ / ₁₆	1 ¹ / ₄	6 ¹³ / ₁₆	13 ³ / ₄	16 ⁷ / ₃₂	6 ⁵ / ₈	2 ⁵ / ₈	4	9 ⁷ / ₁₆	9	1 ³ / ₈	1
LSB6000A	6000	16 ⁹ / ₁₆	1 ³ / ₈	7 ¹ / ₂	13 ³ / ₄	17 ³ / ₁₆	7 ¹ / ₄	3 ¹ / ₈	4 ¹ / ₈	10 ¹¹ / ₁₆	9	2 ³ / ₈	1	1
LSB12000A	12000	22 ⁷ / ₁₆	2 ¹ / ₁₆	1 ³ / ₄	9 ¹¹ / ₁₆	13 ³ / ₄	19 ¹ / ₂	7 ¹ / ₄	3 ¹ / ₈	4 ¹ / ₈	12 ¹⁵ / ₁₆	9	2 ³ / ₄	2

All dimensions are in inches unless otherwise indicated.

PA ^{3/4} - 3 Ton

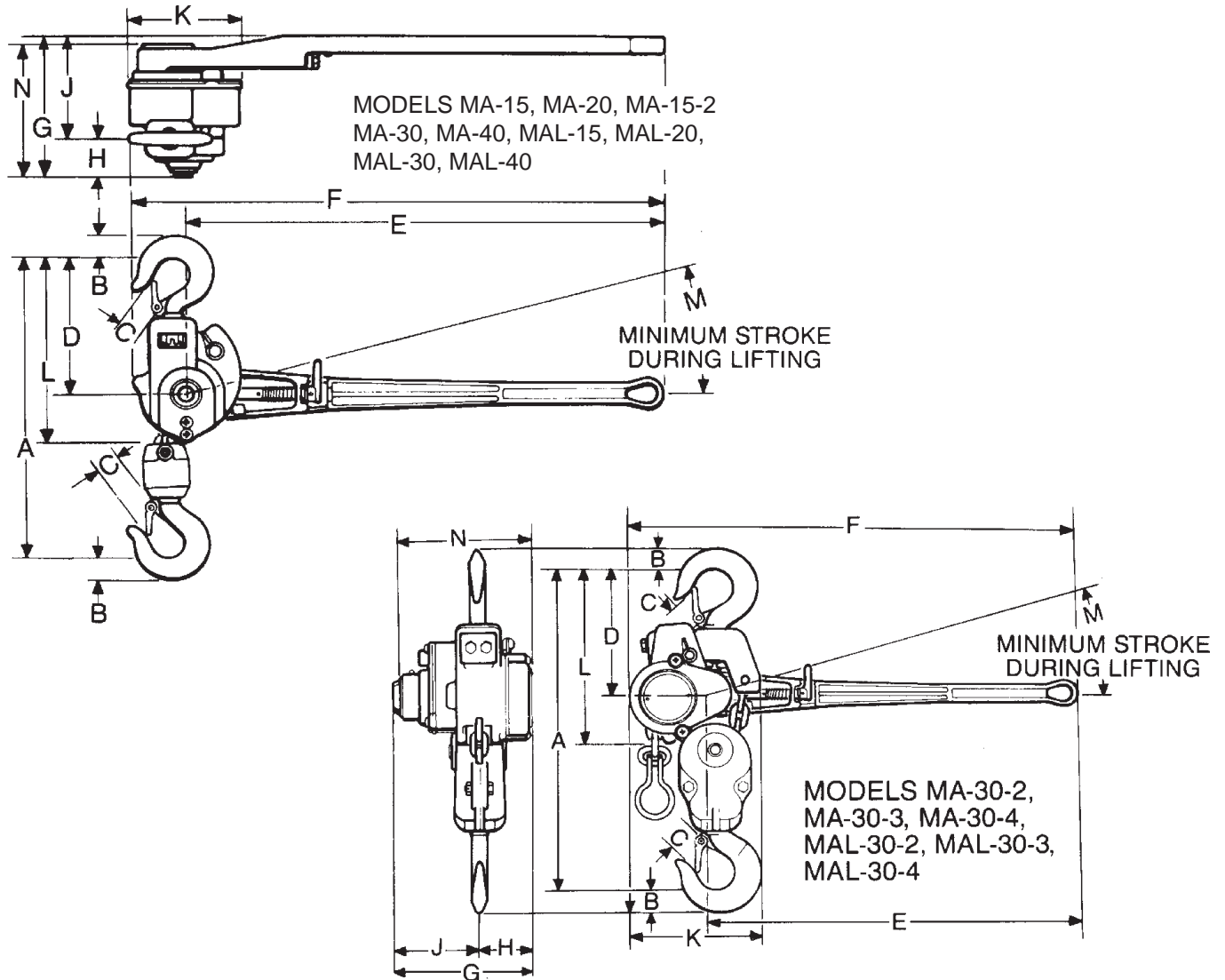


Dimensions

Model Number	Rated Load (Ton)	A	B	C	D	E	F	G	H	J	K
PA-1500	³ / ₄	12	¹³ / ₁₆	³ / ₄	12	6 ¹ / ₄	2	4 ¹ / ₄	1 ⁷ / ₈	2 ¹ / ₄	4 ¹ / ₈
PA-2000	1	13	1	1	12	6 ¹ / ₄	2	4 ¹ / ₄	1 ⁷ / ₈	2 ⁵ / ₈	4 ¹ / ₂
PA-3000	1 ¹ / ₂	14 ¹ / ₂	¹³ / ₁₆	1 ¹ / ₈	12	7	3	4 ¹ / ₄	2 ³ / ₈	3 ¹ / ₄	5 ⁵ / ₈
PA-6000	3	17 ¹ / ₂	¹³ / ₈	¹³ / ₈	16	8 ¹ / ₂	3 ³ / ₄	4 ¹ / ₄	3	3 ³ / ₄	6 ³ / ₄

All dimensions are in inches unless otherwise indicated.

MA MAL 3/4 - 6 Ton



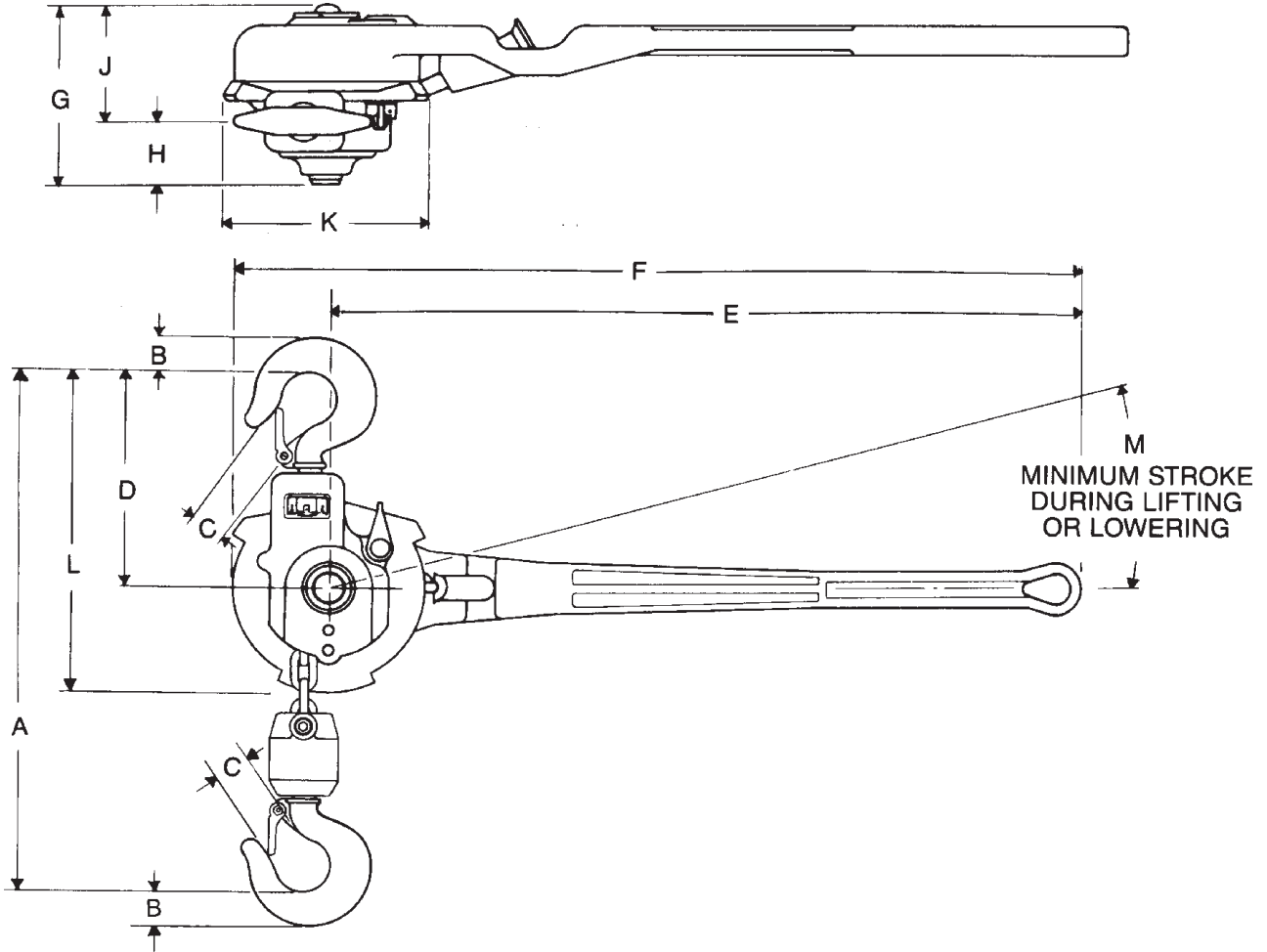
Dimensions

Model Number	Rated Load		A	B	C*	D	E	F	G	H	J	K	L	M	N
	(Lbs.)	(Ton)													
MA-15	1500	3/4	12 ⁷ / ₈	1	1	6 ¹ / ₈	20 ¹ / ₂	22 ⁷ / ₈	6 ¹ / ₈	15 ⁵ / ₈	4 ¹ / ₂	4 ⁵ / ₈	8 ¹ / ₂	15°	5 ⁷ / ₈
MA-20	2000	3/4	12 ⁷ / ₈	1	1	6 ¹ / ₈	20 ¹ / ₂	22 ⁷ / ₈	6 ¹ / ₈	15 ⁵ / ₈	4 ¹ / ₂	4 ⁵ / ₈	8 ¹ / ₂	15°	5 ⁷ / ₈
MA-15-2	3000	1 ¹ / ₂	17	1	1	7 ¹ / ₄	20 ¹ / ₂	23 ⁵ / ₈	6 ¹ / ₈	15 ⁵ / ₈	4 ¹ / ₂	5 ⁵ / ₈	9 ³ / ₄	15°	5 ⁷ / ₈
MA-30	3000	1 ¹ / ₂	15	1 ¹ / ₈	1 ¹ / ₈	7 ³ / ₈	20 ¹ / ₂	24 ³ / ₄	7 ¹ / ₂	27 ⁷ / ₈	4 ⁵ / ₈	6 ¹ / ₄	9 ⁷ / ₈	15°	7 ³ / ₁₆
MA-40	4000	1 ¹ / ₂	15	1 ¹ / ₈	1 ¹ / ₈	7 ³ / ₈	20 ¹ / ₂	24 ³ / ₄	7 ¹ / ₂	27 ⁷ / ₈	4 ⁵ / ₈	6 ¹ / ₄	9 ⁷ / ₈	15°	7 ³ / ₁₆
MA-30-2	6000	2	18 ³ / ₄	17 ¹ / ₁₆	11 ¹ / ₁₆	7 ⁷ / ₁₆	20 ¹ / ₂	24 ³ / ₄	7 ¹ / ₂	27 ⁷ / ₈	4 ⁵ / ₈	7 ¹ / ₄	10 ³ / ₁₆	15°	7 ³ / ₁₆
MA-30-3	9000	4 ¹ / ₂	23 ¹ / ₈	11 ³ / ₁₆	11 ¹ / ₁₆	8 ⁵ / ₁₆	20 ¹ / ₂	24 ³ / ₄	7 ¹ / ₂	27 ⁷ / ₈	4 ⁵ / ₈	8 ¹ / ₈	11 ¹ / ₁₆	15°	7 ³ / ₁₆
MA-30-4	12000	6	22	11 ³ / ₁₆	11 ¹ / ₁₆	8 ¹ / ₂	20 ¹ / ₂	24 ³ / ₄	7 ¹ / ₂	27 ⁷ / ₈	4 ⁵ / ₈	9 ³ / ₄	11	15°	7 ³ / ₁₆
MAL-15	1500	3/4	12 ⁷ / ₈	1	1	6 ¹ / ₈	20 ¹ / ₂	22 ⁷ / ₈	7	15 ⁵ / ₈	5 ³ / ₈	4 ⁵ / ₈	8 ¹ / ₂	15°	7
MAL-20	2000	3/4	12 ⁷ / ₈	1	1	6 ¹ / ₈	20 ¹ / ₂	22 ⁷ / ₈	7	15 ⁵ / ₈	5 ³ / ₈	4 ⁵ / ₈	8 ¹ / ₂	15°	7
MAL-30	3000	1 ¹ / ₂	15	1 ¹ / ₈	1 ¹ / ₈	7 ³ / ₈	20 ¹ / ₂	24 ³ / ₄	8 ³ / ₈	27 ⁷ / ₈	5 ¹ / ₂	6 ¹ / ₄	9 ⁷ / ₈	15°	8 ⁵ / ₁₆
MAL-40	4000	1 ¹ / ₂	15	1 ¹ / ₈	1 ¹ / ₈	7 ³ / ₈	20 ¹ / ₂	24 ³ / ₄	8 ³ / ₈	27 ⁷ / ₈	5 ¹ / ₂	6 ¹ / ₄	9 ⁷ / ₈	15°	8 ⁵ / ₁₆
MAL-30-2	6000	2	18 ³ / ₄	17 ¹ / ₁₆	11 ¹ / ₁₆	7 ⁷ / ₁₆	20 ¹ / ₂	24 ³ / ₄	8 ³ / ₈	27 ⁷ / ₈	5 ¹ / ₂	7 ¹ / ₄	10 ³ / ₁₆	15°	8 ⁵ / ₁₆
MAL-30-3	9000	4 ¹ / ₂	23 ¹ / ₈	11 ³ / ₁₆	11 ¹ / ₁₆	8 ⁵ / ₁₆	20 ¹ / ₂	24 ³ / ₄	8 ³ / ₈	27 ⁷ / ₈	5 ¹ / ₂	8 ¹ / ₈	11 ¹ / ₁₆	15°	8 ⁵ / ₁₆
MAL-30-4	12000	6	22	11 ³ / ₁₆	11 ¹ / ₁₆	8 ¹ / ₂	20 ¹ / ₂	24 ³ / ₄	8 ³ / ₈	27 ⁷ / ₈	5 ¹ / ₂	9 ³ / ₄	11	15°	8 ⁵ / ₁₆

* Hook throat opening with latch.

Note: Where clearance dimensions are critical, request certified print.
All dimensions are in inches unless otherwise indicated.

RA 3/4 - 6 Ton



Dimensions

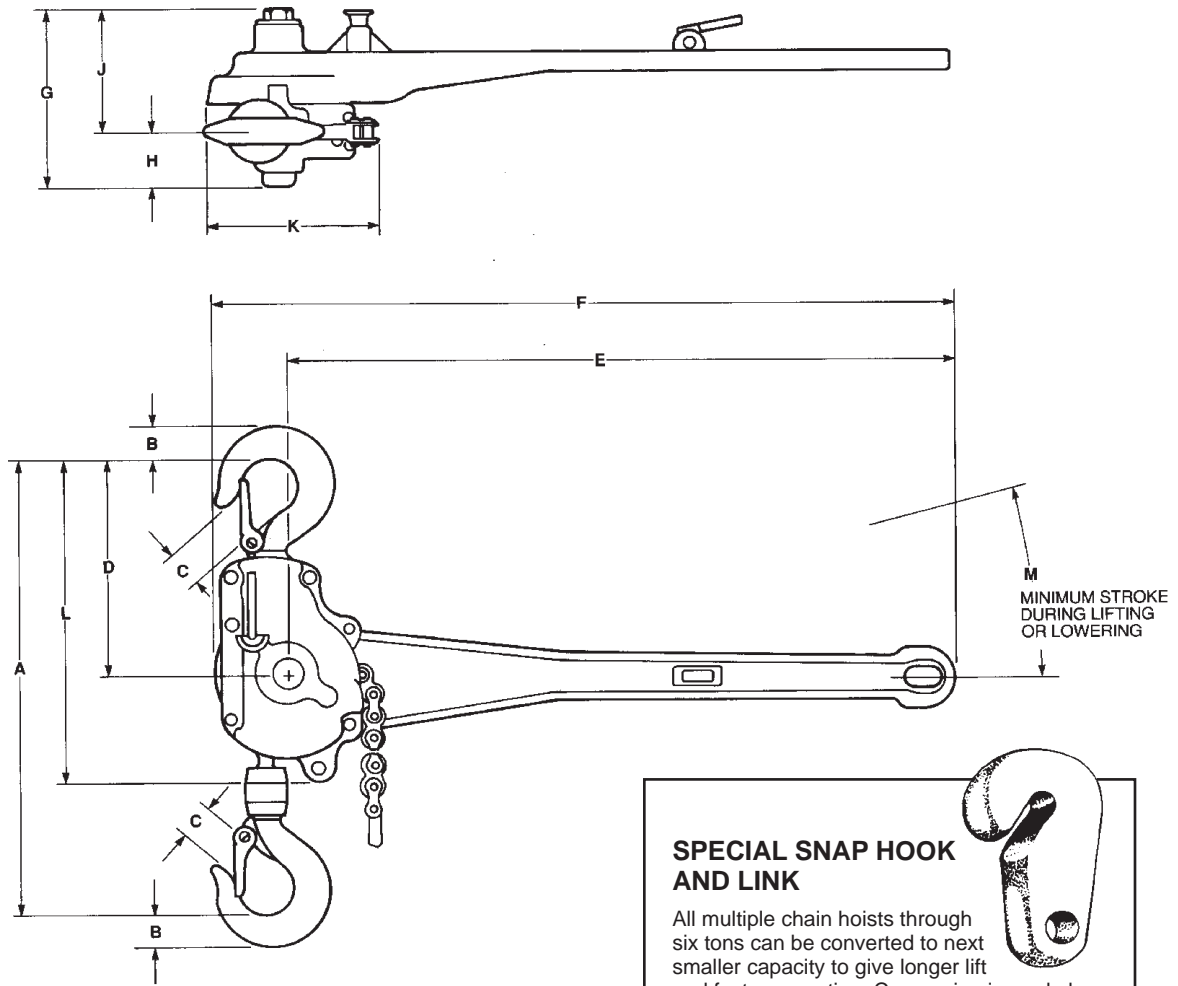
Model Number	Rated Load		A	B	C*	D	E	F	G	H	J	K	L	M
	(Lbs.)	(Ton)												
RA-15	1500	3/4	127/16	1	1	6	20 1/2	23	4 5/8	1 5/8	3	5 1/4	9	36°
RA-20	2000	3/4	127/16	1	1	6	20 1/2	23	4 5/8	1 5/8	3	5 1/4	9	36°
RA-15-2	3000	1 1/2	17 1/4	1 5/16	1	7 1/8	20 1/2	23 3/4	4 5/8	1 5/8	3	5 5/8	10 1/8	36°
RA-30	3000	1 1/2	13 3/4	1 1/8	1 1/8	7 1/4	20 1/2	24 3/4	7	2 7/8	4 1/8	6 7/8	10 1/4	36°
RA-40	4000	1 1/2	13 3/4	1 1/8	1 1/8	7 1/4	20 1/2	24 3/4	7	2 7/8	4 1/8	6 7/8	10 1/4	36°
RA-30-2	6000	2	17 1/4	1 1/4	1 11/16	6 7/8	20 1/2	24 3/4	7	2 7/8	4 1/8	7 1/4	9 7/8	36°
RA-30-3	9000	4 1/2	22	1 3/8	1 11/16	7 1/2	20 1/2	24 3/4	7	2 7/8	4 1/8	8 1/8	10 1/2	36°
RA-30-4	12000	6	22	1 3/4	1 11/16	8 1/2	20 1/2	24 3/4	7	2 7/8	4 1/8	9 3/4	11 1/2	36°

* Hook throat opening with latch.

Note: Where clearance dimensions are critical, request certified print.

All dimensions are in inches unless otherwise indicated.

G Series 3/4 - 15 Ton



SPECIAL SNAP HOOK AND LINK

All multiple chain hoists through six tons can be converted to next smaller capacity to give longer lift and faster operation. Conversion is made by simply unhooking the special snap hook at the end of the chain. The snap hook acts as a lug and will not pass through the chain sprocket.

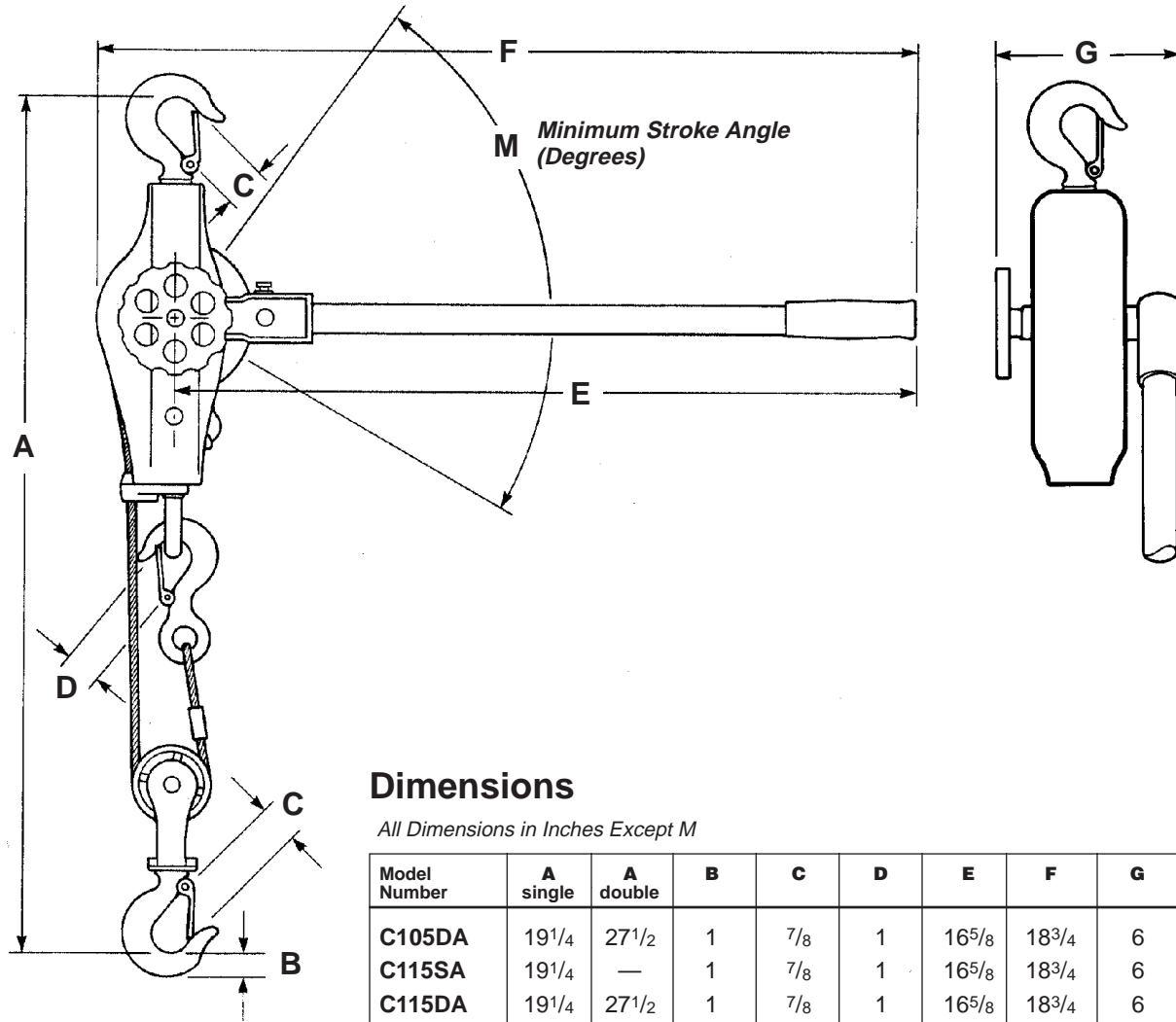
Dimensions

Model Number	A	B	C*	D	E	F	G	H	J	K	L	M
AG	13	1	1	6 ¹ / ₄	18 ³ / ₄	20 ³ / ₄	5	1 ¹ / ₂	3 ¹ / ₂	4 ¹ / ₂	9 ¹ / ₄	60°
AGI ¹	13	1	1	6 ¹ / ₄	18 ³ / ₄	20 ³ / ₄	5	1 ¹ / ₂	3 ¹ / ₂	4 ¹ / ₂	9 ¹ / ₄	30°
ATG ²	15	1	1	6 ¹ / ₄	18 ³ / ₄	20 ³ / ₄	5	1 ¹ / ₂	3 ¹ / ₂	4 ¹ / ₂	9 ¹ / ₄	60°
ATGI ^{1, 2}	15	1	1	6 ¹ / ₄	18 ³ / ₄	20 ³ / ₄	5	1 ¹ / ₂	3 ¹ / ₂	4 ¹ / ₂	9 ¹ / ₄	30°
FG	16	1 ¹ / ₈	1 ¹ / ₈	7	27 ⁵ / ₈	29 ⁷ / ₈	6 ¹ / ₄	1 ³ / ₄	4 ¹ / ₂	5 ³ / ₄	10 ¹ / ₄	60°
FGI ¹	16	1 ¹ / ₈	1 ¹ / ₈	7	27 ⁵ / ₈	29 ⁷ / ₈	6 ¹ / ₄	1 ³ / ₄	4 ¹ / ₂	5 ³ / ₄	10 ¹ / ₄	30°
FTG ³	17 ⁵ / ₈	1 ¹ / ₈	1 ¹ / ₈	7 ³ / ₈	27 ⁵ / ₈	29 ⁷ / ₈	6 ¹ / ₄	1 ³ / ₄	4 ¹ / ₂	5 ³ / ₄	10 ⁵ / ₈	60°
FTGI ^{1, 3}	17 ⁵ / ₈	1 ¹ / ₈	1 ¹ / ₈	7 ³ / ₈	27 ⁵ / ₈	29 ⁷ / ₈	6 ¹ / ₄	1 ³ / ₄	4 ¹ / ₂	5 ³ / ₄	10 ⁵ / ₈	30°
ZG-4 ¹ / ₂ ⁴ , ZG-6 ⁵	25	1 ¹³ / ₁₆	1 ¹¹ / ₁₆	8 ¹ / ₄	33 ⁵ / ₈	36 ¹ / ₈	6 ¹ / ₈	1 ¹¹ / ₁₆	4 ⁷ / ₁₆	6 ¹ / ₈	12 ⁷ / ₈	60°
WG-9, WG-13 WG-11, WG-15	30	2 ¹ / ₈	1 ⁵ / ₈	9 ¹ / ₈	33 ⁵ / ₈	41 ³ / ₈	6 ³ / ₈	1 ³ / ₄	4 ⁵ / ₈	13 ¹ / ₂	14 ⁵ / ₈	60°

¹Double Pawls — can be operated with half strokes of lever for use in close quarters.
²Convertible model — 1 chain 3/4 ton, 112" lift. 2 chains 1 1/2 tons, 57" lift.
³Convertible model — 1 chain 1 1/2 tons, 112" lift. 2 chains 3 tons, 57" lift.
⁴Convertible model — 2 chain 3 tons, 76" lift. 3 chains 4 1/2 tons, 51" lift.
⁵Convertible model — 3 chain 4 1/2 tons, 70" lift. 4 chains 6 tons, 53" lift.
 All dimensions are in inches unless otherwise indicated.

**Minimum stroke on double locking pawl models (AGI, ATGI, FGI, FTGI) one-half (30°) that of single locking pawl models (AG, ATG, FG, FTG). Where clearance dimensions are critical, request certified print.

Cable Models ³/₄ - 2 Ton



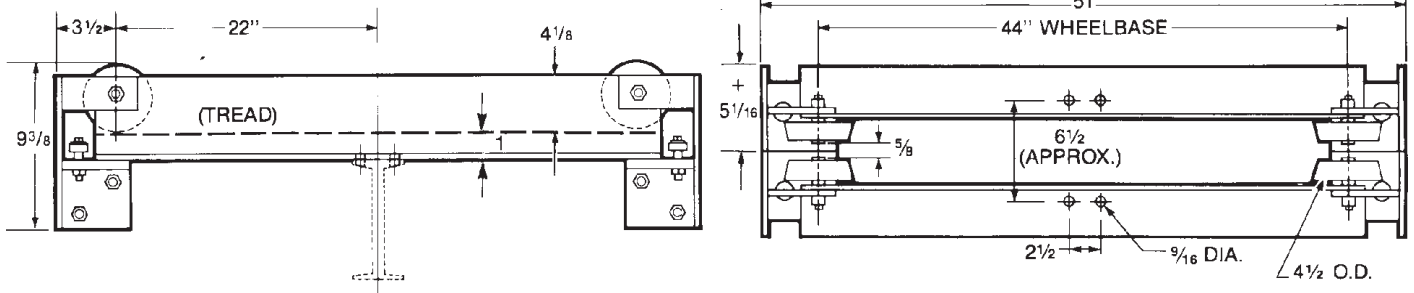
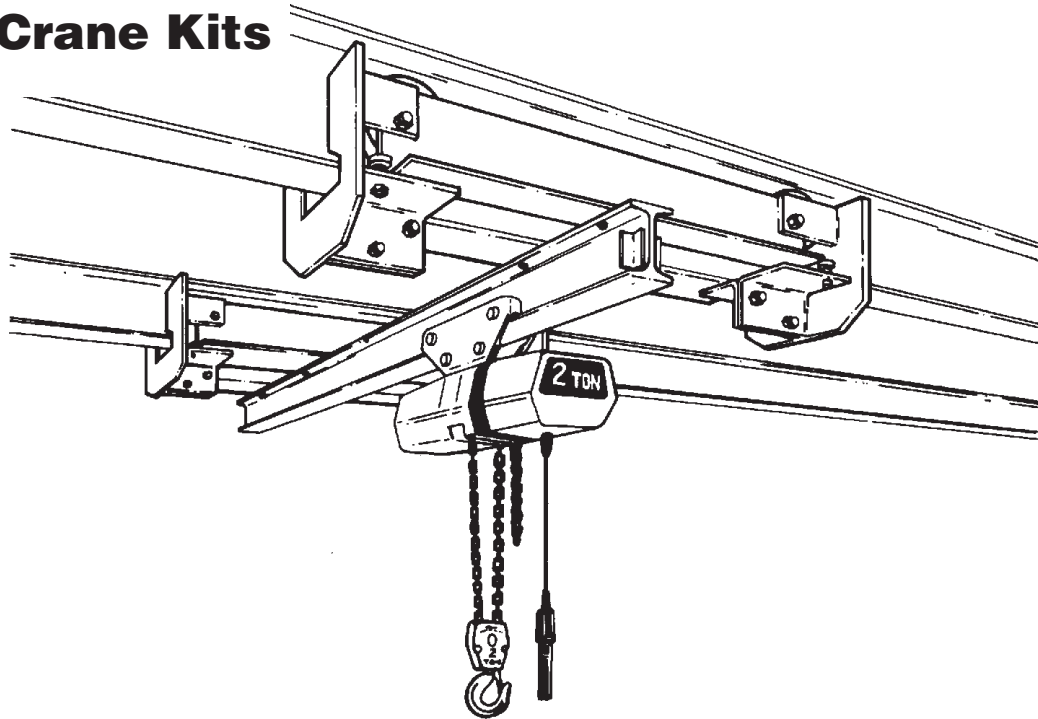
Dimensions

All Dimensions in Inches Except M

Model Number	A single	A double	B	C	D	E	F	G	M
C105DA	19 ¹ / ₄	27 ¹ / ₂	1	7/8	1	16 ⁵ / ₈	18 ³ / ₄	6	25°
C115SA	19 ¹ / ₄	—	1	7/8	1	16 ⁵ / ₈	18 ³ / ₄	6	25°
C115DA	19 ¹ / ₄	27 ¹ / ₂	1	7/8	1	16 ⁵ / ₈	18 ³ / ₄	6	25°
C505NA	19 ³ / ₄	—	1	7/8	1	20 ³ / ₄	23	6	25°
C202WNA	19 ³ / ₄	27 ⁷ / ₈	1	7/8	1	20 ³ / ₄	23	6	25°
C434WNA	20 ³ / ₄	29 ¹ / ₄	11/16	7/8	1	21 ¹ / ₄	23 ³ / ₄	6 ¹ / ₂	23°
C430CDPA	22 ³ / ₄	33 ³ / ₄	13/16	13/16	1 ¹ / ₄	21 ¹ / ₄	23 ³ / ₄	6 ¹ / ₂	23°
C404WNA	21 ¹ / ₄	29 ¹ / ₂	11/16	7/8	1	25 ¹ / ₄	27 ³ / ₄	6 ¹ / ₂	23°

Bridge Crane Kits

2 Ton



Specifications

Rated Load (Lbs.)	Beam Height (Ins.)	Flange Width (Ins.)	Weight (Lbs.)	Model Number
4000	6	3.25-3.45	254	BCD-4000-6
4000	6-8	3.25-4.15	265	BCD-4000-8
4000	6-10	3.25-4.81	276	BCD-4000-10
4000	6-12	3.25-5.15	282	BCD-4000-12

Bridging Capabilities

Rated Load* (Lb.)	10 Ft. Span Beam Size	12.5 Ft. Span Beam Size	15 Ft. Span Beam Size	17.5 Ft. Span Beam Size	20 Ft. Span Beam Size	22.5 Ft. Span Beam Size	25 Ft. Span Beam Size	27.5 Ft. Span Beam Size	30 Ft. Span Beam Size
500	6" x 12.5#	6" x 12.5#	6" x 12.5#	6" x 12.5#	6" x 12.5#	6" x 12.5#	7" x 15.3#	7" x 15.3#	7" x 20#
1000	6" x 12.5#	7" x 15.3#	7" x 15.3#	7" x 15.3#	7" x 20#	8" x 18.4#	8" x 23#	10" x 25.4#	10" x 25.4#
2000	7" x 15.3#	8" x 18.4#	8" x 23#	10" x 25.4#	10" x 25.4#	10" x 35#	12" x 31.8#	12" x 31.8#	12" x 35#
3000	8" x 23#	10" x 25.4#	10" x 35#	12" x 31.8#	12" x 35#	15" x 42.9#	15" x 42.9#	15" x 42.9#	15" x 42.9#
4000	10" x 25.4#	10" x 35#	12" x 31.8#	15" x 42.9#	15" x 42.9#	15" x 42.9#	15" x 42.9#	—	—

* Chain hoist and trolley included in load rating. Loads are based on ASTM-A7 steel beams or equal.

Note: Beam weights are per foot of beam. Multiply weight figure shown by length (in feet) of span beam used, in computing total installed weight.

Caution: Be sure runway beams are parallel, level and structurally capable of supporting the loads you intend to carry — including the weight of the span beam, bridge unit, hoist, trolley and other accessories. Use a minimum safety factor of 5:1. If in doubt, consult a qualified Structural Engineer.

Electrified Articulated Jib Arm

Model Number	Capacity Lbs. (kg.)	Reach Ft. (m)	A	B	E
LIGHT DUTY MODELS					
CEJ310-8	310 (141)	8 (2.4)	56"	40"	90"
CEJ280-9	280 (127)	9 (2.7)	63"	45"	90"
CEJ250-10	250 (114)	10 (3.0)	70"	50"	90"
CEJ230-11	238 (108)	11 (3.3)	77"	55"	90"
CEJ210-12	210 (96)	12 (3.6)	84"	60"	90"
CEJ190-13	190 (86)	13 (3.9)	91"	65"	90"
CEJ180-14	180 (82)	14 (4.2)	98"	70"	90"
CEJ170-15	170 (77)	15 (4.5)	105"	75"	90"

Reference Dimensions:

G is 3 7/8" H is 18 1/8" E + 16 1/4" = F

STANDARD DUTY MODELS					
CEJ1250-8	1250 (569)	8 (2.4)	56"	40"	98"
CEJ1110-9	1110 (505)	9 (2.7)	63"	45"	98"
CEJ1000-10	1000 (455)	10 (3.0)	70"	50"	98"
CEJ910-11	910 (414)	11 (3.3)	77"	55"	98"
CEJ835-12	835 (380)	12 (3.6)	84"	60"	98"
CEJ770-13	770 (350)	13 (3.9)	91"	65"	98"
CEJ715-14	715 (325)	14 (4.2)	98"	70"	98"
CEJ665-15	665 (302)	15 (4.5)	105"	75"	98"

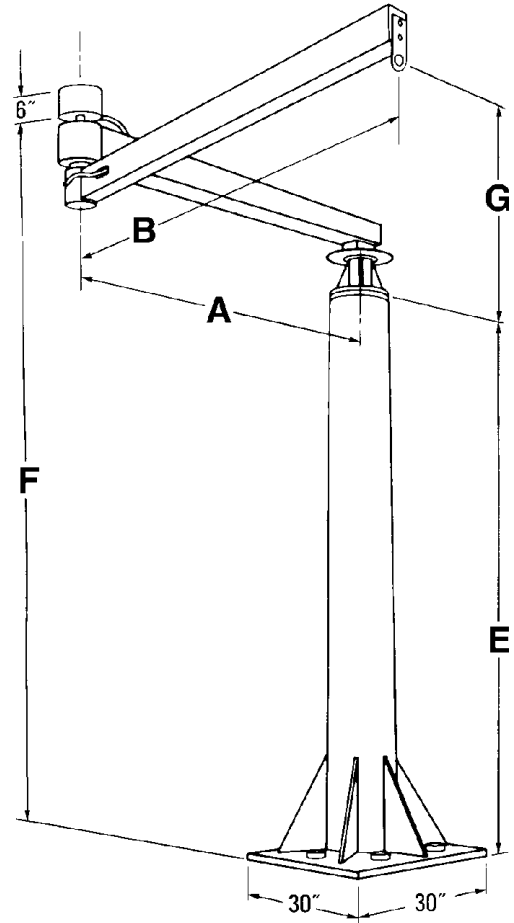
Reference Dimensions:

G is 6 1/4" H is 31 5/8" E + 26 1/2" = F

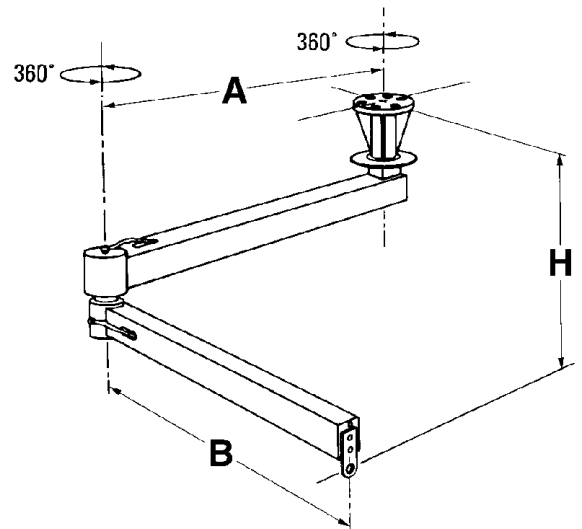
HEAVY DUTY MODELS					
CEJ2000-8	2000 (910)	8 (2.4)	56"	40"	98"
CEJ1785-9	1785 (814)	9 (2.7)	63"	45"	98"
CEJ1600-10	1600 (728)	10 (3.0)	70"	50"	98"
CEJ1460-11	1460 (664)	11 (3.3)	77"	55"	98"
CEJ1340-12	1340 (609)	12 (3.6)	84"	60"	98"
CEJ1256-13	1256 (562)	13 (3.9)	91"	65"	98"
CEJ1150-14	1150 (523)	14 (4.2)	98"	70"	98"
CEJ1071-15	1071 (487)	15 (4.5)	105"	75"	98"
CEJ1000-16	1000 (455)	16 (4.8)	112"	80"	98"

Reference Dimensions:

G is 11 3/4" H is 44 1/2" E + 36 1/2" = F



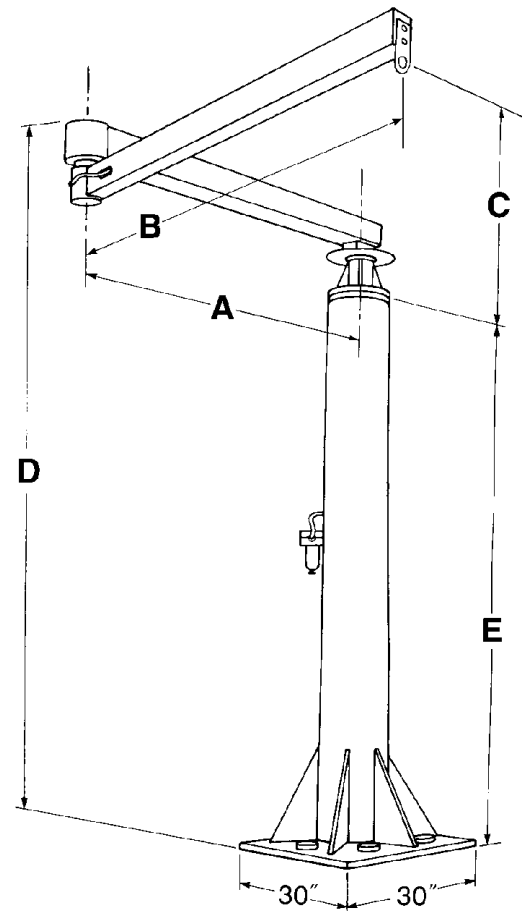
Pedestal Unit



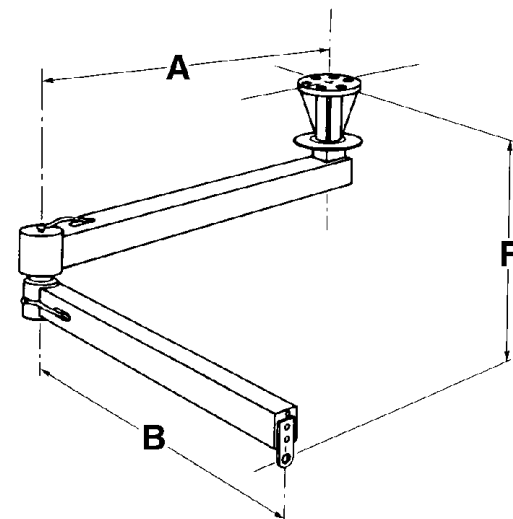
Overhead-Mounted Unit

Articulated Jib Arm With Air Piping

Model Number	Capacity Lbs. (kg.)	Reach Ft. (m)	A	B	C	D	E	F
LIGHT DUTY MODELS								
CAJ310-8	310 (141)	8 (2.4)	56"	40"	37/8"	106 1/4"	90"	18 1/8"
CAJ280-9	280 (127)	9 (2.7)	63"	45"	37/8"	106 1/4"	90"	18 1/8"
CAJ250-10	250 (114)	10 (3.0)	70"	50"	37/8"	106 1/4"	90"	18 1/8"
CAJ230-11	230 (108)	11 (3.3)	77"	55"	37/8"	106 1/4"	90"	18 1/8"
CAJ210-12	210 (96)	12 (3.6)	84"	60"	37/8"	106 1/4"	90"	18 1/8"
CAJ190-13	190 (86)	13 (3.9)	91"	65"	37/8"	106 1/4"	90"	18 1/8"
CAJ180-14	180 (82)	14 (4.2)	98"	70"	37/8"	106 1/4"	90"	18 1/8"
CAJ170-15	170 (77)	15 (4.5)	105"	75"	37/8"	106 1/4"	90"	18 1/8"
STANDARD DUTY MODELS								
CAJ1250-8	1250 (569)	8 (2.4)	56"	40"	6 1/4"	124 1/2"	98"	31 5/8"
CAJ1110-9	1110 (505)	9 (2.7)	63"	45"	6 1/4"	124 1/2"	98"	31 5/8"
CAJ1000-10	1000 (455)	10 (3.0)	70"	50"	6 1/4"	124 1/2"	98"	31 5/8"
CAJ910-11	910 (414)	11 (3.3)	77"	55"	6 1/4"	124 1/2"	98"	31 5/8"
CAJ835-12	835 (380)	12 (3.6)	84"	60"	6 1/4"	124 1/2"	98"	31 5/8"
CAJ770-13	770 (350)	13 (3.9)	91"	65"	6 1/4"	124 1/2"	98"	31 5/8"
CAJ715-14	715 (325)	14 (4.2)	98"	70"	6 1/4"	124 1/2"	98"	31 5/8"
CAJ665-15	665 (302)	15 (4.5)	105"	75"	6 1/4"	124 1/2"	98"	31 5/8"
HEAVY DUTY MODELS								
CAJ2000-8	2000 (910)	8 (2.4)	56"	40"	11 3/4"	187"	98"	44 1/2"
CAJ1785-9	1785 (814)	9 (2.7)	63"	45"	11 3/4"	187"	98"	44 1/2"
CAJ1600-10	1600 (728)	10 (3.0)	70"	50"	11 3/4"	187"	98"	44 1/2"
CAJ1460-11	1460 (664)	11 (3.3)	77"	55"	11 3/4"	187"	98"	44 1/2"
CAJ1340-12	1340 (609)	12 (3.6)	84"	60"	11 3/4"	187"	98"	44 1/2"
CAJ1256-13	1256 (562)	13 (3.9)	91"	65"	11 3/4"	187"	98"	44 1/2"
CAJ1150-14	1150 (523)	14 (4.2)	98"	70"	11 3/4"	187"	98"	44 1/2"
CAJ1071-15	1071 (487)	15 (4.5)	105"	75"	11 3/4"	187"	98"	44 1/2"
CAJ1000-16	1000 (455)	16 (4.8)	112"	80"	11 3/4"	187"	98"	44 1/2"



Pedestal Unit



Overhead-Mounted Unit



WARRANTY

Every hoist is thoroughly inspected and tested prior to shipment from the factory. Should any problem develop, return the complete hoist prepaid to your nearest Coffing Hoists Authorized Warranty Repair Station.

If inspection reveals that the problem is caused by defective workmanship or material, repairs will be made without charge and the hoist will be returned, transportation prepaid. This warranty does not apply where: **(1)** deterioration is caused by normal wear, abuse, improper or inadequate power supply, eccentric or side loading, overloading, chemical or abrasive actions, improper maintenance, or excessive heat; **(2)** problems resulted from repairs, modifications, or alterations made by persons other than factory or Coffing Authorized Warranty Repair Station personnel; **(3)** the hoist has been abused or damaged as a result of an accident; **(4)** repair parts or accessories other than those supplied by Coffing Hoists are used on the hoist. Equipment and accessories not of the seller's manufacture are warranted by the manufacturer. Except as stated herein, Coffing Hoists makes no other warranties, express or implied, including warranties of merchantability and fitness for a particular purpose.



For more information contact:
American Crane & Equipment Corp.
Authorized Distributor
Tel: 877-503-2972
Fax: 484-945-0430
sales@americancrane.com
www.americancrane.com

⚠ WARNING

Overloading and Improper Use Can Result In Injury

To Avoid Injury:

- Do not exceed working load limit, load rating, or capacity.
- Do not use to lift people or loads over people.
- Use only alloy chain and attachments for overhead lifting.
- Read and follow all instructions.