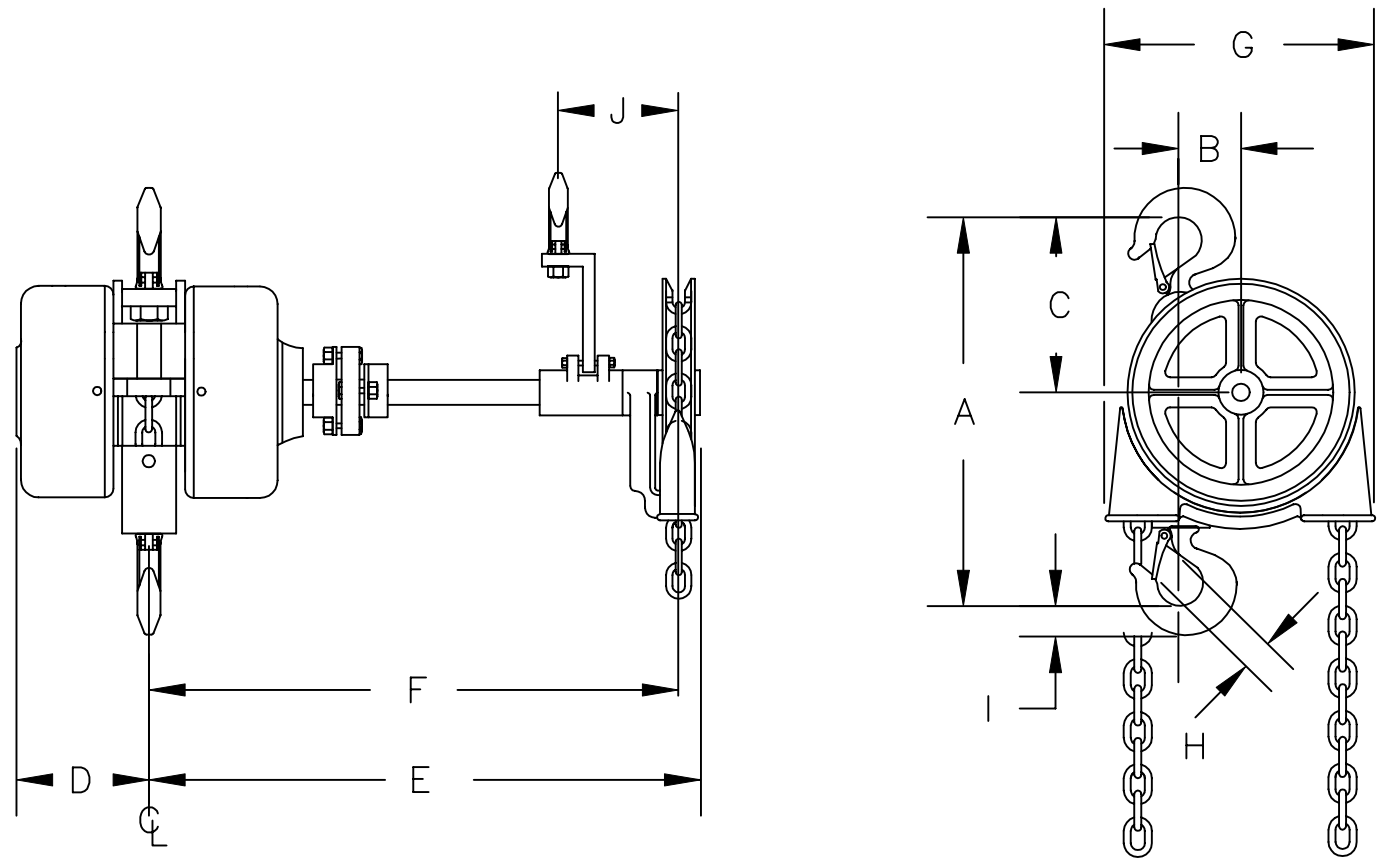


FOR MORE INFO CONTACT: American Crane & Equipment Corp. - Authorized Distributor
 Tel: 877-503-2972 Fax: 484-945-0430 Email: sales@americancrane.com Website: www.americancrane.com

- A 12 1/8"
- B 1 3/8"
- C 6 7/16"
- D 4 1/4"
- E 37 3/16"
- F 36"
- G 11 1/8"
- * H 1"
- * I 1"
- J 6 9/16"



* DIM. FOR TOP & BOTTOM HOOK

		1/4 - 1/2 - 1 TON EXTENDED HAND WHEEL HOIST		DR. RLB	TR.	CK.	AP.
		CHESTER HOIST		SCALE NONE		DATE 6-19-00	
		LISBON, OHIO		REF. DWG. NO. 1EXTH			
				Dwg. No. CD030			
MK.	REVISIONS	CK-DATE					