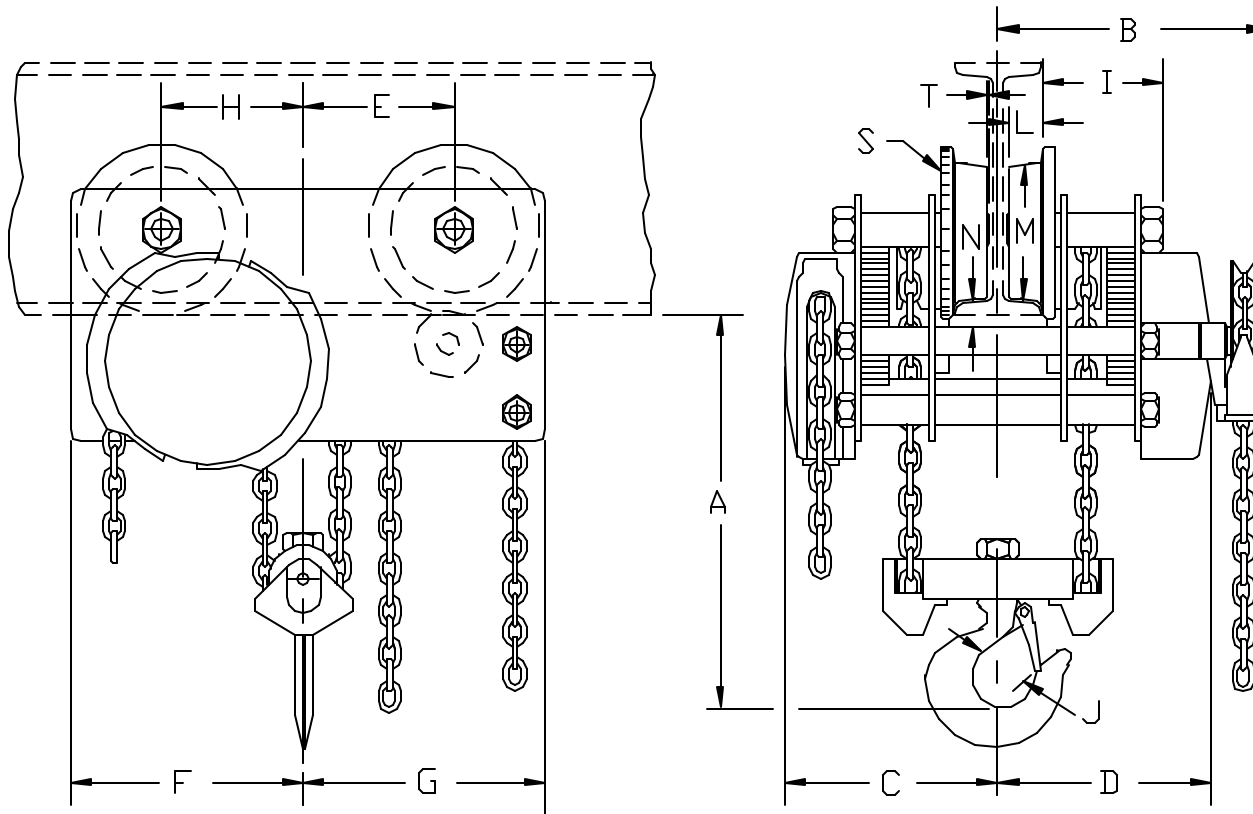


FOR MORE INFO CONTACT: American Crane & Equipment Corp. - Authorized Distributor
 Tel: 877-503-2972 Fax: 484-945-0430 Email: sales@americancrane.com Website: www.americancrane.com

PC#1 NO. REQ. 1



**	A	7 3/8"
**	B	13 1/16"
	C	10 3/16"
	D	10 3/16"
	E	6 1/2"
	F	10 5/8"
	G	10 5/8"
	H	6 5/8"
	I	6 3/8"
	J	1 11/32"
	L	1 11/32"
#*	M	6 3/8"
#*	N	15/16"
^	S	8"
^	T	1/4"

* TO WHEEL RUNNING SURFACE OF BEAM
 ** "B" APPLIES TO GEARED UNITS ONLY - FOR PLAIN UNITS DIM. "C" & "D" ARE MAX. 1/2 WIDTH
 # TO UNDER BEAM ROLLER - (CLOSEST POINT OF CONTACT)
 ^ FROM THE FACE OF WHEEL TO END OF AXLE
 CUSTOMER MUST TAKE INTO CONSIDERATION FLANGE WIDTH AND THICKNESS OF BEAM
 DIM. SHOWN ARE CORRECT FOR ANY "S" OR "W" BEAM, (FLAT TREAD WHEELS, NOT SHOWN, ARE SUPPLIED FOR "W" BEAM APPLICATIONS)

		3 TON LOW HEADROOM HOIST		DR. RLB	TR.	CK.	AP.
		CHESTER HOIST LISBON, OHIO		SCALE NONE		DATE 6-19-00	
				REF. DWG. NO. ZLG31 UPDATED			
R1	TON CHG. RLB 10/15/02			Dwg. No. CD054			
NK.	REVISIONS	CK-DATE					