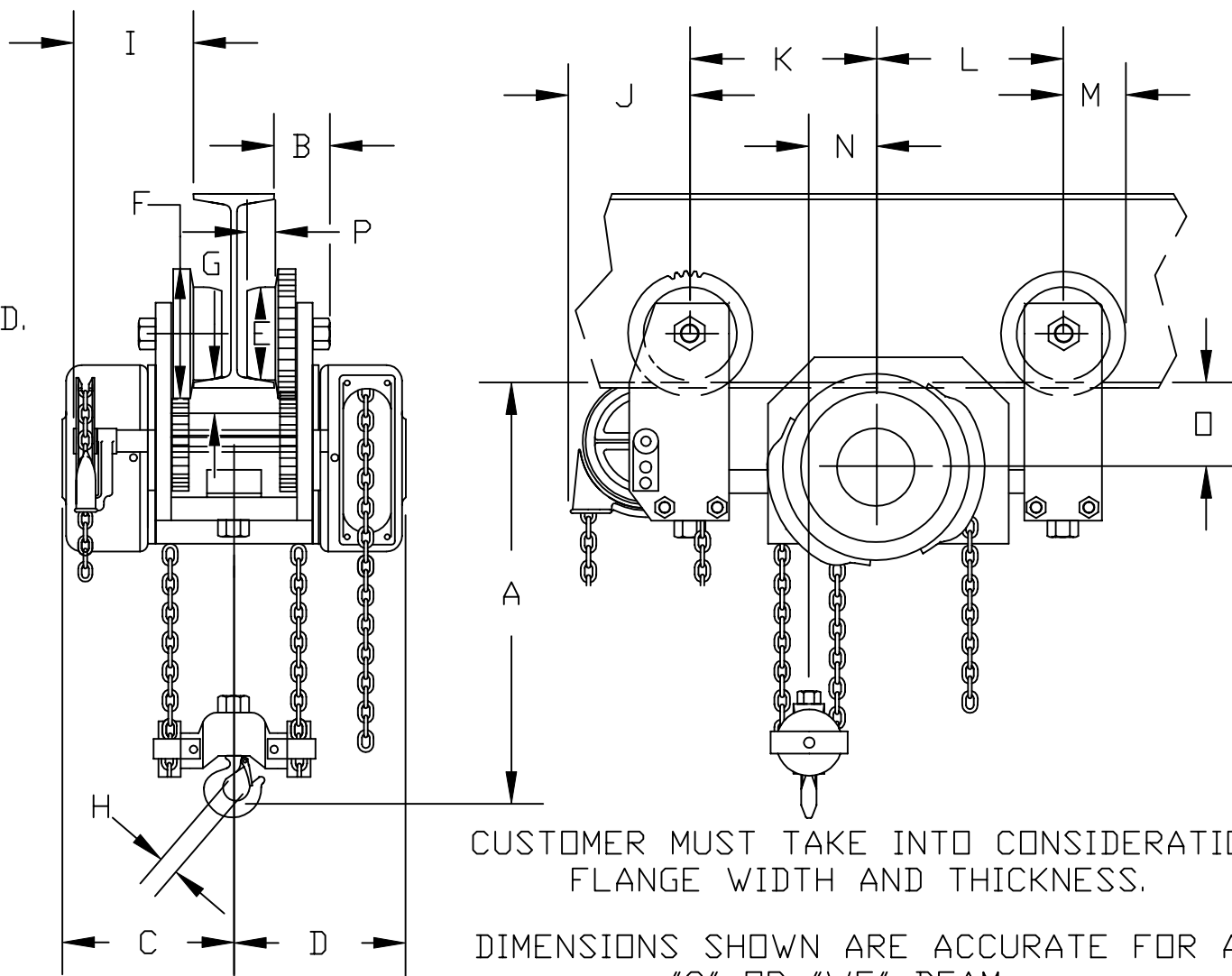


- A 6 3/4"
- B 2 3/16"
- C 9 1/8"
- D 9 1/8"
- E 4 1/2" WH'L. TREAD O.D.
- F 6" WH'L. FLG. O.D.
- G 3/4" PLAIN OR GEARED
- H 1 1/8"
- * I 7 3/16"
- * J 6 1/4"
- K 11 3/8"
- L 7 5/8"
- M 3"
- N 3"
- 1 7/8" P 1 7/64"
- *GEARED UNITS ONLY
UNIT NOT ADJUSTABLE



CUSTOMER MUST TAKE INTO CONSIDERATION
FLANGE WIDTH AND THICKNESS.

DIMENSIONS SHOWN ARE ACCURATE FOR ANY
"S" OR "WF" BEAM

FLAT TREAD WHEELS (NOT SHOWN) SUPPLIED FOR "WF" BEAM APPLICATIONS

MK.	REVISIONS	CK-DATE

1 1/2 & 2 TON SWIVEL TRUCK
LOW HEADROOM

CHESTER HOIST
LISBON, OHIO

DR. RLB	TR.	CK.	AP.
SCALE NONE		DATE 6-19-00	
REF. DWG. NO.		CL11-2ST	
Dwg. No. CD049			