

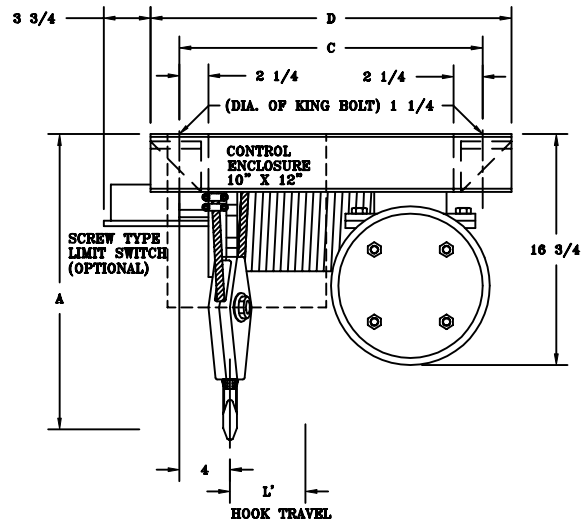
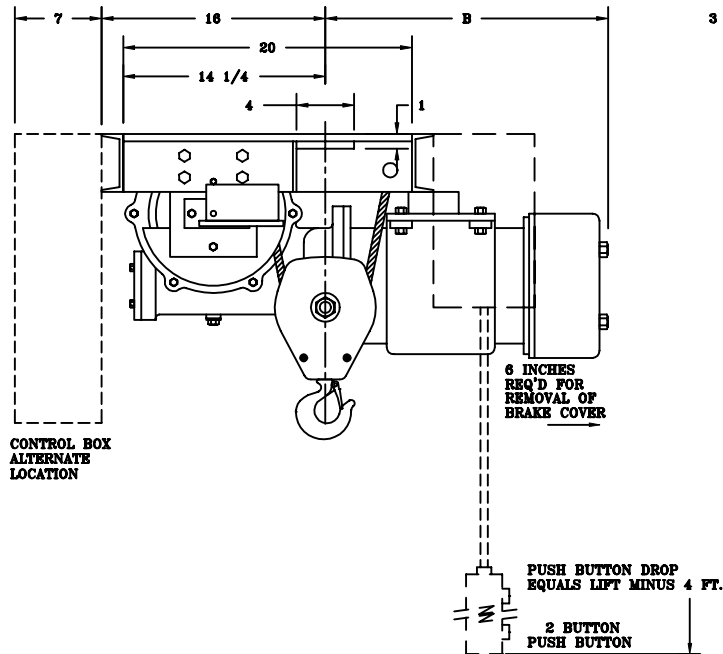
CHESTER HOIST

WORM DRIVE HOIST
DATA SHEET E-1AS

CAPACITY 1-1 1/2 TON

STANDARD HEADROOM
LUG TYPE - R

SINGLE HOOK MONORAIL
2-PART SINGLE



ALL DIMENSIONS IN INCHES

MODEL NUMBER	CAPACITY (lbs.)	SPEED (fpm)	LIFT (ft.)	REEVING	MOTOR (hp)	A	B	C	D	L'	APPROX. WT. (lbs.)
WD-127S	2000	20	24	2PS-1/4	2 ● 1200	18	20 1/2	21 1/2	25	4 1/4	500
WD-128S	2000	20	45	2PS-1/4	2 ● 1200	18	20 1/2	28	31 1/2	7 1/2	550
WD-129S	2000	20	66	2PS-1/4	2 ● 1200	18	20 1/2	34 1/2	38	11	600
WD-129BS	2000	20	98	2PS-1/4	2 ● 1200	18	20 1/2	44 1/2	48	16	680
WD-120S	2000	30	24	2PS-1/4	3 ● 1800	18	20 1/2	21 1/2	25	4 1/4	500
WD-121S	2000	30	45	2PS-1/4	3 ● 1800	18	20 1/2	28	31 1/2	7 1/2	550
WD-122S	2000	30	66	2PS-1/4	3 ● 1800	18	20 1/2	34 1/2	38	11	600
WD-122BS	2000	30	98	2PS-1/4	3 ● 1800	18	20 1/2	44 1/2	48	16	680
WD-123S	2000	40	24	2PS-1/4	4 ● 1800	18	20 1/2	21 1/2	25	4 1/4	500
WD-124S	2000	40	45	2PS-1/4	4 ● 1800	18	20 1/2	28	31 1/2	7 1/2	550
WD-125S	2000	40	66	2PS-1/4	4 ● 1800	18	20 1/2	34 1/2	38	11	600
WD-125BS	2000	40	98	2PS-1/4	4 ● 1800	18	20 1/2	44 1/2	48	16	680
WD-130S	3000	20	18	2PS-5/16	3 ● 1200	20	20 1/2	21 1/2	25	4 1/4	500
WD-131S	3000	20	35	2PS-5/16	3 ● 1200	20	20 1/2	28	31 1/2	7 1/2	550
WD-132S	3000	20	52	2PS-5/16	3 ● 1200	20	20 1/2	34 1/2	38	11	600
WD-133S	3000	30	18	2PS-5/16	5 ● 1800	20	20 1/2	21 1/2	25	4 1/4	500
WD-134S	3000	30	35	2PS-5/16	5 ● 1800	20	20 1/2	28	31 1/2	7 1/2	550
WD-135S	3000	30	52	2PS-5/16	5 ● 1800	20	20 1/2	34 1/2	38	11	600
WD-136S	3000	40	18	2PS-5/16	6 ● 1800	20	23 1/2	21 1/2	25	4 1/4	525
WD-137S	3000	40	35	2PS-5/16	6 ● 1800	20	23 1/2	28	31 1/2	7 1/2	575
WD-138S	3000	40	52	2PS-5/16	6 ● 1800	20	23 1/2	34 1/2	38	11	625

NOTE: WHEN USING SCREW TYPE LIMIT SWITCH ADD 1 INCH TO HEADROOM.

FOR MORE INFO CONTACT: American Crane & Equipment Corp. - Authorized Distributor

Tel: 877-503-2972 Fax: 484-945-0430 Email: sales@americancrane.com Website: www.americancrane.com