

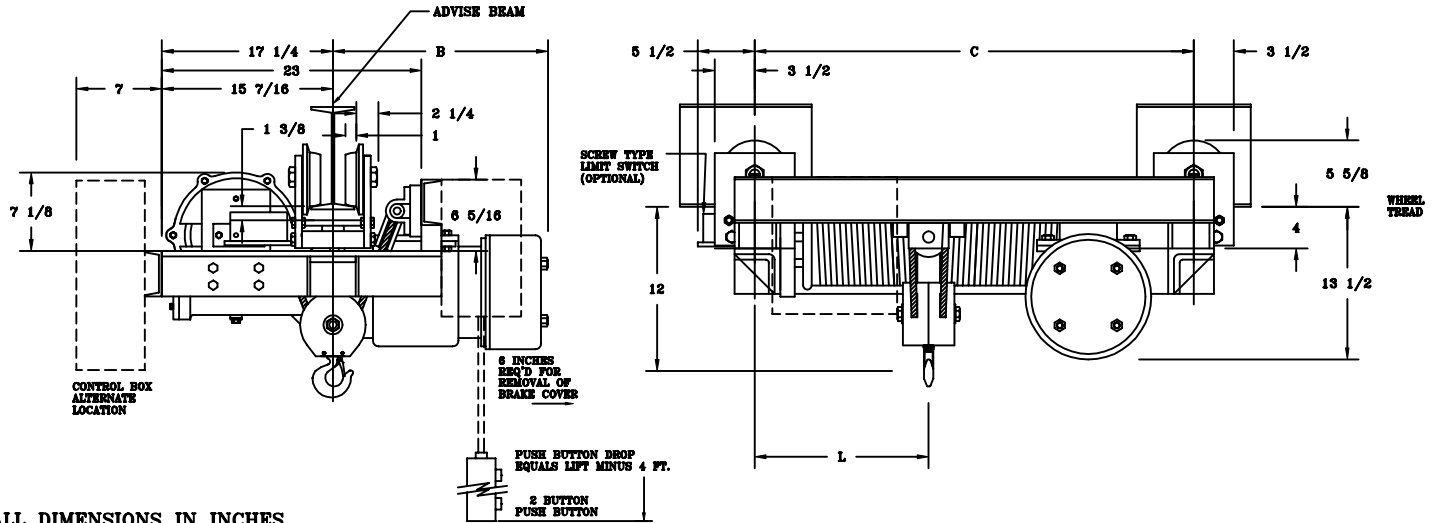
CHESTER HOIST

WORM DRIVE HOIST
 DATA SHEET E-26AS

CAPACITY 1-1 1/2 TON

LOW HEADROOM
 PLAIN TROLLEY TYPE-R

SINGLE HOOK MONORAIL
 2-PART DOUBLE



ALL DIMENSIONS IN INCHES

| MODEL NUMBER | CAPACITY (lbs.) | SPEED (fpm) | LIFT (ft.) | REEVING | MOTOR (hp) | B | C | L | ST'D. I-BEAM | | APPROX. WT. (lbs.) |
|--------------|-----------------|-------------|------------|---------|------------|--------|--------|--------|--------------|--------|--------------------|
| | | | | | | | | | SIZE | CLEAR* | |
| WDT-28S | 2000 | 20 | 16 | 2PD-1/4 | 2 @ 1200 | 19 1/4 | 36 1/4 | 12 | 7-12 | 7/8 | 700 |
| WDT-29S | 2000 | 20 | 26 | 2PD-1/4 | 2 @ 1200 | 19 1/4 | 42 3/4 | 15 1/4 | 7-12 | 7/8 | 750 |
| WDT-29AS | 2000 | 20 | 42 | 2PD-1/4 | 2 @ 1200 | 19 1/4 | 52 3/4 | 20 1/4 | 7-12 | 7/8 | 800 |
| WDT-29BS | 2000 | 20 | 65 | 2PD-1/4 | 2 @ 1200 | 19 1/4 | 66 3/4 | 27 1/4 | 7-12 | 7/8 | 850 |
| WDT-21S | 2000 | 30 | 16 | 2PD-1/4 | 3 @ 1800 | 19 1/4 | 36 1/4 | 12 | 7-12 | 7/8 | 700 |
| WDT-22S | 2000 | 30 | 26 | 2PD-1/4 | 3 @ 1800 | 19 1/4 | 42 3/4 | 15 1/4 | 7-12 | 7/8 | 750 |
| WDT-22AS | 2000 | 30 | 42 | 2PD-1/4 | 3 @ 1800 | 19 1/4 | 52 3/4 | 20 1/4 | 7-12 | 7/8 | 800 |
| WDT-22BS | 2000 | 30 | 65 | 2PD-1/4 | 3 @ 1800 | 19 1/4 | 66 3/4 | 27 1/4 | 7-12 | 7/8 | 850 |
| WDT-24S | 2000 | 40 | 16 | 2PD-1/4 | 4 @ 1800 | 19 1/4 | 36 1/4 | 12 | 7-12 | 7/8 | 700 |
| WDT-25S | 2000 | 40 | 26 | 2PD-1/4 | 4 @ 1800 | 19 1/4 | 42 3/4 | 15 1/4 | 7-12 | 7/8 | 750 |
| WDT-25AS | 2000 | 40 | 42 | 2PD-1/4 | 4 @ 1800 | 19 1/4 | 52 3/4 | 20 1/4 | 7-12 | 7/8 | 800 |
| WDT-25BS | 2000 | 40 | 65 | 2PD-1/4 | 4 @ 1800 | 19 1/4 | 66 3/4 | 27 1/4 | 7-12 | 7/8 | 850 |
| WDT-31S | 3000 | 20 | 16 | 2PD-1/4 | 3 @ 1200 | 19 1/4 | 36 1/4 | 12 | 7-12 | 7/8 | 700 |
| WDT-32S | 3000 | 20 | 26 | 2PD-1/4 | 3 @ 1200 | 19 1/4 | 42 3/4 | 15 1/4 | 7-12 | 7/8 | 750 |
| WDT-32AS | 3000 | 20 | 42 | 2PD-1/4 | 3 @ 1200 | 19 1/4 | 52 3/4 | 20 1/4 | 7-12 | 7/8 | 800 |
| WDT-32BS | 3000 | 20 | 65 | 2PD-1/4 | 3 @ 1200 | 19 1/4 | 66 3/4 | 27 1/4 | 7-12 | 7/8 | 850 |
| WDT-34S | 3000 | 30 | 16 | 2PD-1/4 | 5 @ 1800 | 19 1/4 | 36 1/4 | 12 | 7-12 | 7/8 | 700 |
| WDT-35S | 3000 | 30 | 26 | 2PD-1/4 | 5 @ 1800 | 19 1/4 | 42 3/4 | 15 1/4 | 7-12 | 7/8 | 750 |
| WDT-35AS | 3000 | 30 | 42 | 2PD-1/4 | 5 @ 1800 | 19 1/4 | 52 3/4 | 20 1/4 | 7-12 | 7/8 | 800 |
| WDT-35BS | 3000 | 30 | 65 | 2PD-1/4 | 5 @ 1800 | 19 1/4 | 66 3/4 | 27 1/4 | 7-12 | 7/8 | 850 |
| WDT-37S | 3000 | 40 | 16 | 2PD-1/4 | 6 @ 1800 | 22 1/4 | 36 1/4 | 12 | 7-12 | 7/8 | 725 |
| WDT-38S | 3000 | 40 | 26 | 2PD-1/4 | 6 @ 1800 | 22 1/4 | 42 3/4 | 15 1/4 | 7-12 | 7/8 | 775 |
| WDT-38AS | 3000 | 40 | 42 | 2PD-1/4 | 6 @ 1800 | 22 1/4 | 52 3/4 | 20 1/4 | 7-12 | 7/8 | 800 |
| WDT-38BS | 3000 | 40 | 65 | 2PD-1/4 | 6 @ 1800 | 22 1/4 | 66 3/4 | 27 1/4 | 7-12 | 7/8 | 850 |

* CLEARANCE BASED ON MAX. "S" BEAM SIZE 12" @ 31.8 LBS.
 TROLLEYS FOR OTHER I-BEAMS AND PATENTED TRACKS ARE AVAILABLE.
 MAXIMUM BEAM FLANGE WIDTH 5 INCHES.
 NOTE: WHEN USING SCREW TYPE LIMIT SWITCH ADD 1 INCH TO HEADROOM.