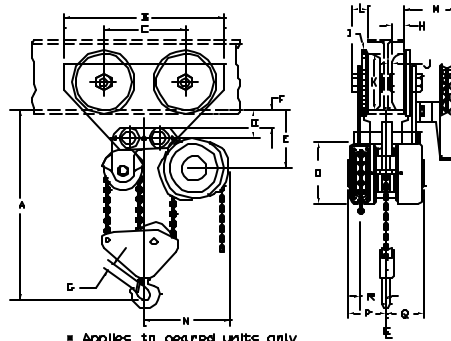


For more info contact: American Crane & Equipment Corp. - Authorized Distributor
 Tel: 877-503-2972 Fax: 484-945-0430 Email: sales@americancrane.com

- A 29 7/8"
- B 19 1/4"
- C 10"
- D 8 5/16"
- E 9"
- *F 1 3/8"
- G 1 1/16"
- H 1 13/32"
- J 9"
- J 1/32"
- K 7 3/16"
- L 9 9/16"
- *M 8 5/8"
- N 11 7/8"
- O 9 3/4"
- P 5"
- Q 5"
- R 3 1/4"



■ Applies to geared units only
 ** At closest point of contact
 This unit is adjustable from 4 5/8" - 8" for
 dimensions shown are accurate for
 45° & 75° beam shapes.

		3 & 6 TON ARMY TYPE HOIST	DR, RLB	TR.	CK.	AP.
		CHESTER HOIST LISBON, OHIO	SCALE NONE		DATE 1/21/05	
			REF. Dwg. No. Szatlayclr			
NO.	REVISIONS	CH-DATE	Dwg. No. CD045			